



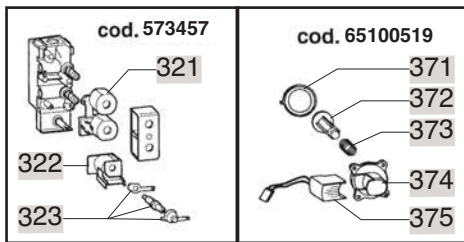
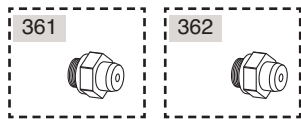
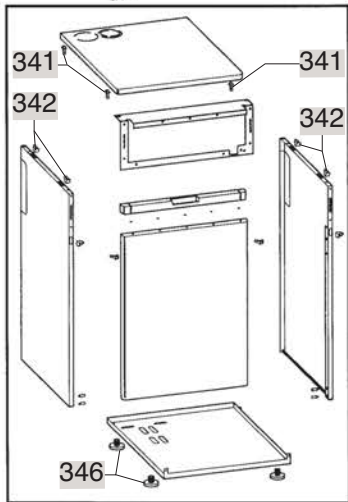
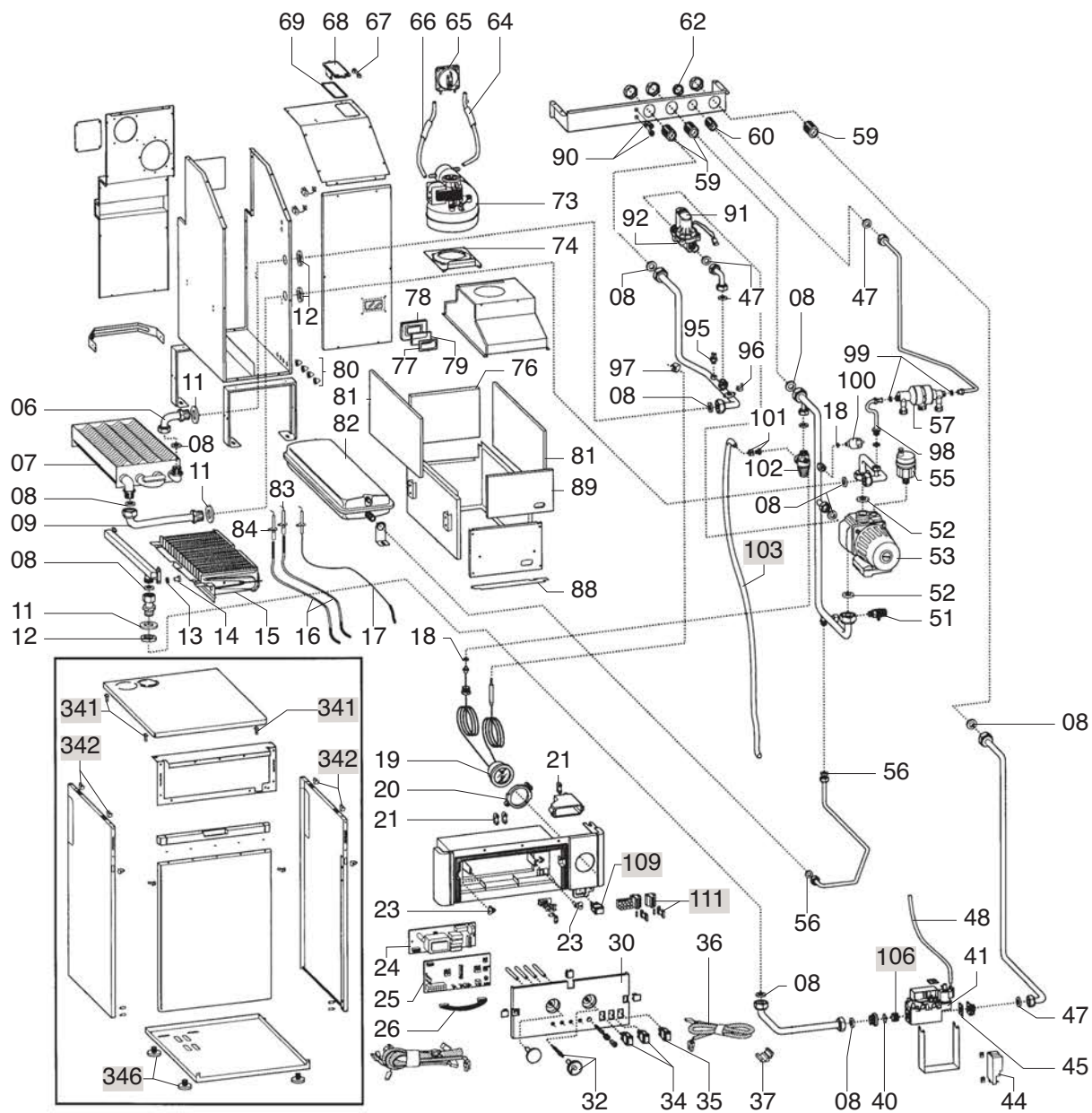
SPARE PARTS EXPLODED VIEW  
GAS-STAND. BOILER ATM. BURNER  
Model  
**GEOMAT 27 RFFI**

R8217594-01 - 26/07/2016

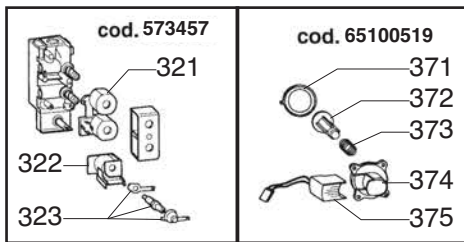
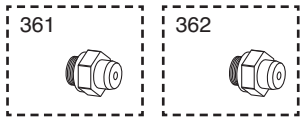
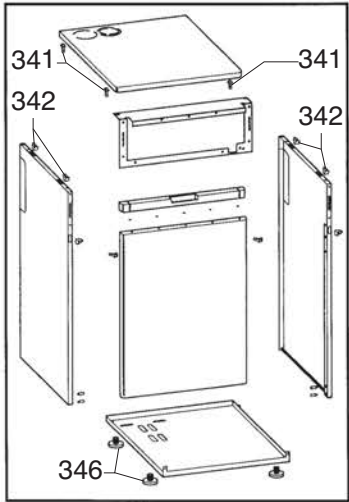
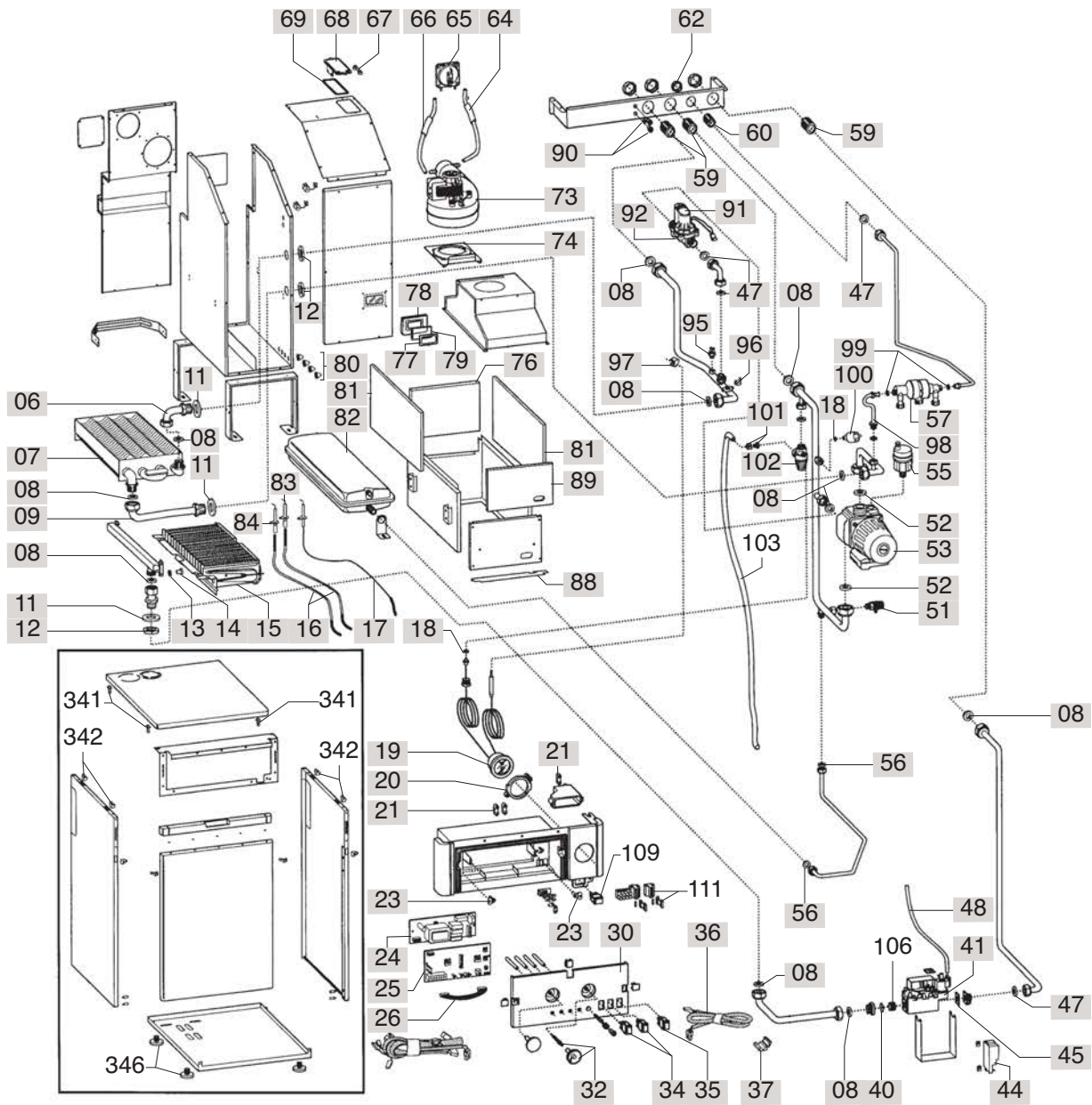
GEOMAT 27 RFFI

Gas-stand. boiler atm. burner

1	534703	GEOMAT 27 RFFI MET	11-1997	05-2001
2	534704	GEOMAT 27 RFFI GPL	11-1997	05-2001
Col	Reference	Model type	Begin	End



	Description	Manf. Pt. N	Type	GEOMAT 27 RFFI NG GEOMAT 27 RFFI LPG														From		to						
				1	2	3	4	5	6	7	8	9	10	11	12	13	14	15	16	17	18					
0006	PIPE (FLOW - MAIN EXCHANGER)	570585		•	•																					
0007	MAIN EXCHANGER	573435		•	•																					
0008	GASKET 3/4"	573520		•	•																					
0009	PIPE (RETURN - MAIN EXCHANGER)	570584		•	•																					
0011	GASKET 37X26X2	569413		•	•																					
0012	LOCK NUT (BRASS) 3/4	569446		•	•																					
0013	BURNER JET WASHER	572138		•	•																					
0014	BURNER JET (L.P.G. 0.72)	570251		•																						
	BURNER JET (NG 1.25)	570248		•																						
0015	BURNER 15 RAMP (LPG)	570513		•	•																					
0016	IGNITION ELECTRODE CABLE	569503		•	•																					
0017	ELECTRODE (DETECTION)	573441		•	•																					
0018	GASKET 1/4	569390		•	•																					
0019	PRESSURE/TEMPERATURE GAUGE	571832		•	•																					
0020	TEMPERATURE/PRESSURE GAUGE FIXING RING	572895		•	•																					
0021	CABLE CLAMP	571562		•	•																					
0023	FIXING SUPPORT (P.C.B.)	572857		•	•																					
0024	P.C.B. (ESB A FFI)	952780		•	•																					
0025	P.C.B. (ESB C FFI)	952880		•	•																					
0026	CABLE (P.C.B.)	952600		•	•																					
0030	CONTROL PANEL (FRONT)	573490		•	•																					
0032	CONTROL KNOB KIT	572929		•	•																					
0034	UNIPOLAR SWITCH OPENING COVER	569495		•	•																					
0035	ON/OFF NEON SWITCH	569424		•	•																					
0036	CABLE (POWER SUPPLY)	570593		•	•																					
0037	CLICK FILTER (POWER SUPPLY CABLE)	572924		•	•																					
0040	O-RING	571965		•	•																					
0041	GAS VALVE (TANDEM)	573457		•	•																					
0044	SPARK GENERATOR	573023		•	•																					
0045	GASKET (GAS VALVE)	569254		•	•																					
0047	GASKET 1/2"	573528		•	•																					
0048	COMPENSATION TUBE	573576		•	•																					
0051	DRAIN VALVE	573727		•	•																					
0052	GASKET 1	569387		•	•																					
0053	KIT FOR VERT. 1 PUMP ATTACHMENTS+JOLLY	996613		•	•																					
0055	AUTOMATIC AIR RELEASE VALVE	571639		•	•																					
0056	GASKET 3/8"	573521		•	•																					
0057	DISCONNECTING DEVICE	572242		•	•																					
0059	NIPPLE (3/4 BRASS)	573524		•	•																					
0060	NIPPLE (1/2 BRASS)	573531		•	•																					
0062	LOCK NUT 1/2	573530		•	•																					
0064	SILICONE PIPE (NEGATIVE SIGNAL)	571819		•	•																					
0065	AIR PRESSURE SWITCH 140 Pa	571652-01		•	•																					
0066	COMPENSATION TUBE	573576		•	•																					
0067	AIR INTAKE COVER	573329		•	•																					
0068	SUPPORT PLATE	997203		•	•																					
0069	GASKET(AIR PRESSURE SWITCH SUPP. PLATE)	572643		•	•																					
0073	FAN	573434		•	•																					
0074	SUPPORT PLATE (FAN)	573049		•	•																					
0076	PANEL (INSULATION - REAR)	998148		•	•																					
0077	SIGHT GLASS - GASKET	569442		•	•																					
0078	SIGHT GLASS HOLDER	573566		•	•																					
0079	SIGHT GLASS	573567		•	•																					
0080	CABLE HOLDER	569458		•	•																					
0081	PANEL (INSULATION - SIDE)	998136		•	•																					
0082	8 L. STANDARDISED EXPANSION VESSEL	65101718		•	•																					
0083	ELECTRODE (IGNITION R.H.)	569560		•	•																					
0084	ELECTRODE (IGNITION L.H.)	569561		•	•																					
0088	AIR DIFFUSER	572972		•	•																					
0089	PANEL (INSULATION - FRONT)	998133		•	•																					
0090	CABLE HOLDER	570772		•	•																					
0091	MAIN FLOW SWITCH KIT	65100519		•	•																					
0092	BY-BASS BODY	572728		•	•																					
0095	TEMPERATURE PROBE	998458		•	•																				12/99	
	TEMPERATURE PROBE (C.H.W.)	569236		•	•																				11/99	
0096	THERMOSTAT (OVERHEAT)	571648		•	•																					
0097	FIXING SPRING (PRESSURE GAUGE)	571565		•	•																					
0099	GASKET 1/8	572244		•	•																					
0100	LOW PRESSURE SWITCH	995903		•	•																					
0102	SAFETY VALVE (3 BAR).	569292		•	•																					



GEOMAT 27 RFFI NG  
 GEOMAT 27 RFFI LPG

31

	Description	Manf. Pt. N	Type																			From	to					
				1	2	3	4	5	6	7	8	9	10	11	12	13	14	15	16	17	18							
0103	HOSE (EXPANSION RELIEF TO DISCHARGE)	572974		•	•																							
0106	VALVE GAS DIAPHRAGM	995330		•																								
0109	TWO-POLE SWITCH	572933		•	•																							
0111	TERMINAL BOARD (ONE-POLE) + FUSE-HOLDER	572860		•	•																							
0321	OPERATOR COILS (SIT TANDEM)	570712		•	•																							
0322	MODUREG COIL (SIT 24V GAS VALVE)	573740		•	•																							
0323	GAS MODULATOR CARTRIDGE	573745		•	•																							
0341	FAST ATTACHMENT MALE SHUT OFF	574249		•	•																							
0342	FAST ATTACHMENT FEMALE SHUT OFF	574250		•	•																							
0346	FOOT (SUPPORT)	572890		•	•																							
0361	BURNER JET FULL KIT (NG)	573237			•																							
0362	BURNER JET FULL KIT (LPG)	569282		•																								
0371	DIAPHRAGM (MAIN FLOW SWITCH)	571547		•	•																							
0372	MAGNET (MAIN FLOW SWITCH)	571772		•	•																							
0373	SPRING (MAIN FLOW SWITCH)	571771		•	•																							
0374	TOP CAP (MAIN FLOW SWITCH)	571770		•	•																							
0375	MICROSWITCH - MAIN FLOW SWITCH	998172		•	•																							

## LIST OF THE ABBREVIATIONS

HW .....	: Hot water.
CW .....	: Cold water.
C .....	: Ceramic resistance (normal heating).
Ca .....	: Ceramic resistance (accelerated heating)
TP .....	: Immersion heater.
1F .....	: With fittings.
2F .....	: Without fittings.
3F .....	: With fittings and another outlet connection.
AMI .....	: With mixing valve.
SMI .....	: Without mixing valve.
PUISS .....	: Power of th appliance.
PN .....	: Appliance with normal pression.
LP .....	: Appliance with low pression.
PV .....	: Appliance with variable power.
PF .....	: Appliance with fixed power.

## IDENTIFICATION PLATE

### SERIAL NUMBER

<b>10 Characters :</b>	04 05 125 011	
		Sequential number
		Manufacturing day
		Year of manufacture
<b>11 Characters :</b>	1 95 065004 - 31	
Month of manufacture :		Technical number of the appliance
from 1 to 9 → Jan. to Sep.,		Sequential number
O → Oct., N → Nov.,		Year of manufacture
D → Dec.		
<b>19 Characters :</b>	08 05 0013199 900640031	
Year of manufacture		Product reference
Month of manufacture		Sequential number
<b>20 Characters :</b>	3675007 XX 2 07 070 00315	
Product reference		Sequential number
Millenium of manufacture		Manufacturing day
		Year of manufacture
<b>21 Characters :</b>	3675007 XX 07 070 0000315	
Product reference		Sequential number
Year of manufacture		Manufacturing day