



ARISTON

SPARE PARTS EXPLODED VIEW GAS-WALL CONDENSING BOILERS

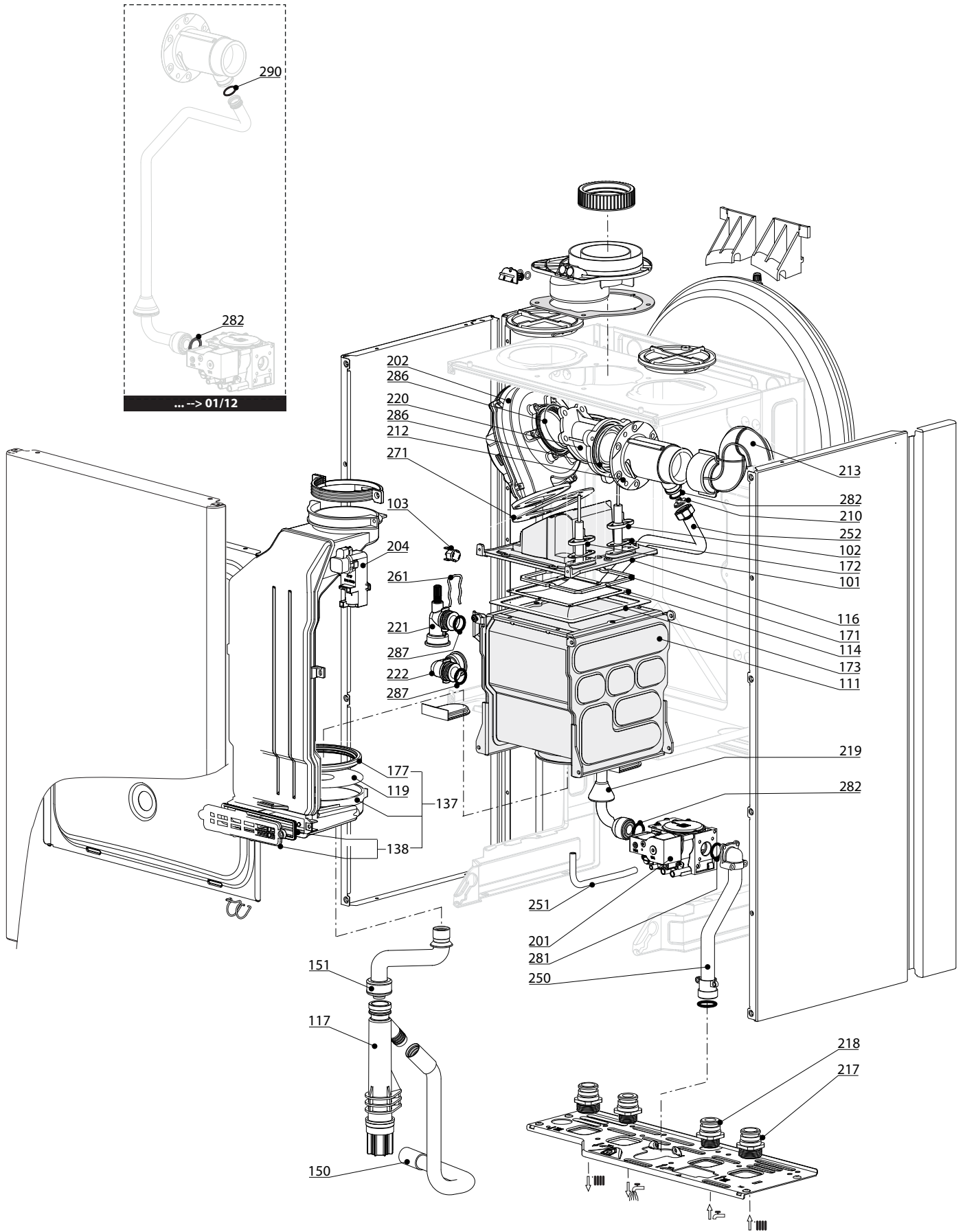
Model

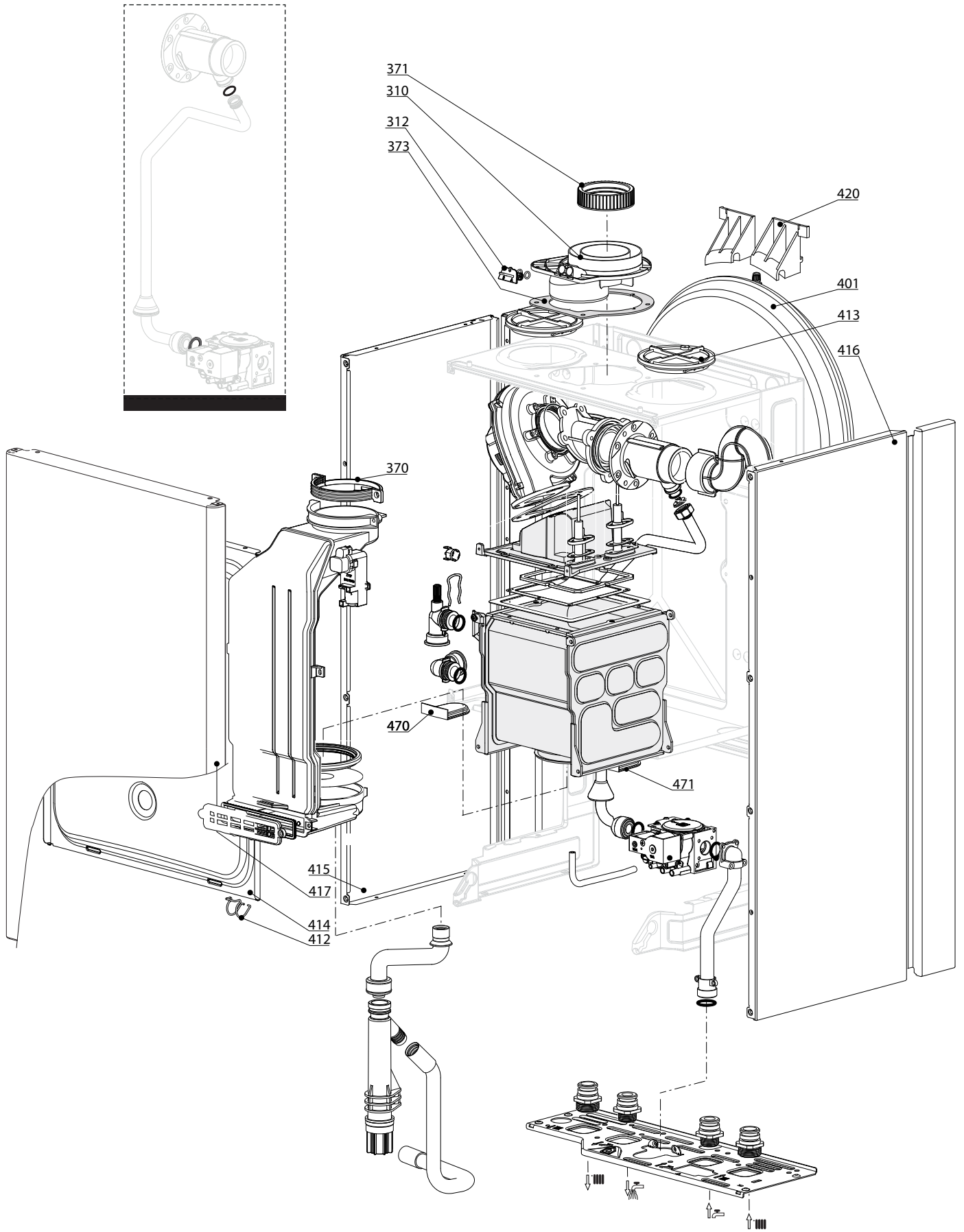
EGIS PREMIUM - MATIS CONDENS

R8203323-06 - 22/04/2021

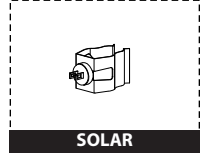
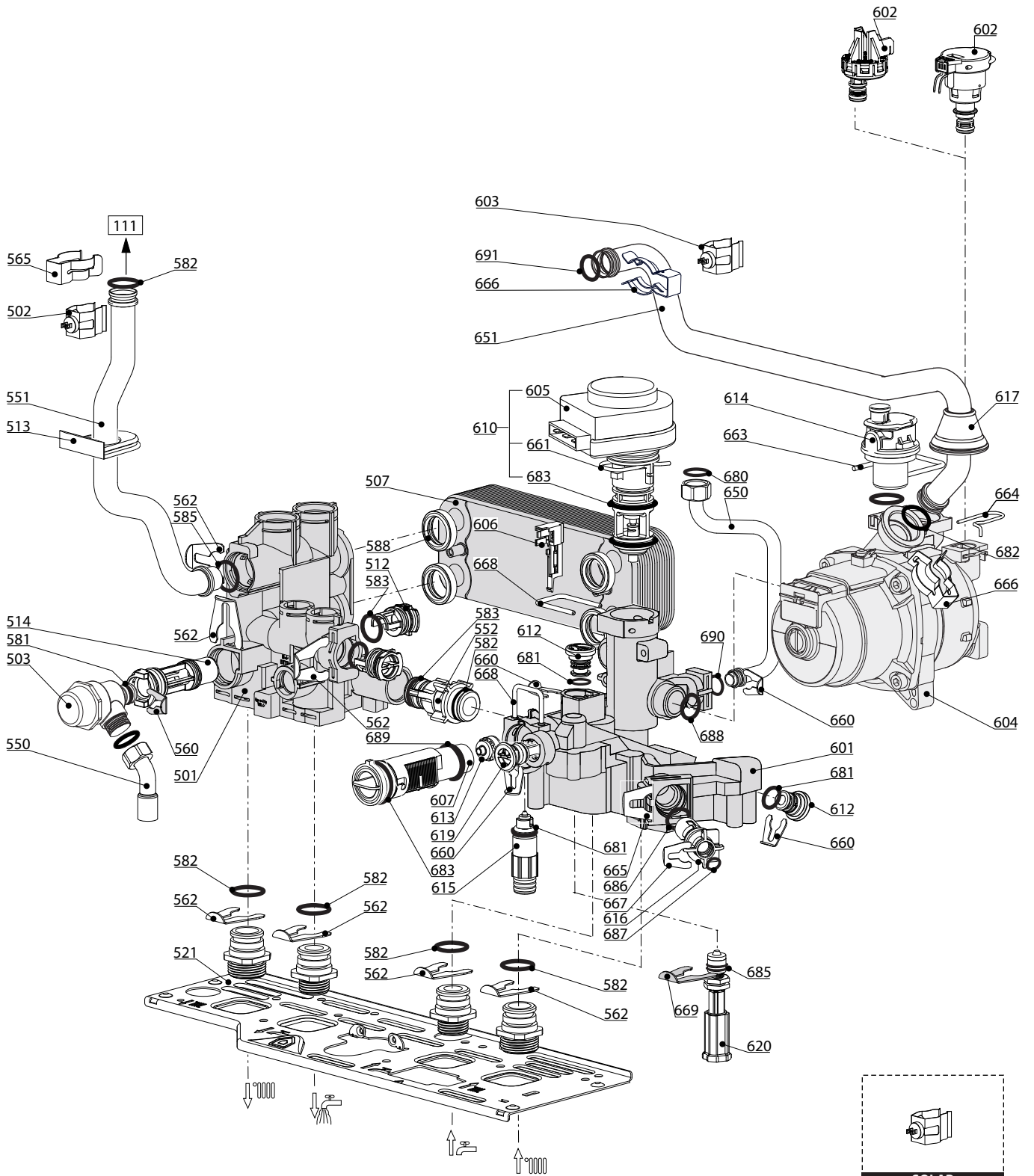
1	3300414	EGIS PREMIUM 24 NG	10-2011	09-2016
2	3300436	EGIS PREMIUM 30 NG	10-2011	01-2016
3	3300589	MATIS CONDENS 24 NG	02-2014	08-2015
4	3300712	MATIS CONDENS 24 NG EU	03-2015	05-2019
5	3300766	MATIS CONDENS 30 EU	10-2015	05-2019

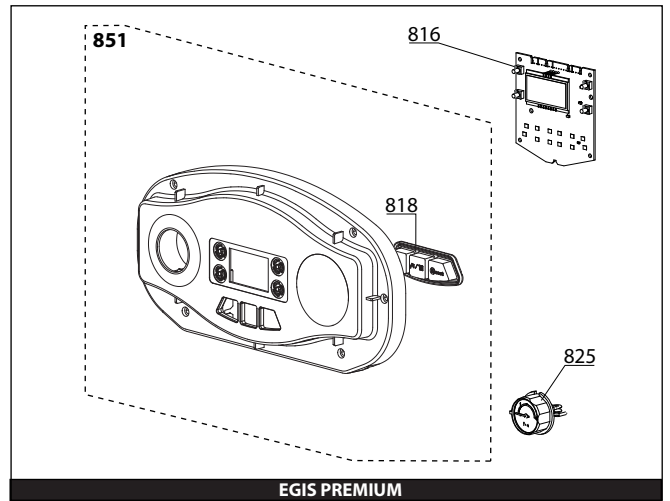
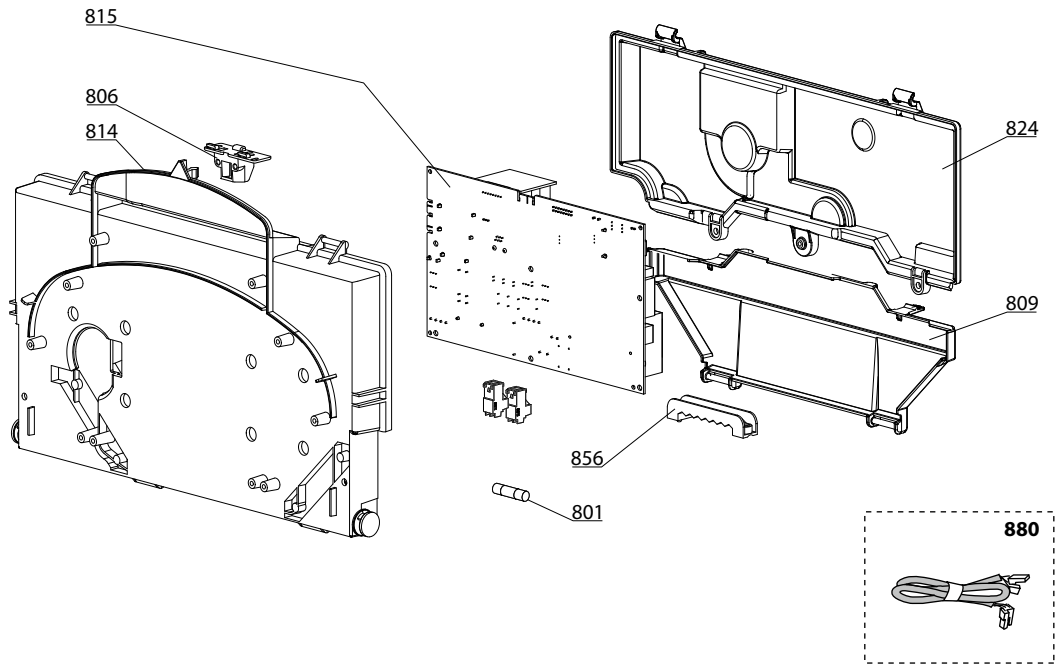
Col	Reference	Model type	Begin	End
-----	-----------	------------	-------	-----



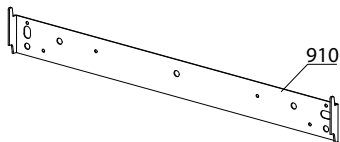


☉⇒	Description	Manf. Pt. N	Type	<div style="display: flex; justify-content: space-between; align-items: center;"> <div style="writing-mode: vertical-rl; transform: rotate(180deg); font-size: 8px;"> EGIS PREMIUM 24 EGIS PREMIUM 30 MATIS CONDENS 24 MATIS CONDENS 24 EU MATIS CONDENS 30 EU </div> <div style="border: 1px solid black; padding: 2px;"> 31 </div> </div>																		From	to
				1	2	3	4	5	6	7	8	9	10	11	12	13	14	15	16	17	18		
0300	FAN ASSEMBLY																						
0310	BI FLUX CONNECTION	60001857-01		●	●	●	●	●															
0312	FLUE TEST PORT PLUG	65104295		●	●	●	●	●															
0370	GASKET (CONNECTION)	60001875		●	●	●	●	●															
0371	GASKET	60000316		●	●	●	●	●															
0373	GASKET	60000317		●	●	●	●	●															
0400	SEALED CASE																						
0401	EXPANSION VESSEL 8L	65104261		●	●	●	●	●															
0412	SPRING FRONT PANEL (KIT)	65107048		●	●	●	●	●															
0413	AIR RETURN COVER	65104249		●	●	●	●	●															
0414	PANEL (FRONT - SEALED CHAMBER)	65105678-02		●	●	●	●	●															
0415	CASE PANEL (L.H. SIDE)	65105676		●	●	●	●	●															
0416	CASE PANEL (R.H. SIDE)	65105677		●	●	●	●	●															
0417	CASE PANEL (FRONT)	60001604		●	●	●	●	●															
0420	EXPANSION VESSEL SUPPORT	65104696		●	●	●	●	●															
0470	GROMMET	60000807		●	●	●	●	●															
0471	CABLE INLET RUBBER WASHER	60000541		●	●	●	●	●															





900



5000

- 5020**
- Options
 - Accessories
 - Opzioni
 - Accessorio

LIST OF THE ABBREVIATIONS

HW	: Hot water.
CW	: Cold water.
C	: Ceramic resistance (normal heating).
Ca	: Ceramic resistance (accelerated heating)
TP	: Immersion heater.
1F	: With fittings.
2F	: Without fittings.
3F	: With fittings and another outlet connection.
AMI	: With mixing valve.
SMI	: Without mixing valve.
PUISS	: Power of th appliance.
PN	: Appliance with normal pression.
LP	: Appliance with low pression.
PV	: Appliance with variable power.
PF	: Appliance with fixed power.

IDENTIFICATION PLATE

SERIAL NUMBER

10 Characters :	04 05 125 011		
		Sequential number	
		Manufacturing day	
		Year of manufacture	
11 Characters :	1 95 065004 - 31		
Month of manufacture :		Technical number of the appliance	
from 1 to 9 → Jan. to Sep.,		Sequential number	
O → Oct., N → Nov.,		Year of manufacture	
D → Dec.			
19 Characters :	08 05 0013199 900640031		
Year of manufacture		Product reference	
Month of manufacture		Sequential number	
20 Characters :	3675007 XX 2 07 070 00315		
Product reference		Sequential number	
Millenium of manufacture		Manufacturing day	
		Year of manufacture	
21 Characters :	3675007 XX 07 070 0000315		
Product reference		Sequential number	
Year of manufacture		Manufacturing day	