



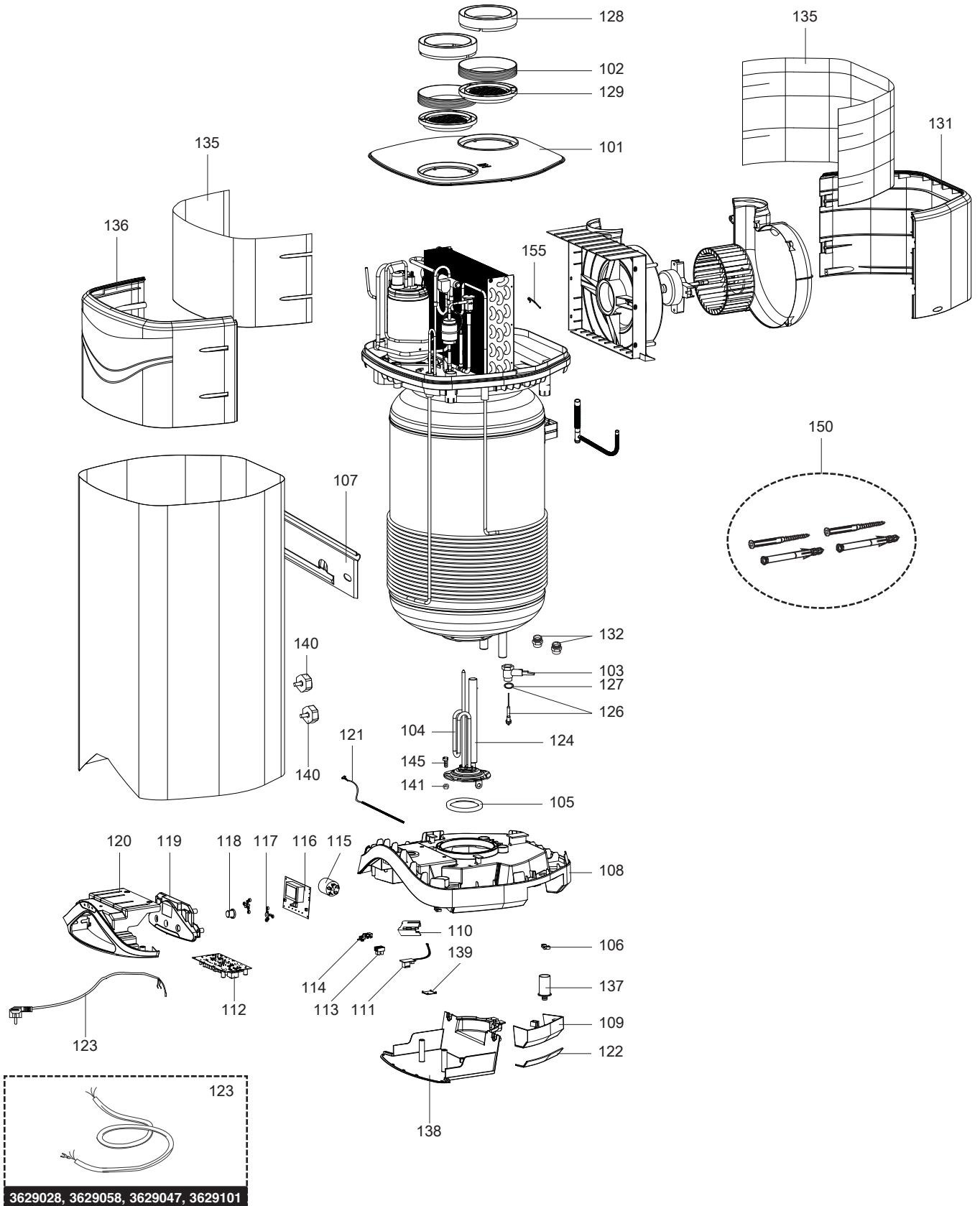
SPARE PARTS EXPLODED VIEW HEAT PUMPS

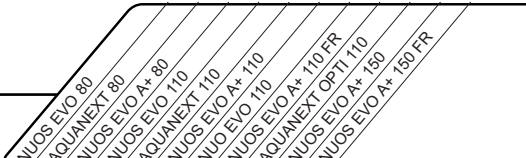
Model

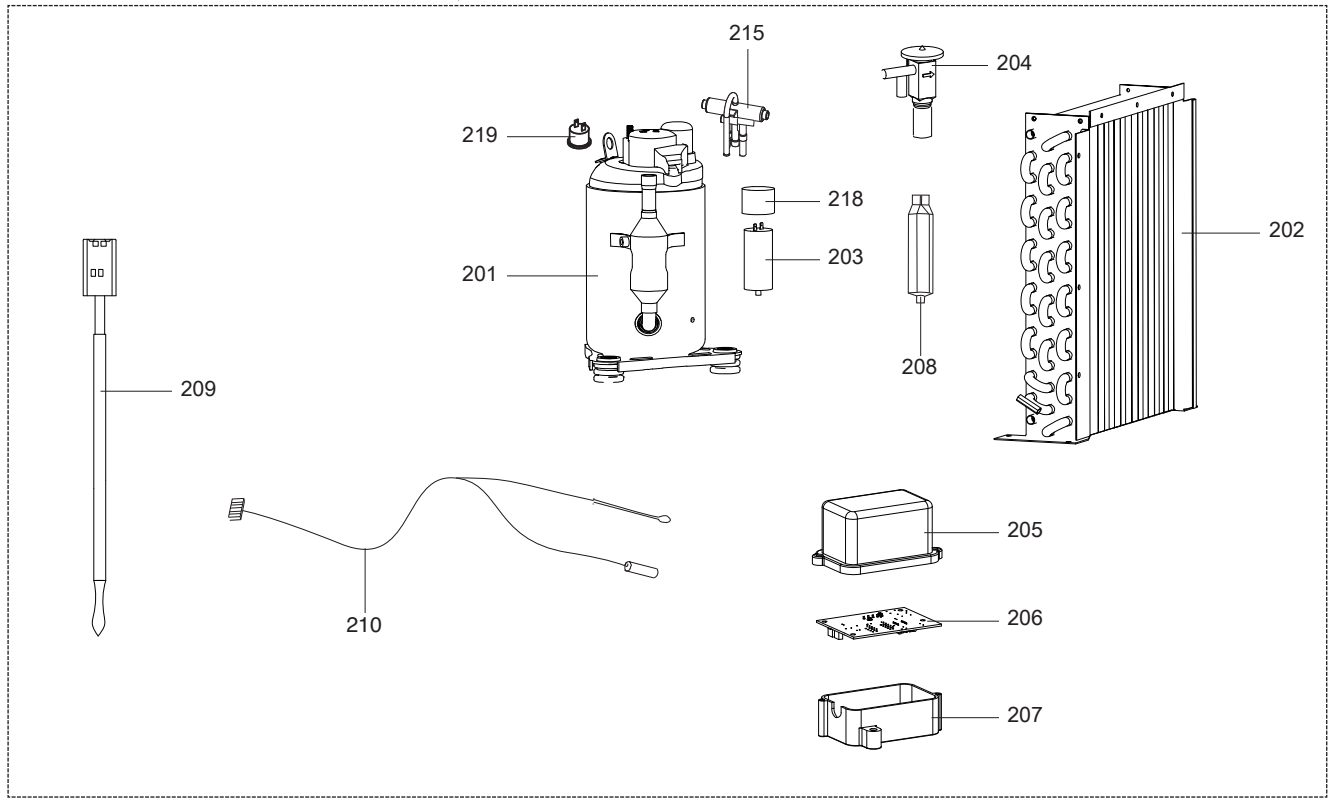
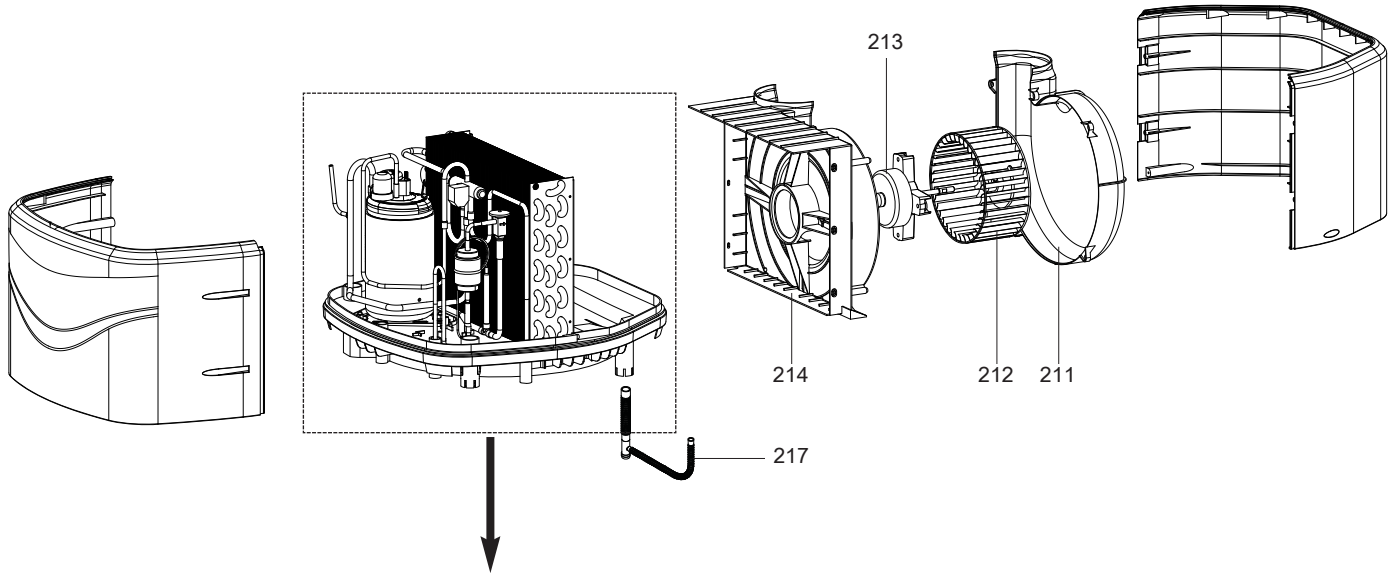
NUOS EVO (JANUS I EVO)

R8216781-21 - 18/07/2019

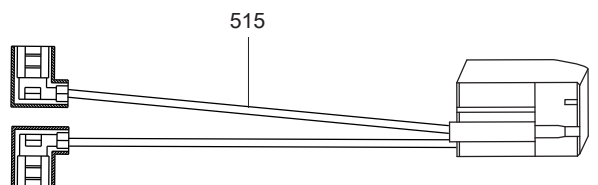
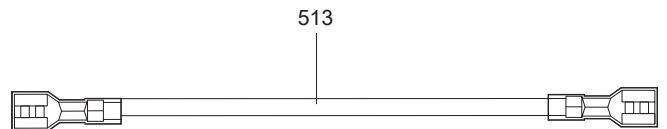
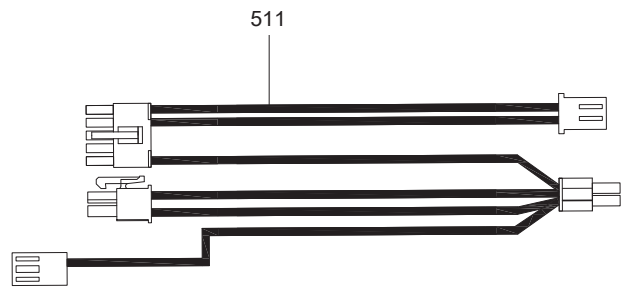
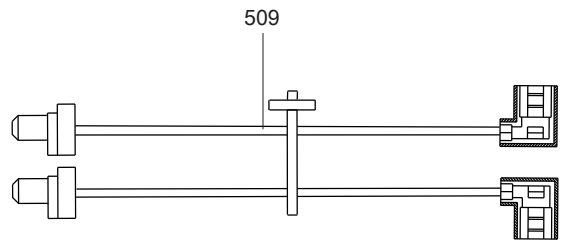
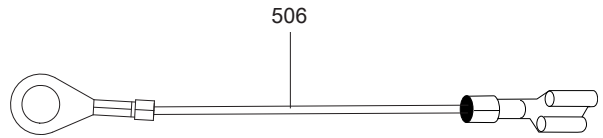
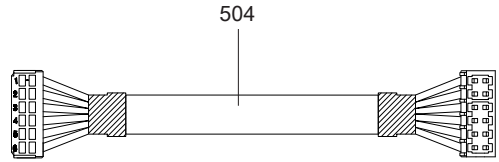
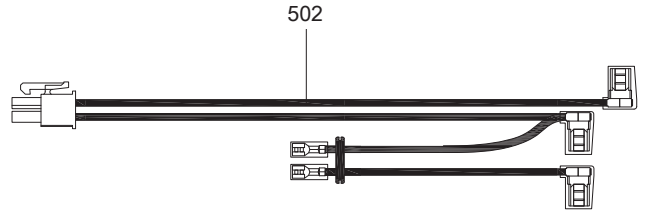
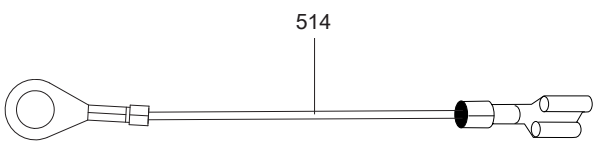
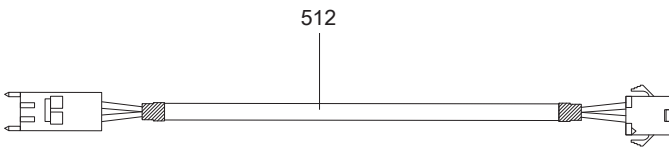
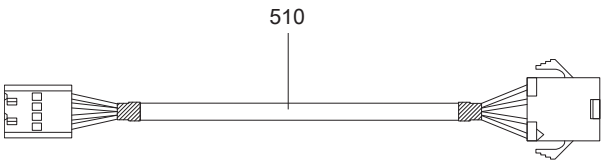
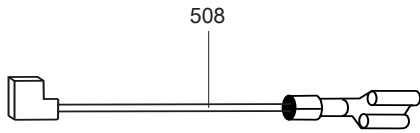
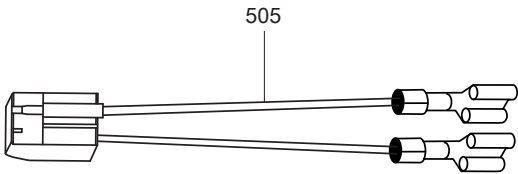
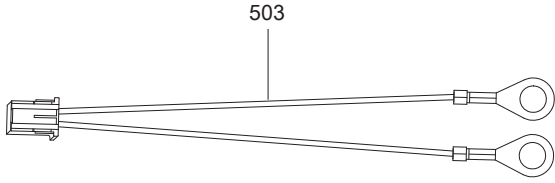
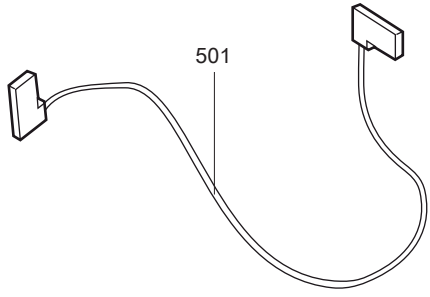
1	3603543	NUOS EVO 80 WH	12-2011	12-2015
1	3623240	NUOS EVO 80 WH	04-2015	04-2018
2	3629075	AQUANEXT 80 WH	09-2019	-
3	3629056	NUOS EVO A+ 80 WH	05-2017	-
4	3603545	NUOS EVO 110 WH	12-2011	12-2015
4	3623241	NUOS EVO 110 WH	04-2015	04-2018
5	3629076	AQUANEXT 110 WH	09-2019	-
6	3629057	NUOS EVO A+ 110 WH	05-2017	-
7	3629028	NUOS EVO 110 WH	11-2015	04-2018
8	3629058	NUOS EVO A+ 110 WH FR	05-2017	-
9	3629047	AQUANEXT OPTI 110	10-2016	-
10	3629074	NUOS EVO A+ 150 WH	09-2019	-
11	3629101	NUOS EVO A+ 150 WH FR	09-2019	-
Col	Reference	Model type	Begin	End



☉⇒	Description	Manf. Pt. N	Type															From	to		
				1	2	3	4	5	6	7	8	9	10	11	12	13	14			15	16
0100	CHASSIS-FRONT CASE																				
0101	TOP COVER	65151667		●	●	●	●	●	●	●	●	●	●	●							
0102	ADAPTOR GASKET	65153294												●							
0103	SAFETY VALVE WITH LEVER (1/2" 7,5 BAR)	504342		●	●	●	●	●	●					●							
0104	HEATING ELEMENT 1200W 220-240V	65154010		●	●	●	●	●	●	●	●	●	●	●	●						
0105	FLANGE GASKET	65150952-FA		●	●	●	●	●	●	●	●	●	●	●	●						
0106	CABLE CLAMP	573266		●	●	●	●	●	●	●	●	●	●	●	●						
0107	INSTALLATION BRACKET	65152040		●	●	●	●	●	●	●	●	●	●	●	●						
0108	BOTTOM COVER	65151682			●			●						●	●						
0109	BASE FOR OUTSIDE PIPE	65152576		●	●	●	●	●	●	●	●	●	●	●	●						
0110	SERIAL PROTECTOR	65153698			●			●						●	●						
	SERIAL PROTECTOR	65153698				●		●						●	●						
0111	CONNECTIVE INDEX WITH SERIAL PORT	65151607		●	●	●	●	●	●	●	●	●	●	●	●						05/18
0112	P.C.B. (MAIN)	65116312												●							
	P.C.B. (MAIN)	65116748		●		●	●		●	●	●	●	●								
	P.C.B. (MAIN)	65153538			●			●						●	●						
0113	TERMINAL BLOCK, 2 POLES	65151538		●				●			●										
	TERMINAL BLOCK, 2 POLES	65153299			●	●		●	●		●	●	●	●	●						
0114	GROUND PLATE	65151539		●	●	●	●	●	●	●	●	●	●	●	●						
0115	FILTER 16A	65151537		●	●	●	●	●	●	●	●	●	●	●	●						
0116	P.C.B. (DISPLAY)	60001830-02		●	●	●	●	●	●	●	●	●	●	●	●						
	P.C.B. (DISPLAY)	65153289												●							
0117	PLASTIC BUTTON	65151610		●	●	●	●	●	●	●	●	●	●	●	●						
0118	KNOB (REGULATION)	65151534		●	●	●	●	●	●	●	●	●	●	●	●						
	KNOB (REGULATION)	65153293			●			●						●							
0119	FILM PLASTC COVER	65151611		●		●	●		●	●	●	●	●	●	●						
	FILM PLASTC COVER	65153291			●			●						●							
0120	PLASTIC BASE	65151612		●		●	●		●	●	●	●	●	●	●						
	PLASTIC BASE	65153292			●			●						●							
0121	WIRED NTC PROBE (INLET TANK)	65153537			●	●	●	●	●	●	●	●	●	●	●						
	WIRED NTC PROBE (INLET TANK)	65152258		●			●			●				●							
0122	COVER FOR OUTSIDE PIPE	65151684		●		●	●		●	●	●	●	●	●	●						
	COVER FOR OUTSIDE PIPE	65153295			●			●						●	●						
0123	POWER CABLE	65151615		●	●	●	●	●	●					●							
	POWER CABLE	65152982									●	●	●	●	●						
0124	ANODE D:22 L:285 M5	65151170			●			●													
	ANODE D:22 L:395 M5	65151183		●		●	●		●	●	●	●	●	●	●						
0126	PROTECH ANODE + GASKET	990852		●		●	●		●	●	●	●	●	●	●						
	PROTECH ANODE	65150277			●			●						●	●						
0127	ANODE GASKET	990899			●			●						●	●						
0128	AIR PIPE CONNECT	65151664		●	●	●	●	●	●	●	●	●	●	●	●						
0129	FAN CONNECT	65151665		●	●	●	●	●	●	●	●	●	●	●	●						
0131	TOP BEHIND	65151668		●	●	●	●	●	●	●	●	●	●	●	●						
0132	CONFECTION DIELECTRIC JOINTS 1/2" (2PCS)	65116403		●	●	●	●	●	●	●	●	●	●	●	●						
0135	INSULATION PANEL	65151936		●	●	●	●	●	●	●	●	●	●	●	●						
0136	FRONT COVER	65151673		●	●	●	●	●	●	●	●	●	●	●	●						
0137	HOSE TIE-IN	65151683		●				●						●							
0138	BOTTON COVER	65151616		●		●	●		●	●	●	●	●	●	●						
	BOTTON COVER	65153296			●			●						●							
0139	COMM BOARD COVER	65151685		●		●	●		●	●	●	●	●	●	●						
	COMM BOARD COVER	65153290			●			●						●							
0140	ADJUSTABLE FOOT	65151937		●	●	●	●	●	●	●	●	●	●	●	●						
0141	NUT M8	570127		●	●	●	●	●	●	●	●	●	●	●	●						
0145	ROUND FLANGE BOLT	65153511		●	●	●	●	●	●	●	●	●	●	●	●						
0150	INSTALLATION ACCESSORY	65151992-FA		●	●	●	●	●	●	●	●	●	●	●	●						
0155	PROBE CLIP	65115989			●			●						●	●						



☉⇒	Description	Manf. Pt. N	Type	<div style="display: flex; justify-content: space-between; font-size: small;"> NUOS EVO 80 AQUANEXT 80 NUOS EVO A+ 80 AQUANEXT 110 NUOS EVO A+ 110 NUO EVO A+ 110 NUOS EVO A+ 110 FR AQUANEXT OPTI 110 NUOS EVO A+ 150 NUOS EVO A+ 150 FR </div>																		From	to
				1	2	3	4	5	6	7	8	9	10	11	12	13	14	15	16	17	18		
0200	REFRIGERATION UNIT																						
0201	COMPRESSOR	65151392		●	●	●	●	●	●	●	●	●	●	●	●	●	●	●	●				
0202	EVAPORATOR	65151674		●	●	●	●	●	●	●	●	●	●	●	●	●	●	●	●				
0203	COMPRESSOR CAPACITOR 10uF 1450V	65151675		●	●	●	●	●	●	●	●	●	●	●	●	●	●	●	●				
0204	EXPANSION VALVE 0,8KW	65151676		●	●	●	●	●	●	●	●	●	●	●	●	●	●	●	●				
0205	P.C.B. COVER	65151677		●	●	●	●	●	●	●	●	●	●	●	●	●	●	●	●				
0206	P.C.B.	65153298		●	●	●	●	●	●	●	●	●	●	●	●	●	●	●	●				
0207	P.C.B. BOX	65151390		●	●	●	●	●	●	●	●	●	●	●	●	●	●	●	●				
0208	DRY-FILTER	65151554		●	●	●	●	●	●	●	●	●	●	●	●	●	●	●	●				
0209	NTC DOME	65151679		●		●	●		●	●	●	●											
	NTC DOME	65154206			●			●															
	NTC DOME	65154207																					
0210	EVAPORATOR AND AIR SENSOR	65151680		●	●	●	●	●	●	●	●	●	●	●	●	●	●	●	●				
0211	FAN COVER	65151669		●	●	●	●	●	●	●	●	●	●	●	●	●	●	●	●				
0212	FAN	65151670		●	●	●	●	●	●	●	●	●	●	●	●	●	●	●	●				
0213	FAN MOTOR	65151671		●	●	●	●	●	●	●	●	●	●	●	●	●	●	●	●				
0214	FAN BASE	65151672		●	●	●	●	●	●	●	●	●	●	●	●	●	●	●	●				
0215	4-WAY VALVE GROUP	65152621		●	●	●	●	●	●	●	●	●	●	●	●	●	●	●	●				
0217	DISCHARGE PIPE (CONDENSATE)	65152371		●	●	●	●	●	●	●	●	●	●	●	●	●	●	●	●				
0218	CAPACITOR COVER	65151959		●	●	●	●	●	●	●	●	●	●	●	●	●	●	●	●				
0219	COMPRESSOR PROTECTOR	65116169		●	●	●	●	●	●	●	●	●	●	●	●	●	●	●	●				



☉ →	Description	Manf. Pt. N	Type	<div style="display: flex; justify-content: space-between;"> <div style="writing-mode: vertical-rl; transform: rotate(180deg);"> NUOS EVO 80 AQUANEXT 80 NUOS EVO A+ 80 AQUANEXT 110 NUOS EVO A+ 110 NUO EVO A+ 110 NUOS EVO A+ 110 FR AQUANEXT OPTI 110 NUOS EVO A+ 150 NUOS EVO A+ 150 FR </div> <div style="border: 1px solid black; padding: 2px;"> 31 </div> </div>																		From	to
				1	2	3	4	5	6	7	8	9	10	11	12	13	14	15	16	17	18		
0500	ACCESSORIES																						
0501	COMPRESSOR PROTECTOR WIRE	65151400		•	•	•	•	•	•	•	•	•	•	•	•	•							
0502	COMPRESSOR WIRE	65151687		•	•	•	•	•	•	•	•	•	•	•	•	•							
0503	ANODE WIRE	65151617		•	•	•	•	•	•	•	•	•	•	•	•	•							
0504	BOARD CONNECTION WIRE	65151618		•	•	•	•	•	•	•	•	•	•	•	•	•							
0505	HEATING ELEMENT WIRE	65151620		•	•	•	•	•	•	•	•	•	•	•	•	•							
0506	TANK GROUND WIRE	65151621		•	•	•	•	•	•	•	•	•	•	•	•	•							
0508	FILTER GROUND WIRE	65151623		•	•	•	•	•	•	•	•	•	•	•	•	•							
0509	FILTER INLET WIRE	65151625		•	•	•	•	•	•	•	•	•	•	•	•	•							
0510	NTC WIRE	65151688		•	•	•	•	•	•	•	•	•	•	•	•	•							
	NTC WIRE	65154208															•		•				
0511	P.C.B. WIRE	65151689		•	•	•	•	•	•	•	•	•	•	•	•	•							
	P.C.B. WIRE	65154209																•		•			
0512	NTC DOME WIRE	65151690		•	•	•	•	•	•	•	•	•	•	•	•	•							
	NTC DOME WIRE	65154210																•		•			
0513	GROUND WIRE	65151691		•	•	•	•	•	•	•	•	•	•	•	•	•							
	GROUND WIRE	65154211																	•	•			
0514	COMPRESSOR PROTECTOR WIRE	65151692		•	•	•	•	•	•	•	•	•	•	•	•	•							
0515	P.C.B. WIRE	65151626		•	•	•	•	•	•	•	•	•	•	•	•	•							

LIST OF THE ABBREVIATIONS

HW	: Hot water.
CW	: Cold water.
C	: Ceramic resistance (normal heating).
Ca	: Ceramic resistance (accelerated heating)
TP	: Immersion heater.
1F	: With fittings.
2F	: Without fittings.
3F	: With fittings and another outlet connection.
AMI	: With mixing valve.
SMI	: Without mixing valve.
PUISS	: Power of th appliance.
PN	: Appliance with normal pression.
LP	: Appliance with low pression.
PV	: Appliance with variable power.
PF	: Appliance with fixed power.

IDENTIFICATION PLATE

SERIAL NUMBER

6 Characters :
 Year of manufacture ——— 03 09 08 ——— Manufacturing day
 Month of manufacture

9 Characters :
 Year of manufacture ——— 5 9 12 0606 ——— Sequential number
 Month of manufacture

14 Characters :
 SI-V-0B0 45 07 0001
 Sequential number
 Year of manufacture : ————— 6 → 2004
 Month of manufacture : → 25 → January 43 → July 7 → 2005
 13 → February 29 → August 8 → 2006
 32 → March 40 → September etc ...
 35 → April 38 → October
 39 → May 51 → November
 45 → June 12 → December

14 Characters :
 111518 XX 000010
 Month of manufacture ——— Sequential number
 Day of manufacture ——— Year of manufacture

15 Characters :
 02 11 00001 007843
 Year of manufacture ——— Product reference
 Month of manufacture ——— Sequential number

21 Characters :
 3200050 XX 08115 0000001
 Product reference ——— Sequential number
 Year (08) / Manufacturing day (115)

22 Characters :
 3200050 XX 070115 0000001
 Product reference ——— Sequential number
 Year (07) / Month (01) / Manufacturing day (15)