



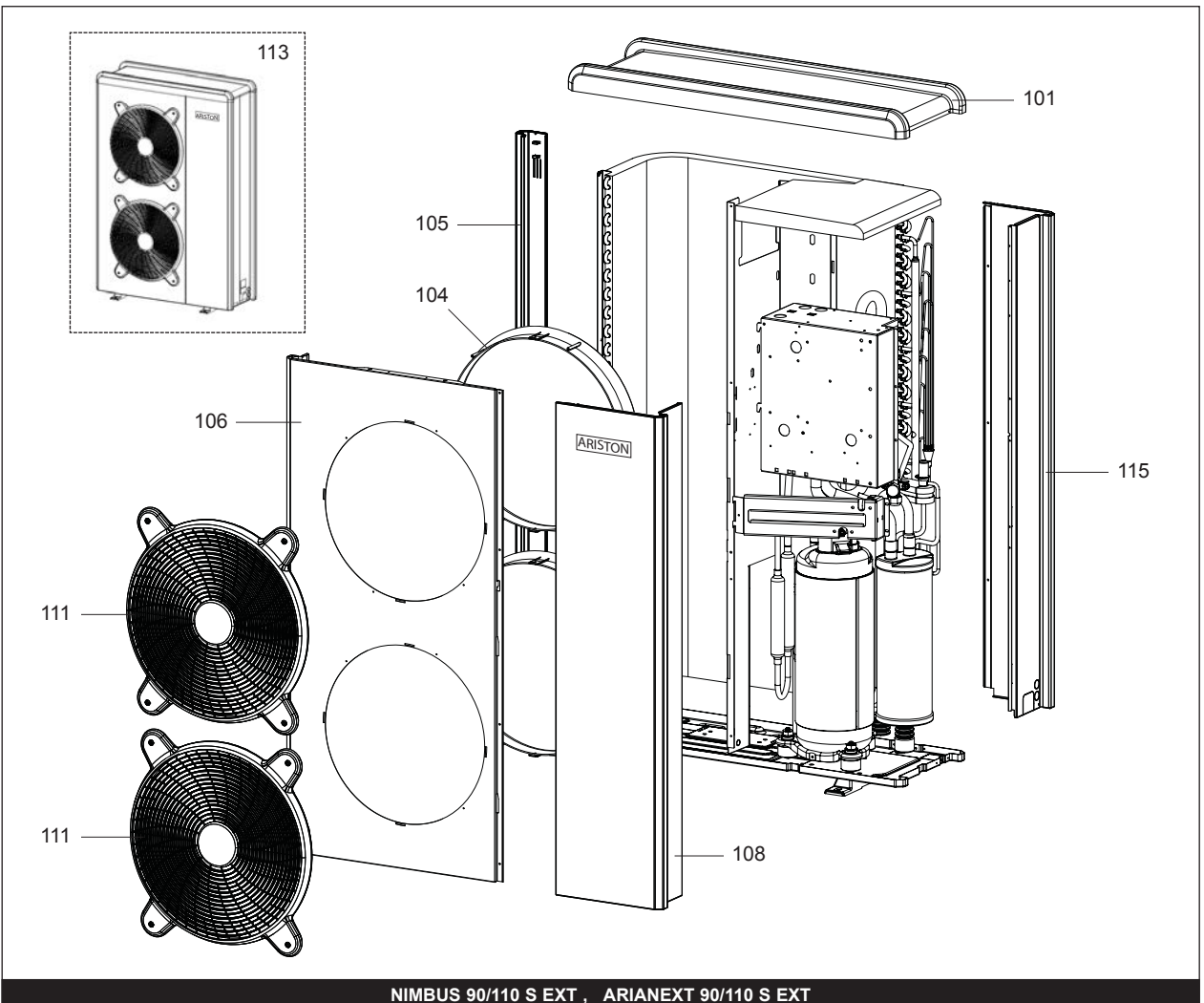
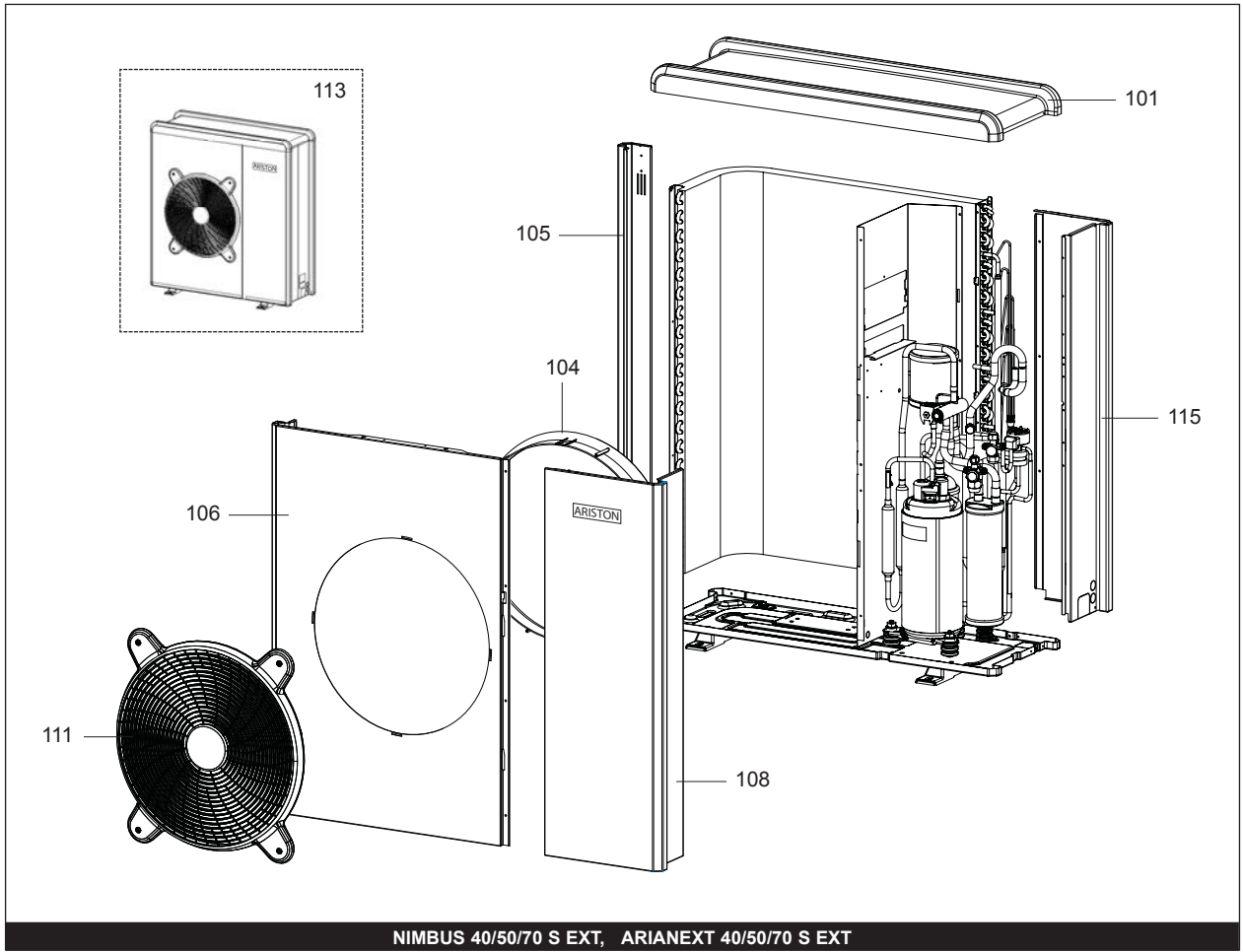
SPARE PARTS EXPLODED VIEW HEAT PUMPS

Model

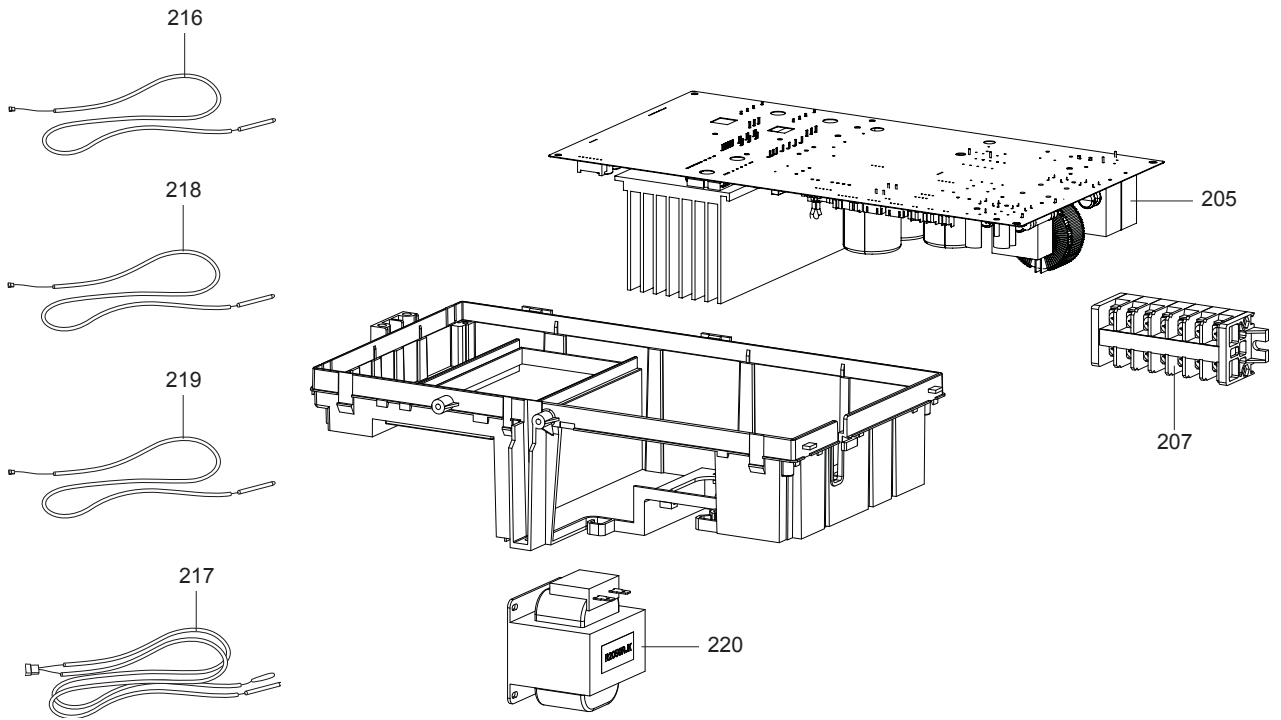
NIMBUS/ARIANEXT S EXT

R8218065-05 - 09/02/2021

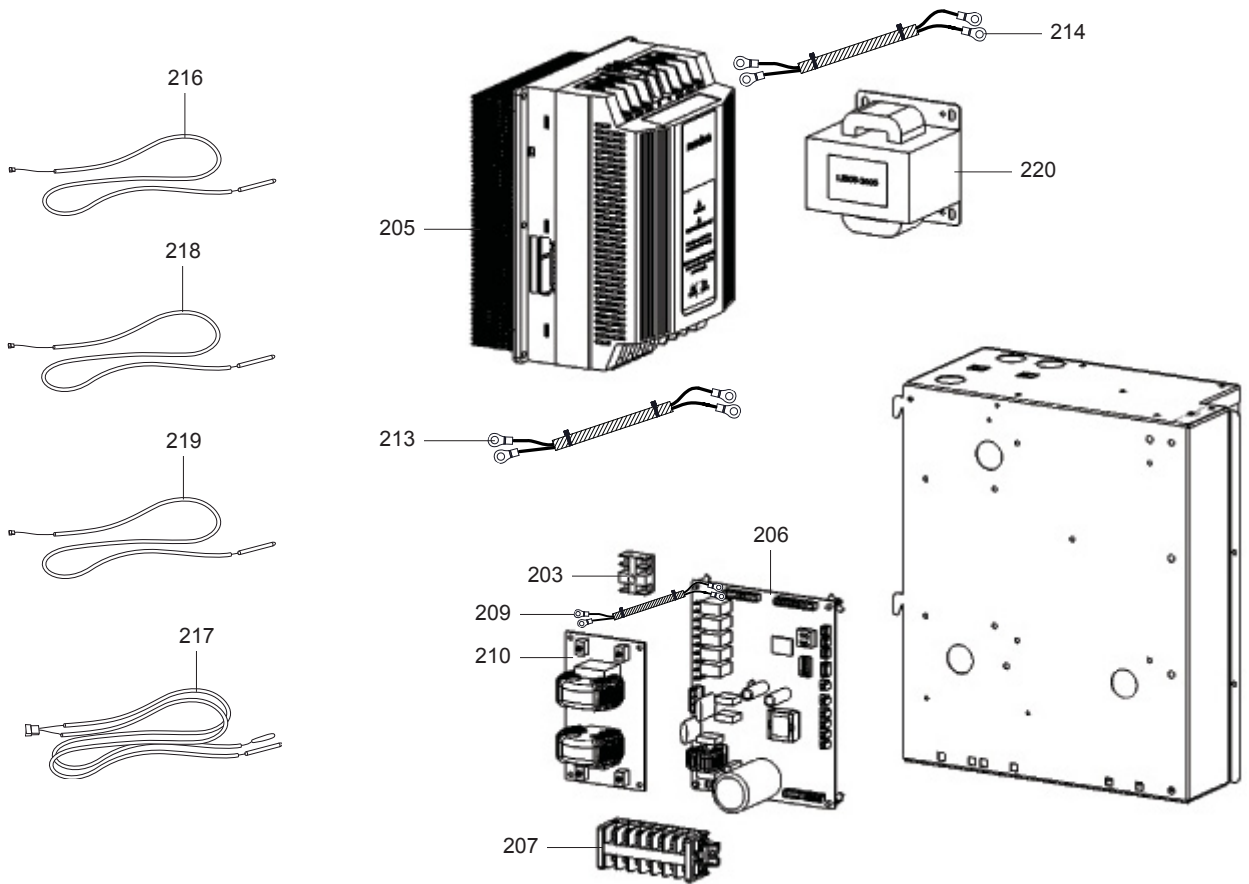
1	3629038	NIMBUS 40 S EXT	09-2016	-
2	3630167	ARIANEXT 40 S EXT	09-2016	-
3	3629042	NIMBUS 50 S EXT	09-2016	-
4	3630168	ARIANEXT 50 S EXT	09-2016	-
5	3629039	NIMBUS 70 S EXT	09-2016	-
6	3630169	ARIANEXT 70 S EXT	09-2016	-
7	3630202	NIMBUS 90 S EXT	06-2018	-
8	3630206	ARIANEXT 90 S EXT	06-2018	-
9	3630203	NIMBUS 110 S EXT	06-2018	-
10	3630207	ARIANEXT 110 S EXT	06-2018	-
Col	Reference	Model type	Begin	End



☺⇒	Description	Manf. Pt. N	Type																			From	to
				1	2	3	4	5	6	7	8	9	10	11	12	13	14	15	16	17	18		
0100	CHASSIS-FRONT CASE																						
0101	TOP COVER	65153037		●	●	●	●	●	●	●	●	●	●	●	●	●	●	●	●				
0104	BLAST TUBE	65153042		●	●	●	●	●	●	●	●	●	●	●	●	●	●	●	●				
0105	LEFT PILLAR	65153045		●	●	●	●																
	LEFT PILLAR	65153055						●	●														
	LEFT PILLAR	65153066								●	●	●	●	●	●	●	●	●	●				
0106	FRONT PANEL	65153043		●	●	●	●																
	FRONT PANEL	65153409						●	●														
	FRONT PANEL	65153417								●	●	●	●	●	●	●	●	●	●				
0108	FRONT RIGHT PANEL	65153039		●	●	●	●																
	FRONT RIGHT PANEL	65153051						●	●														
	FRONT RIGHT PANEL	65153063								●	●	●	●	●	●	●	●	●	●				
0111	FRONT GRILL	65113465		●	●	●	●	●	●	●	●	●	●	●	●	●	●	●	●				
0113	COMPLETE OUTDOOR UNIT	65153084		●	●																		
	COMPLETE OUTDOOR UNIT	65153085				●	●																
	COMPLETE OUTDOOR UNIT	65153086						●	●														
	COMPLETE OUTDOOR UNIT	65153706								●	●												
	COMPLETE OUTDOOR UNIT	65153707										●	●										
0115	REAR RIGHT CLAPBOARD	65153038		●	●	●	●																
	REAR RIGHT CLAPBOARD	65153050						●	●														
	REAR RIGHT CLAPBOARD	65153062								●	●	●	●	●	●	●	●	●	●				

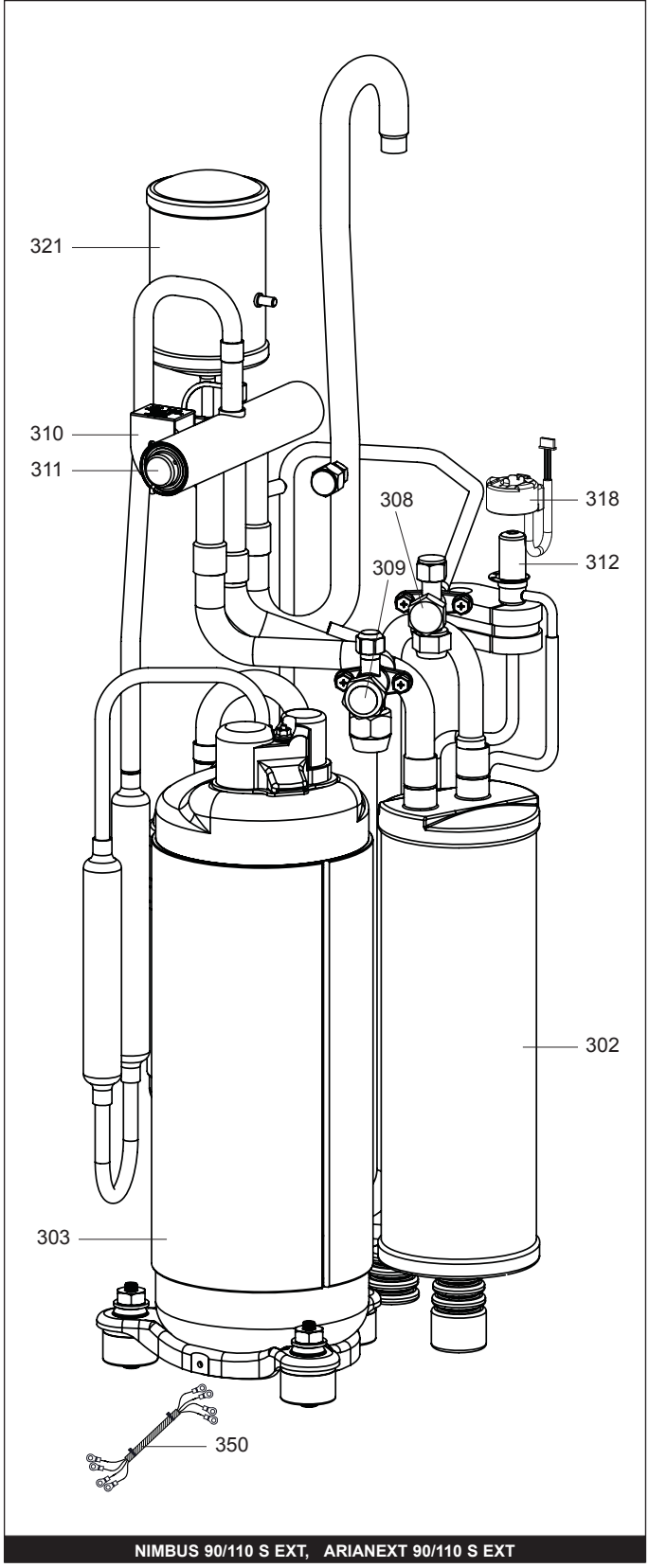
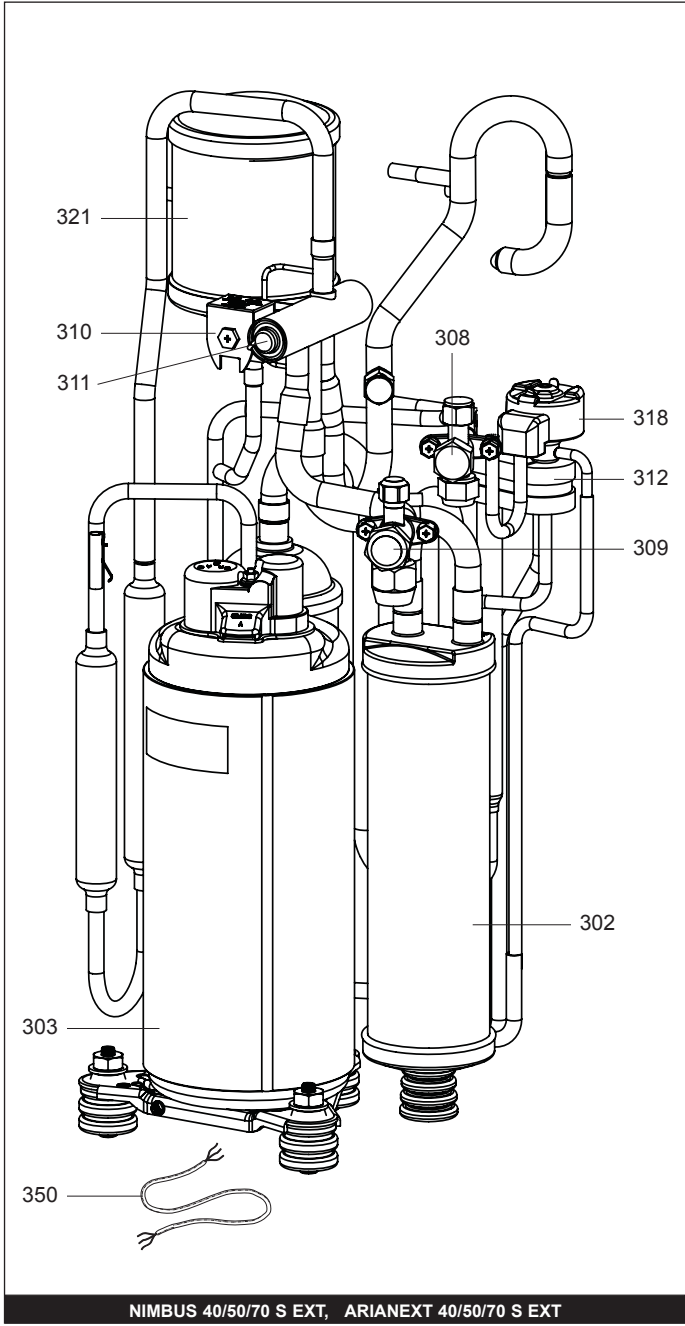


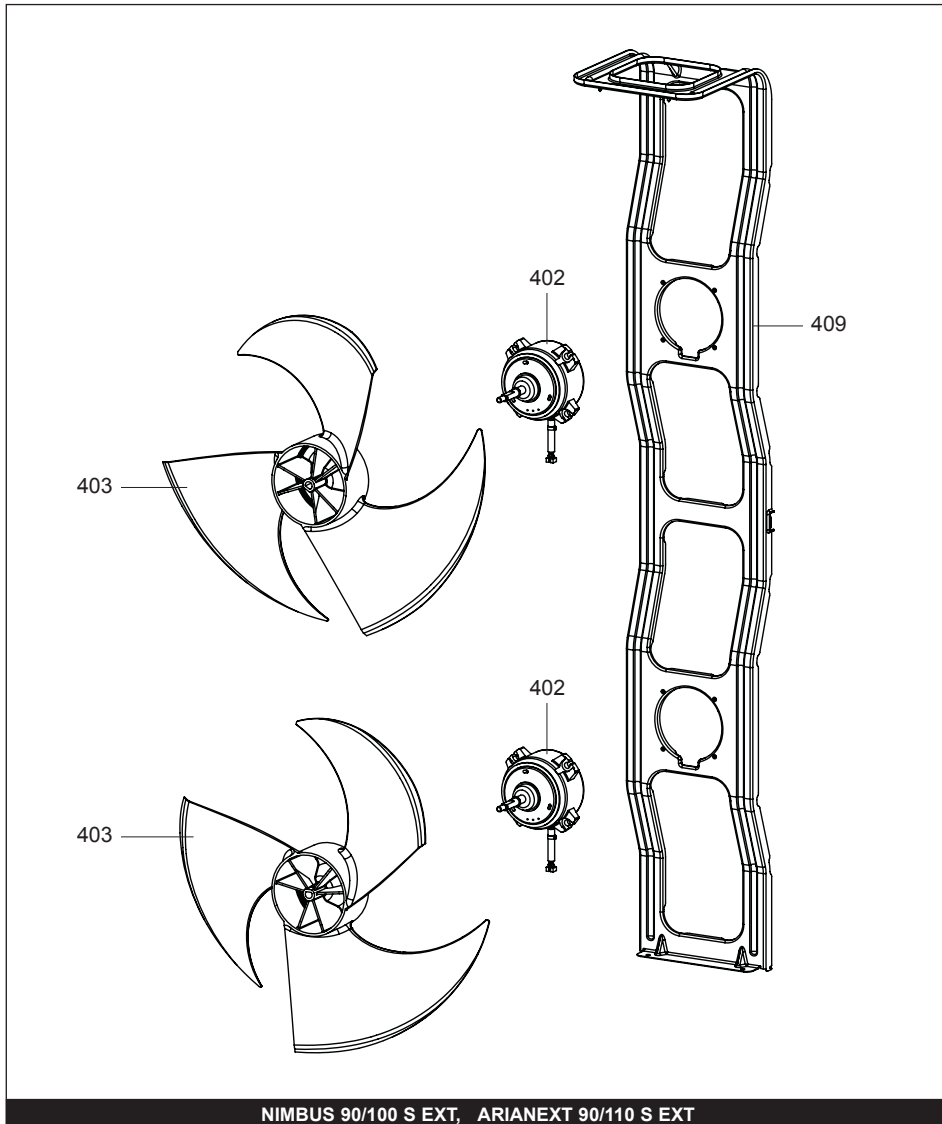
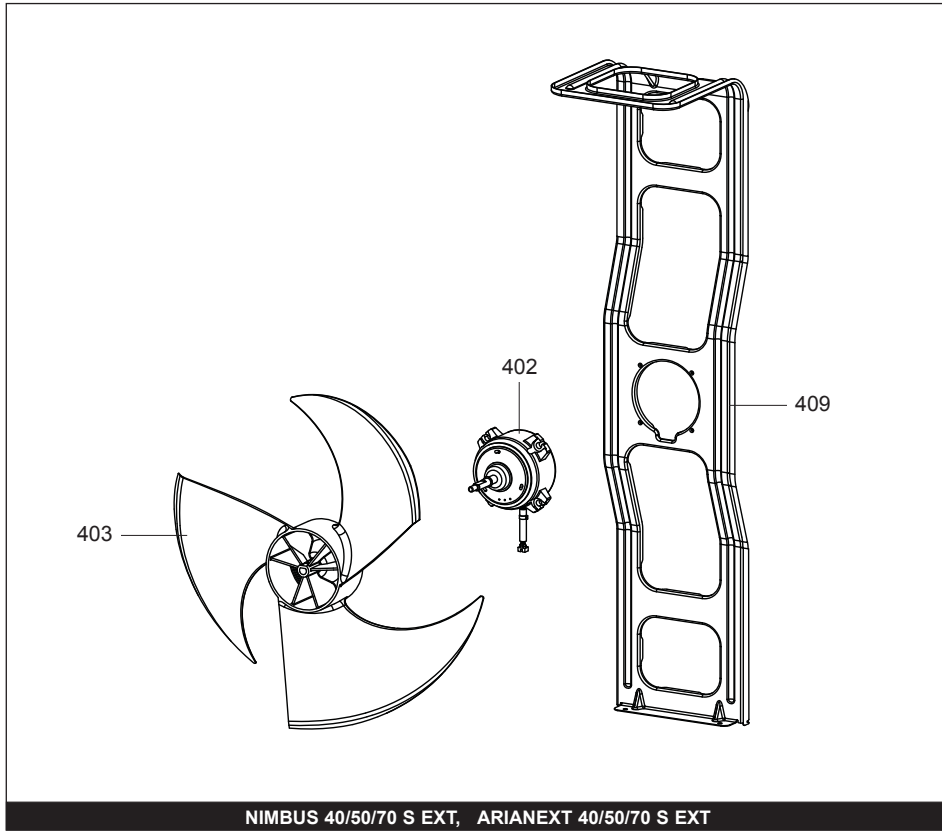
NIMBUS 40/50/70 S EXT



NIMBUS 90/110 S EXT

	Description	Manf. Pt. N	Type																			
				1	2	3	4	5	6	7	8	9	10	11	12	13	14	15	16	17	18	
0200	ELECTRICAL BOX																			From	to	
0203	3-POLES TERMINAL BLOCK	65153704								●	●	●	●								08/20	
0205	P.C.B. (INVERTER)	65115950-01		●	●																08/20	
	P.C.B. (INVERTER)	65115951-01				●	●														08/20	
	P.C.B. (INVERTER)	65115952-01						●	●												08/20	
	P.C.B. (INVERTER)	65117861								●	●											
	P.C.B. (INVERTER)	65117862										●	●									
	P.C.B. (INVERTER)	65115952						●	●												07/20	
	P.C.B. (INVERTER)	65115951				●	●														07/20	
	P.C.B. (INVERTER)	65115950		●	●																07/20	
0206	CONTROL BOARD	65153703								●	●	●	●									
0207	7-POLES TERMINAL BLOCK	65153096		●	●	●	●	●	●	●	●	●	●									
0209	WIRING (CONTROL BOARD-FILTER BOARD)	65154832								●	●	●	●								11/20	
0210	FILTER BOARD	65153702								●	●	●	●								11/20	
0213	POWER WIRING (INVERTER)	65153730								●	●	●	●								11/20	
	POWER WIRING (INVERTER)	65154886								●	●	●	●								12/20	
0214	WIRING (REACTOR)	65153732								●	●	●	●									
0216	PROBE TE	65153030	CN7,A17	●	●	●	●	●	●	●	●	●	●									
0217	PROBE TO & TD	65153029		●	●	●	●	●	●	●	●	●	●									
0218	PROBE TS	65153028	CN8,A18	●	●	●	●	●	●	●	●	●	●									
0219	PROBE TEO	65153031	CN15,A16	●	●	●	●	●	●	●	●	●	●									
0220	REACTOR R2050RJK	65153032		●	●	●	●	●	●													
	REACTOR R3005RJG-A	65153701								●	●	●	●									





NIMBUS 40 S EXT
 ARIANEXT 40 S EXT
 NIMBUS 50 S EXT
 ARIANEXT 50 S EXT
 NIMBUS 70 S EXT
 ARIANEXT 70 S EXT
 NIMBUS 90 S EXT
 ARIANEXT 90 S EXT
 NIMBUS 110 S EXT
 ARIANEXT 110 S EXT

31

☉⇒	Description	Manf. Pt. N	Type																			From	to
				1	2	3	4	5	6	7	8	9	10	11	12	13	14	15	16	17	18		
0400	FAN GROUP																						
0402	FAN MOTOR	65153040		●	●	●	●																
	FAN MOTOR	65153052						●	●	●	●	●	●	●									
0403	FAN	65153044		●	●	●	●	●	●	●	●	●	●	●									
0409	MOTOR MOUNTING BRACKET	65153041		●	●	●	●																
	MOTOR MOUNTING BRACKET	65153408						●	●														
	MOTOR MOUNTING BRACKET	65153416								●													
	MOTOR MOUNTING BRACKET	65153416									●												

LIST OF THE ABBREVIATIONS

HW	: Hot water.
CW	: Cold water.
C	: Ceramic resistance (normal heating).
Ca	: Ceramic resistance (accelerated heating)
TP	: Immersion heater.
1F	: With fittings.
2F	: Without fittings.
3F	: With fittings and another outlet connection.
AMI	: With mixing valve.
SMI	: Without mixing valve.
PUISS	: Power of th appliance.
PN	: Appliance with normal pression.
LP	: Appliance with low pression.
PV	: Appliance with variable power.
PF	: Appliance with fixed power.

The indications mentioned on the prices, commercial or technical literature and the scheme are written for your guidance and are available at a given time. The CONSTRUCTOR retains the power to modify the presentation, the form, the size, or the conception or the material of the products.
