



SPARE PARTS EXPLODED VIEW  
HEAT PUMPS

Model

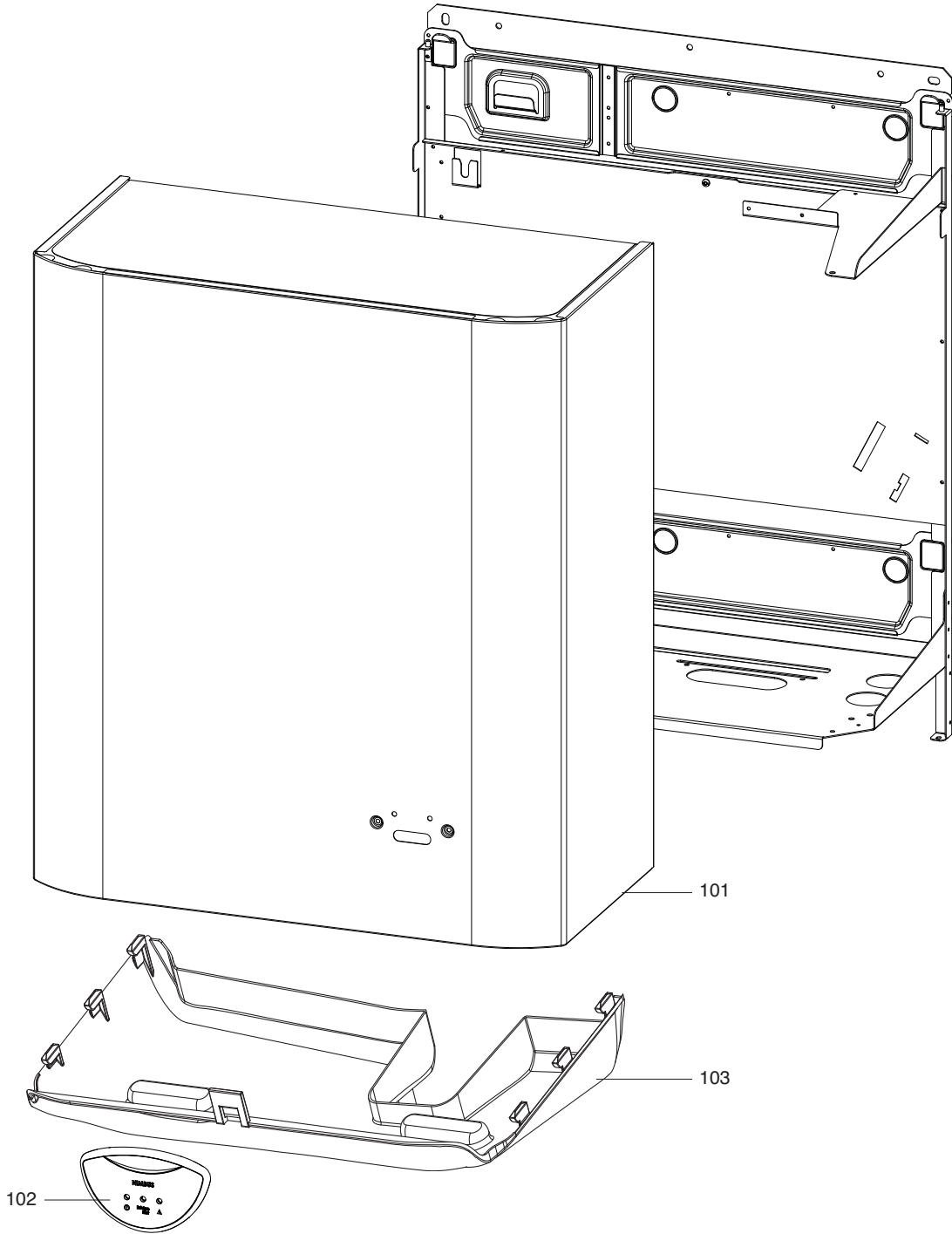
**NIMBUS WH S**

R8217574-08 - 26/03/2021

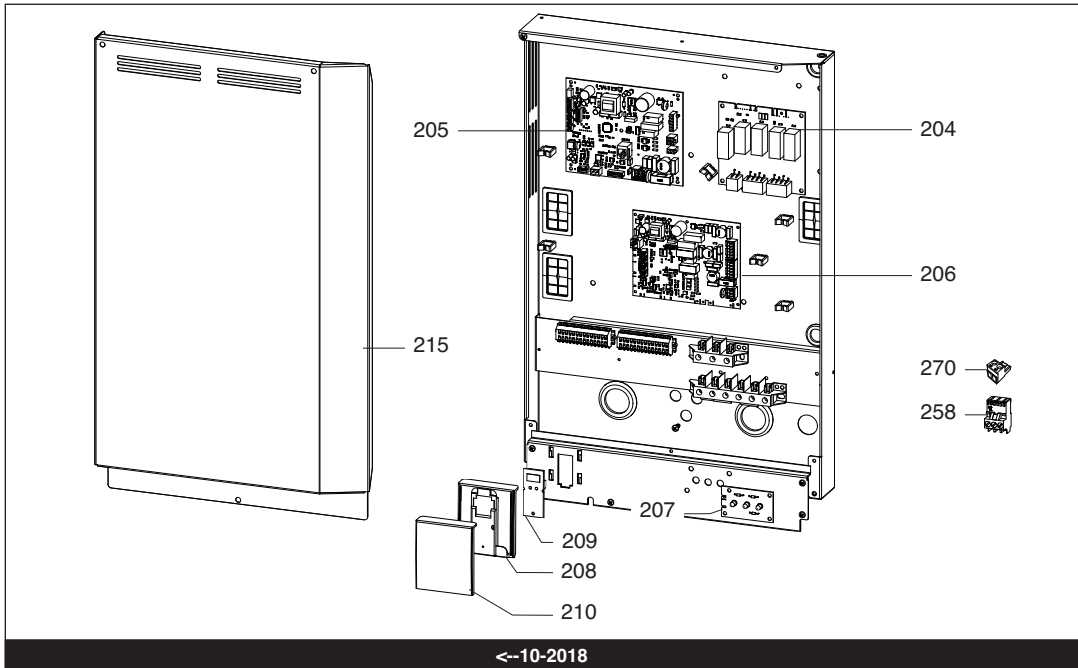
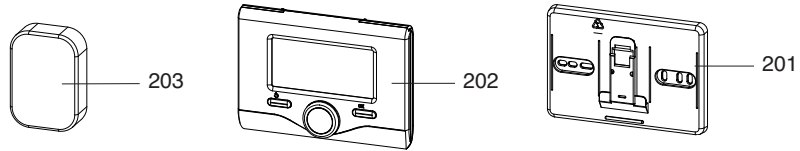
NIMBUS WH S

Heat pumps

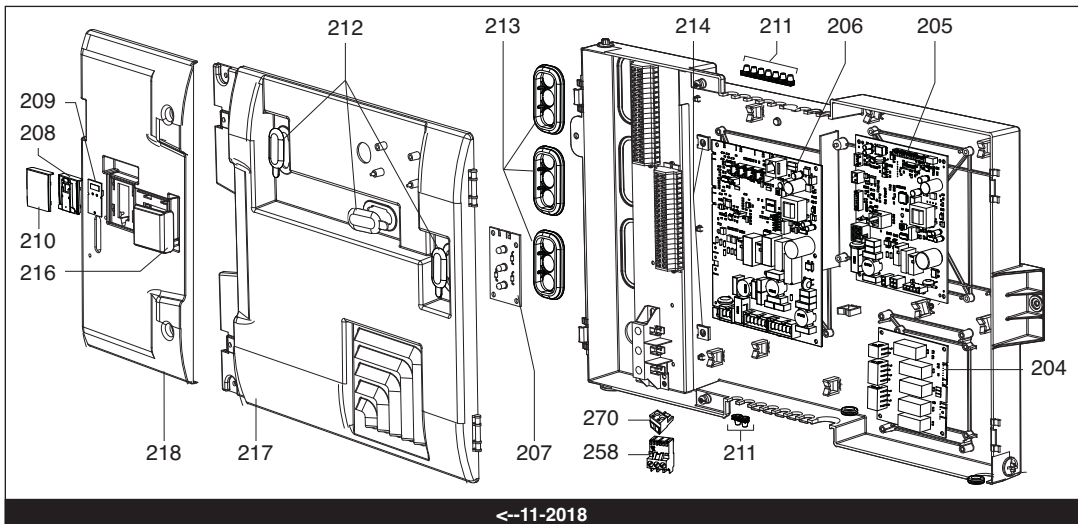
1	3300828	NIMBUS WH 4050 S	09-2016	-
2	3300829	NIMBUS WH 70 S	09-2016	-
3	3300830	NIMBUS WH 90110 S	09-2016	-
Col	Reference	Model type	Begin	End



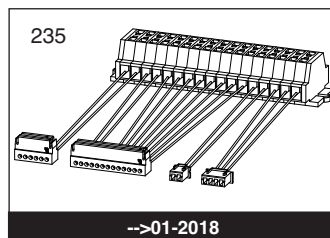
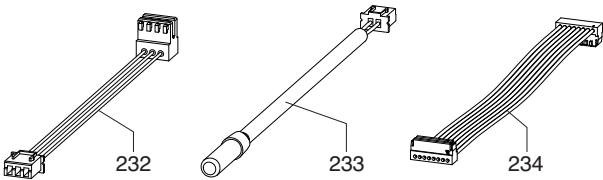




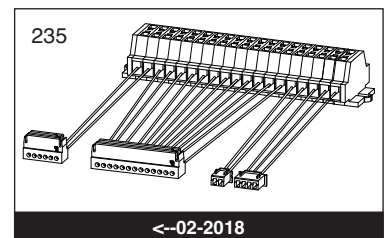
←-10-2018



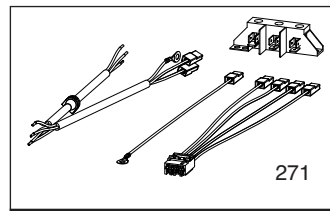
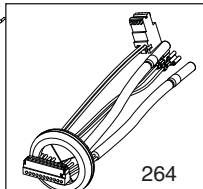
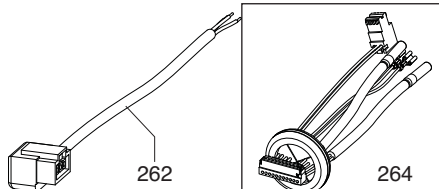
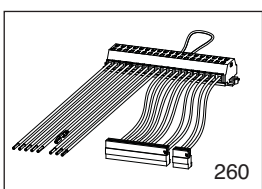
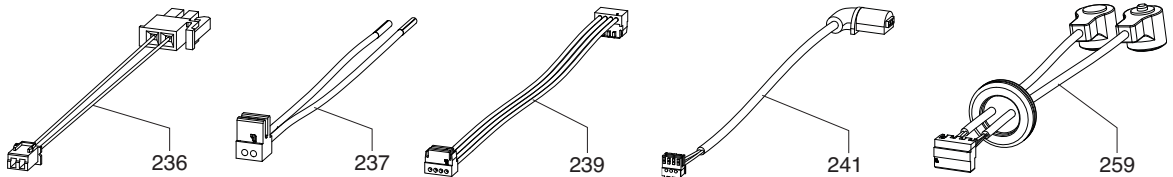
←-11-2018



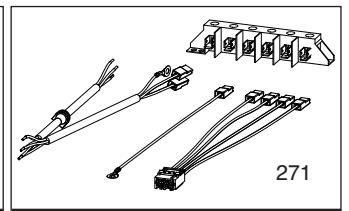
-->01-2018



←-02-2018



WH 4050 S

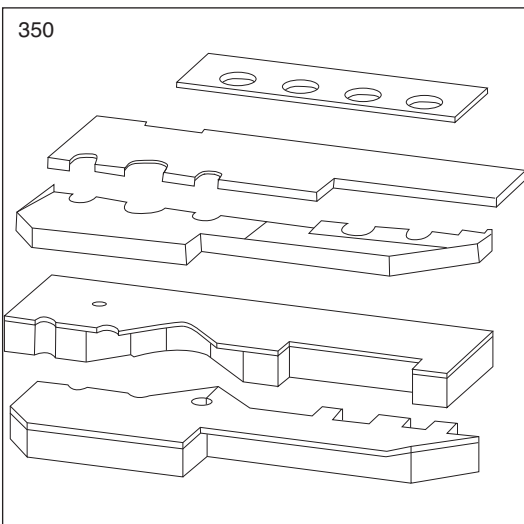
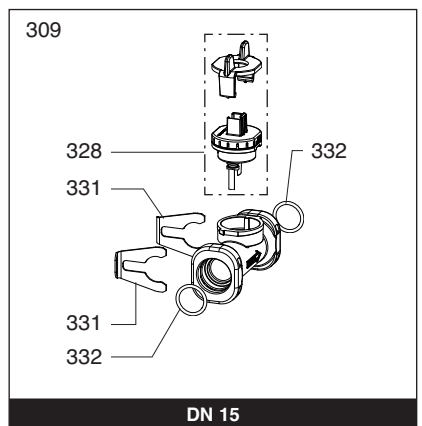
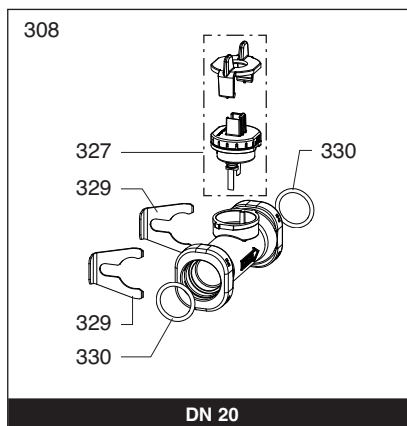
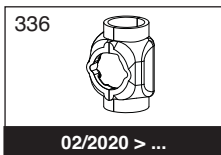
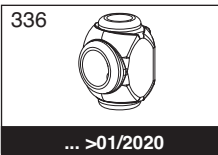
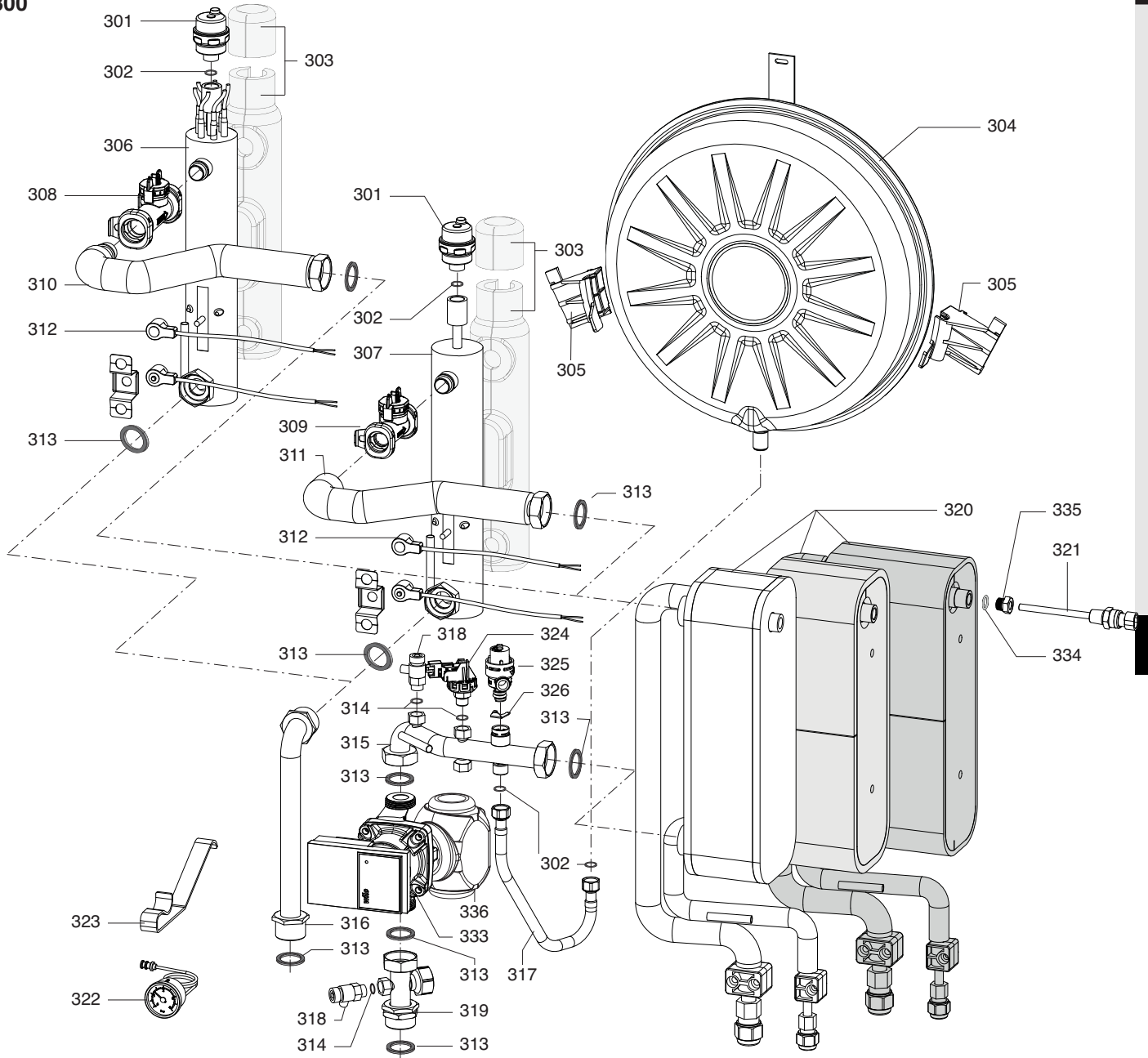


WH 70 S - WH 90110 S

☉⇒	Description	Manf. Pt. N	Type	<div style="display: flex; justify-content: space-between; align-items: center;"> <div style="border: 1px solid black; padding: 2px;">             4050 S 70 S 90/110 S           </div> <div style="border: 1px solid black; padding: 2px;">             31           </div> </div>																		From	to
				1	2	3	4	5	6	7	8	9	10	11	12	13	14	15	16	17	18		
0200	<b>ELECTRICAL BOX</b>																						
0201	WALL PLATE	65112824		●	●	●																	
0202	SYSTEM INTERFACE	65112083-07		●	●	●																	
0203	OUTDOOR SENSOR	65112215		●	●	●																	
0204	P.C.B. (BACKUP INTERFACE 3P)	65114946				●																	
	P.C.B. (BACKUP INTERFACE 3P)	65114946				●														02/17			
	P.C.B. (BACKUP INTERFACE)	65113481				●															01/17		
	P.C.B. (BACKUP INTERFACE)	65113481		●																			
0205	P.C.B. (TDM)	65153433-04		●	●	●														11/17			
	P.C.B. TDM	65117431		●	●	●															10/17		
0206	P.C.B. (ENERGY MANAGER)	65116780-04		●	●	●														11/17			
	P.C.B. ENERGY MANAGER	65115966		●	●	●															10/17		
0207	PC.B. (LED)	65113482		●	●	●																	
0208	SUPPORT FOR CONTROL BOX	65112146		●	●	●																	
0209	P.C.B. CONNECTOR	65112042		●	●	●																	
0210	COVER	65112145		●	●	●																	
0211	BLIND GROMMET	569720		●	●	●															11/18		
0212	GROMMET (PCD TOOL ACCESS)	998382		●	●	●															11/18		
0213	IGNITION ELECTRODE CABLE RUBBER	998147		●	●	●															11/18		
0214	SPRING CLIP	65117927		●	●	●															11/18		
0215	ELECTRIC BOX COVER WHH PCM3	65118222		●	●	●															10/18		
0216	INSERT (UPPER) CASE	65112122		●	●	●															11/18		
0217	ELECTRIC BOX FIXED COVER	65117825		●	●	●															11/18		
0218	ELECTRIC BOX MOBILE COVER	65117826		●	●	●															11/18		
0232	CONNECTING CABLE FLOWMETER	65115967-01		●	●	●																	
0233	PROBE TR	65115969		●	●	●																	
0234	CABLE ENERGY MANAGER-BACKUP INTERFACE	65117868		●	●	●															11/18		
	CONNECT. CABLE ENERGY MANAGER BACKUP	65116071		●	●	●															10/18		
0235	CONNECTING CABLE LOW VOLTAGE	65115970		●	●	●															01/18		
	CONNECTING CABLE LOW VOLTAGE	65116772		●	●	●														02/18			
0236	CONNECTING CABLE TDM LWT PROBE	65116074-01		●	●	●																	
0237	WIRING (USER INTERFACE)	65113491		●	●	●															10/18		
	WIRING FSU ZONE BUS	65116693		●	●	●															11/18		
0239	WIRING (LED P.C.B.)	65113493		●	●	●																	
0241	CABLE PUMP SPEED CONTROL (PWM)	65115973		●	●	●																	
0258	3-WAY-CONNECTOR LUMB. 3611	65113904		●	●	●																	
0259	WIRING THERMOSTATS PCM 3.1	65116480		●	●	●																	
0260	WIRING HIGH VOLTAGE	65119730-01		●	●	●																	
0262	WIRING PUMP YONOS PARA	65114995-01		●	●	●																	
0264	CONNECTING CABLE INT PROBES WHH	65116072-01		●	●	●																	
0270	3 STELVIO CONNECTORS CPF 5/2 VOL+TA+SE	65116809		●	●	●															11/18		
0271	CONNECTING CABLE 3 PHASE	65116073-01				●																	
	WIRING (POWER SUPPLY)	65116842-01		●																			
	WIRING 3P SUPPLY MEDIUM PCM3	65116779-01				●														02/17			
	WIRING SUPPLY	65115991				●															01/17		

NIMBUS WH S

Heat pumps





---

## LIST OF THE ABBREVIATIONS

HW .....	: Hot water.
CW .....	: Cold water.
C .....	: Ceramic resistance (normal heating).
Ca .....	: Ceramic resistance (accelerated heating)
TP .....	: Immersion heater.
1F .....	: With fittings.
2F .....	: Without fittings.
3F .....	: With fittings and another outlet connection.
AMI .....	: With mixing valve.
SMI .....	: Without mixing valve.
PUISS .....	: Power of th appliance.
PN .....	: Appliance with normal pression.
LP .....	: Appliance with low pression.
PV .....	: Appliance with variable power.
PF .....	: Appliance with fixed power.

---

The indications mentioned on the prices, commercial or technical literature and the scheme are written for your guidance and are available at a given time. The CONSTRUCTOR retains the power to modify the presentation, the form, the size, the conception or the material of the products.

---