



SPARE PARTS EXPLODED VIEW BOILERS

Model

BDR

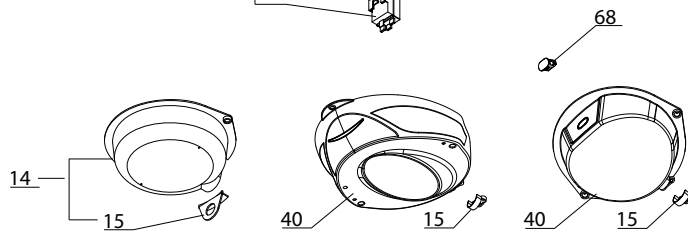
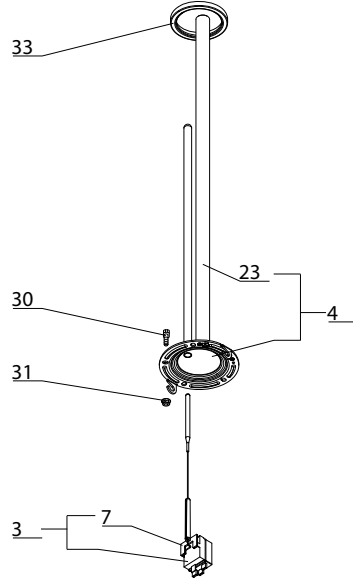
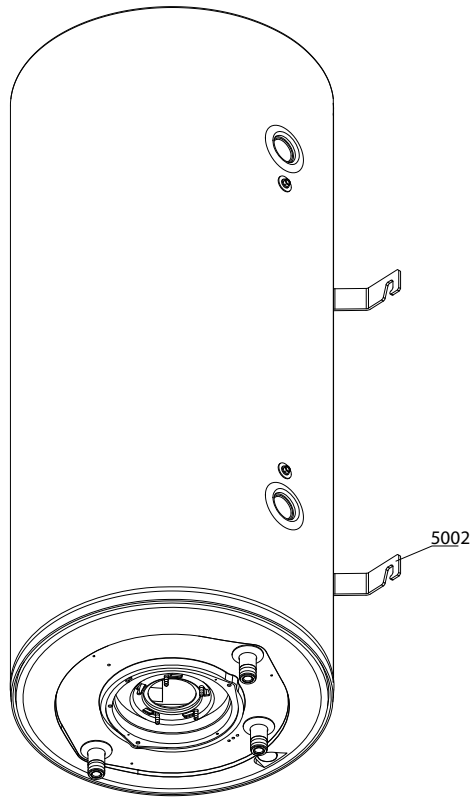
R8215931-10 - 28/11/2017

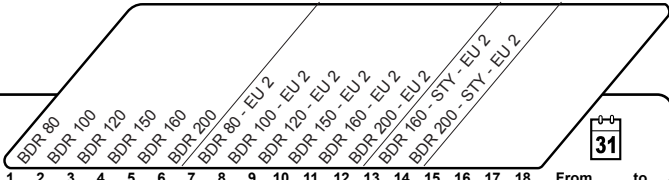
BDR

Boilers

1	006800	BDR- 80 ARIST.B/F +GUAINA	09-1997	05-2013
1	3070359	BDR CDS 80 AR	04-2013	09-2015
1	006832	BDR- 80 STYX C/GUAINA	09-1997	05-2013
1	3070411	BDR CDS 80 STYX	04-2013	09-2015
1	3070481	BDR CDS 80 ARI - EU	06-2015	09-2017
1	3070486	BDR CDS 80 STY - EU	06-2015	-
2	006801	BDR-100 ARIST.B/F +GUAINA	09-1997	05-2013
2	3070360	BDR CDS 100 AR	04-2013	09-2015
2	006833	BDR-100 STYX C/GUAINA	09-1997	05-2013
2	3070412	BDR CDS 100 STYX	04-2013	09-2015
2	3070482	BDR CDS 100 ARI - EU	06-2015	06-2017
2	3070487	BDR CDS 100 STY - EU	06-2015	-
3	3070408	BDR CDS 120 AR	04-2013	10-2015
3	3070483	BDR CDS 120 ARI - EU	06-2015	09-2017
4	3070409	BDR CDS 150 AR	04-2013	09-2015
4	006802	BDR-150 ARIST.B/F +GUAINA	09-1997	05-2013
4	006834	BDR-150 STYX C/GUAINA	09-1997	05-2013
4	3070484	BDR CDS 150 ARI - EU	06-2015	09-2017
5	3070415	BDR CDS 160 AR	03-2013	09-2015
5	3070413	BDR CDS 160 STYX	04-2013	09-2015
5	3070488	BDR CDS 150 STY - EU	06-2015	-
5	3060430	BDR CDS 160 ARI - EU	06-2015	07-2017
6	3070410	BDR CDS 200 AR	04-2013	09-2015
6	006803	BDR-200 ARIST.B/F +GUAINA	09-1997	05-2013
6	006835	BDR-200 STYX C/GUAINA	09-1997	05-2013
6	3070414	BDR CDS 200 STYX	04-2013	09-2015
6	3070485	BDR CDS 200 ARI - EU	06-2015	08-2017
6	3070489	BDR CDS 200 STY - EU	06-2015	-
7	3070581	BDR CDS 80 ARI - EU 2	09-2017	-
8	3070583	BDR CDS 100 ARI - EU 2	09-2017	-
9	3070584	BDR CDS 120 ARI - EU 2	09-2017	-
10	3070585	BDR CDS 150 ARI - EU 2	09-2017	-
11	3070560	BDR CDS 160 ARI - EU 2	09-2017	-
12	3070586	BDR CDS 200 ARI - EU 2	09-2017	-
13	3070561	BDR CDS 150 STY - EU 2	09-2017	-
14	3070559	BDR CDS 200 STY - EU 2	09-2017	-

Col Reference Model type Begin End



☉⇒	Description	Manf. Pt. N	Type																			From	to
				1	2	3	4	5	6	7	8	9	10	11	12	13	14	15	16	17	18		
0003	SWITCH THERMOSTAT	65108539		•	•	•	•	•	•	•	•	•	•	•	•	•	•	•	•				
0004	FLANGE	65103184		•	•		•	•													01/09		
	FLANGE	65103322		•	•		•	•												02/09	02/13		
	FLANGE WITH ANODE	60002154		•	•	•	•	•	•	•	•	•	•	•	•	•	•	•	•	03/13			
0007	THERMOSTAT SUPPORT	65108540		•	•	•	•	•	•	•	•	•	•	•	•	•	•	•	•				
0014	PLASTIC COVER	220283		•	•		•	•													12/07		
	PLASTIC COVER	60002276		•	•		•	•						•	•					03/13			
	PLASTIC COVER	65106536		•	•		•	•												01/08	02/13		
0015	CABLE BUSHING	65113517												•	•								
	CABLE BUSHING	65113517		•	•			•	•	•	•	•	•	•	•	•	•	•	•	12/13			
	WIRE PIN BRACKET	926124		•	•			•	•											03/13	11/13		
0023	ANODE D:18 L:600 M5-M8	919031-01					•	•					•	•			•	•					
	ANODE D:21,3 L:550 M5-M8	993207-01			•	•						•	•										
	ANODE D:21,3 L:800 M8	291086						•											•				
	ANODE D:25,5 L:230 M5-M8	993014-01		•								•											
0030	SCREW M6X20	65151225		•	•	•	•	•	•	•	•	•	•	•	•	•	•	•	•	03/13			
	SCREW M8X20	570316		•	•		•	•													02/13		
0031	LOCK NUT M6	994140		•	•	•	•	•	•	•	•	•	•	•	•	•	•	•	•	03/13			
	NUT M8	570127		•	•		•	•													02/13		
0033	FLANGE GASKET	65108538		•	•		•	•												02/09	02/13		
	FLANGE GASKET (5 HOLES)	65150952-FA		•	•	•	•	•	•	•	•	•	•	•	•	•	•	•	•	03/13			
	FLANGE GASKET (D.75)	290173		•	•		•	•													01/09		
0040	COVER	60002180		•	•	•	•	•	•	•	•	•	•	•	•	•	•	•	•	03/13			
	COVER	60002910												•	•	•	•	•	•				
0068	LIGHT SIGNAL	60002898												•	•	•	•	•	•				
5000	ACCESSORIES																						
5002	WALL FIXING BRACKET D:470-505-560-570	912006		•	•	•	•	•	•	•	•	•	•	•	•	•	•	•	•				

Boilers BDR

LIST OF THE ABBREVIATIONS

HW	: Hot water.
CW	: Cold water.
C	: Ceramic resistance (normal heating).
Ca	: Ceramic resistance (accelerated heating)
TP	: Immersion heater.
1F	: With fittings.
2F	: Without fittings.
3F	: With fittings and another outlet connection.
AMI	: With mixing valve.
SMI	: Without mixing valve.
PUISS	: Power of th appliance.
PN	: Appliance with normal pression.
LP	: Appliance with low pression.
PV	: Appliance with variable power.
PF	: Appliance with fixed power.

IDENTIFICATION PLATE

SERIAL NUMBER

9 Characters : 07 91 00301 (from 01/77 to 12/92)

Month of manufacture 07 91 00301 Sequential number
Year of manufacture 07 91 00301

10 Characters : 95 01 065004 (from 01/93 to 06/95)

Year of manufacture 95 01 065004 Sequential number
Month of manufacture 95 01 065004

OU

10 Characters : 01 95 065004 (from 07/95)

Month of manufacture 01 95 065004 Sequential number
Year of manufacture 01 95 065004

12 Characters : 924 2 3 134 0115

Product reference 924 2 3 134 0115 Sequential number
Year of manufacture 924 2 3 134 0115 Manufacturing day

15 ou 16 Characters : (0)03 070 0001 893077 (from 01/97 to 01/05)

Year of manufacture (0)03 070 0001 893077 Product reference
Day of manufacture (0)03 070 0001 893077 Sequential number

OU

16 Characters : 05 070 0001 0000000 (from 02/05)

Year of manufacture 05 070 0001 0000000 Product reference
Day of manufacture 05 070 0001 0000000 Sequential number

17 Characters : 07 070 00315 3070107

Year of manufacture 07 070 00315 3070107 Product reference
Sequential number
Manufacturing day (70)

21 Characters : 3000115 XX 08115 0000001

Product reference 3000115 XX 08115 0000001 Sequential number
Year (08) / Manufacturing day (115)

22 Characters : 3000115 XX 070416 0000001

Product reference 3000115 XX 070416 0000001 Sequential number
Year (07) / Month (04) / Manufacturing day (16)