



ARISTON

SPARE PARTS EXPLODED VIEW GAS-WALL BOILER ATM. BURNER

Model

CLAS

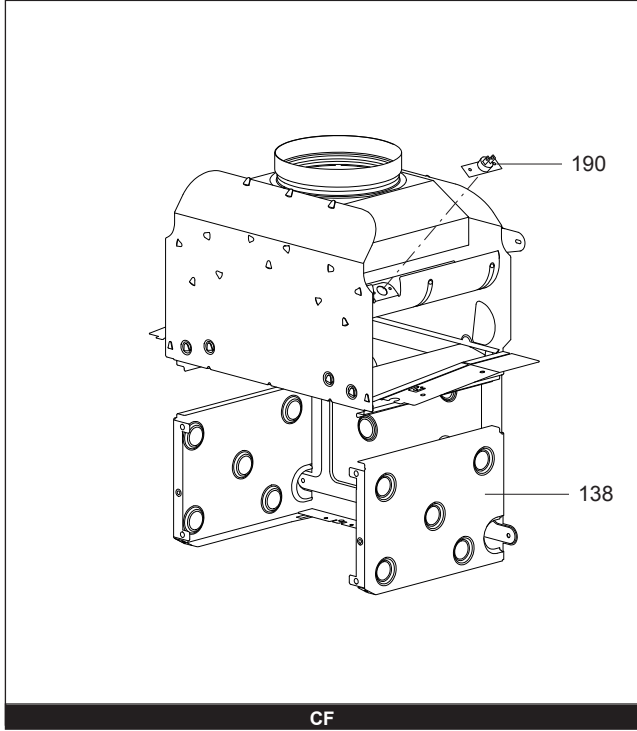
R8215830-06 - 14/02/2019

CLAS - CLAS SYSTEM

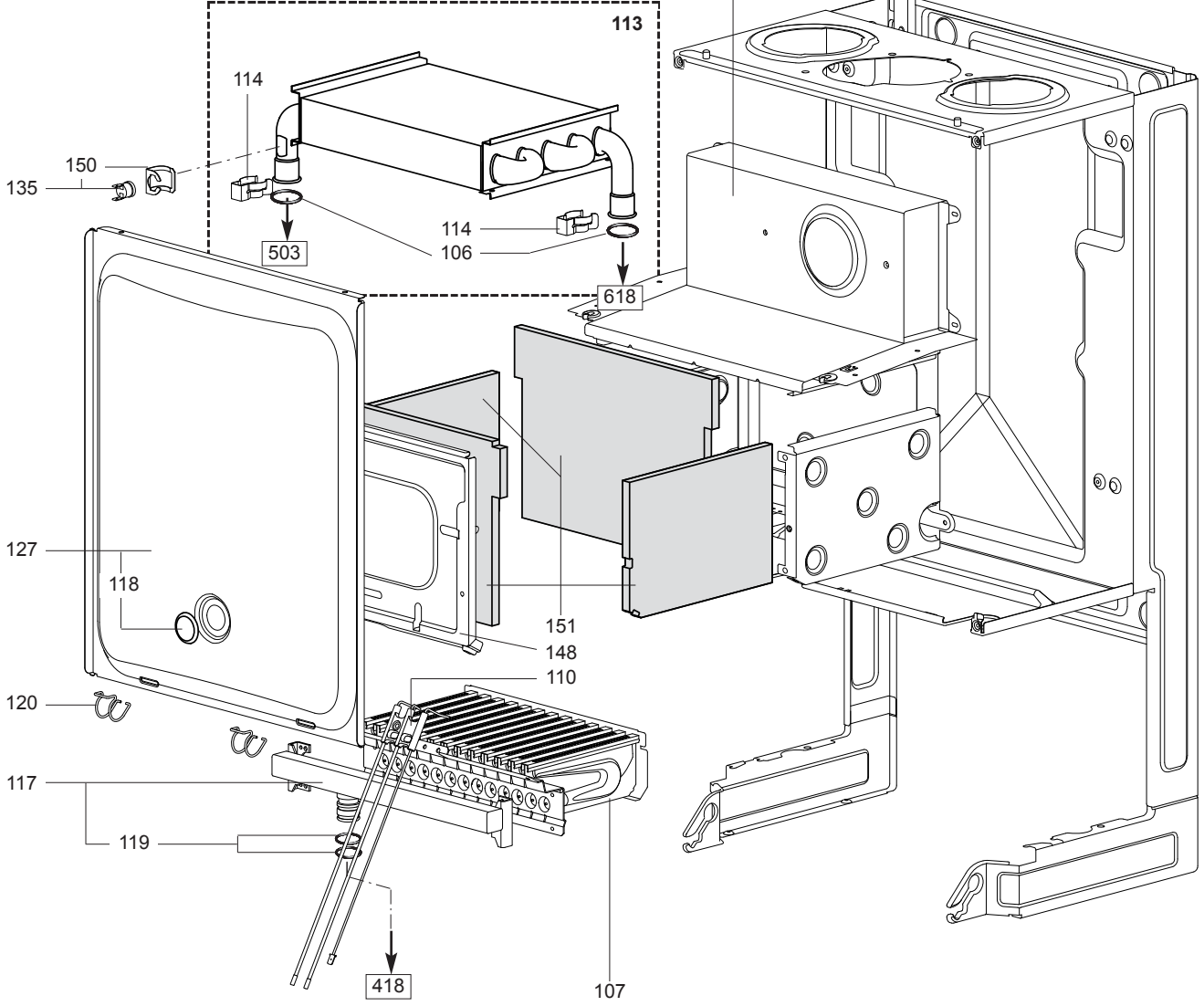
Gas-wall boiler atm. burner

1	3300218	CLAS 24 CF NG (FR BE)	03-2007	09-2010
1	3300217	CLAS 24 CF LPG (FR)	10-2006	02-2008
2	3300173	CLAS 24 VMC NG	05-2008	12-2008
3	3300216	CLAS 24 FF NG (FR BE)	03-2007	09-2010
3	3300219	CLAS 24 FF LPG (FR)	10-2006	02-2008
4	3300170	CLAS 28 FF NG (FR BE)	03-2007	06-2007
4	3300171	CLAS 28 FF LPG (FR BE)	10-2006	02-2008
5	3300168	CLAS 32 FF NG (FR BE)	04-2007	06-2007
5	3300169	CLAS 32 FF LPG (FR)	03-2007	06-2007
6	3300232	CLAS 24 CF SYSTEM NG FR	05-2008	12-2008
7	3300231	CLAS 24 FF SYSTEM NG FR	05-2008	12-2008

Col	Reference	Model type	Begin	End
-----	-----------	------------	-------	-----



CF



☉⇒	Description	Manf. Pt. N	Type	<div style="display: flex; justify-content: space-between; align-items: center;"> <div style="writing-mode: vertical-rl; transform: rotate(180deg); font-size: 8px;">CLAS 24 CF</div> <div style="writing-mode: vertical-rl; transform: rotate(180deg); font-size: 8px;">CLAS 24 IMC</div> <div style="writing-mode: vertical-rl; transform: rotate(180deg); font-size: 8px;">CLAS 24 FF</div> <div style="writing-mode: vertical-rl; transform: rotate(180deg); font-size: 8px;">CLAS 18 FF</div> <div style="writing-mode: vertical-rl; transform: rotate(180deg); font-size: 8px;">CLAS 32 FF</div> <div style="writing-mode: vertical-rl; transform: rotate(180deg); font-size: 8px;">CLAS 24 CF</div> <div style="writing-mode: vertical-rl; transform: rotate(180deg); font-size: 8px;">CLAS 24 FF</div> </div>																		 31	
				1	2	3	4	5	6	7	8	9	10	11	12	13	14	15	16	17	18	From	to
0100	SEALED CASE																						
0106	O-RING 17.86X2.62	61308091		•	•	•	•	•	•														
0107	BURNER 11NP	65106294				•															03/08		
	BURNER 13NP	60001582		•	•																	02/08	
	BURNER 13NP	65104220				•																	
	BURNER 13NP	65104220					•			•													
	BURNER 15NP	65105027						•															
0110	ELECTRODE (IGNITION/IONIZATION)	65104549		•	•	•	•	•	•	•													
0113	HEAT EXCHANGER	65104246				•																02/08	
	HEAT EXCHANGER	65104246					•															12/09	
	HEAT EXCHANGER	65104246					•																
	HEAT EXCHANGER	65104247		•	•					•													
	HEAT EXCHANGER	65105041						•															
	HEAT EXCHANGER	65106297				•															03/08		
	HEAT EXCHANGER	65111932					•														01/10		
0114	CLIP	61307589		•	•	•	•	•	•	•													
0117	GAS MANIFOLD 11 INJ. D:0.80	65106605	LG			•															03/08		
	GAS MANIFOLD 11 INJ. D:1.32	65106302	NG			•															03/08		
	GAS MANIFOLD 13 INJ. D:0.76	65104223	LG			•																02/08	
	GAS MANIFOLD 13 INJ. D:0.76	65104223	LG	•																			
	GAS MANIFOLD 13 INJ. D:0.80	65104225	LG				•																
	GAS MANIFOLD 13 INJ. D:1.25	65104302	NG			•																02/08	
	GAS MANIFOLD 13 INJ. D:1.25	65104302	NG	•	•					•													
	GAS MANIFOLD 13 INJ. D:1.32	65104226	NG					•															
	GAS MANIFOLD 15 INJ. D:0.78	65105043	LG						•														
	GAS MANIFOLD 15 INJ. D:1.32	65105037	NG						•														
0118	SIGHT GLASS	65104232				•	•	•	•	•													
0119	O-RING 17.17X1.78	65104303		•	•	•	•	•	•	•													
0120	SPRING FRONT PANEL (KIT)	65104298				•																05/09	
	SPRING FRONT PANEL (KIT)	65104298				•				•													
	SPRING FRONT PANEL (KIT)	65107048				•															06/09		
0127	PANEL (FRONT - SEALED CHAMBER)	65105678-02				•	•																
	PANEL (FRONT - SEALED CHAMBER)	65105679-02						•															
0135	THERMOSTAT 102°C	65104500		•	•	•	•	•	•	•													
0138	COMBUSTION CHAMBER 24 CF	65104218		•	•					•												02/08	
	COMBUSTION CHAMBER 24/28 FF	65104219				•																	
	COMBUSTION CHAMBER 24/28 FF	65104219					•															03/08	
	COMBUSTION CHAMBER 35 FF	65105040						•															
0148	PANEL (COMBUSTION CHAMBER)	65104240				•																02/08	
	PANEL (COMBUSTION CHAMBER)	65104240		•	•			•		•													
	PANEL (COMBUSTION CHAMBER)	65105033						•															
	PANEL (COMBUSTION CHAMBER)	65106296				•															03/08		
0150	CLIP	61010050		•	•	•	•	•	•	•													
0151	PANELS (KIT)	65104695				•																02/08	
	PANELS (KIT)	65104695		•	•			•		•													
	PANELS (KIT)	65105029						•															
	PANELS (KIT)	65106298				•															03/08		
0190	OVERHEAT THERMOSTAT 49C	61310767			•																		
	THERMOSTAT 75-65°C	999539		•						•													

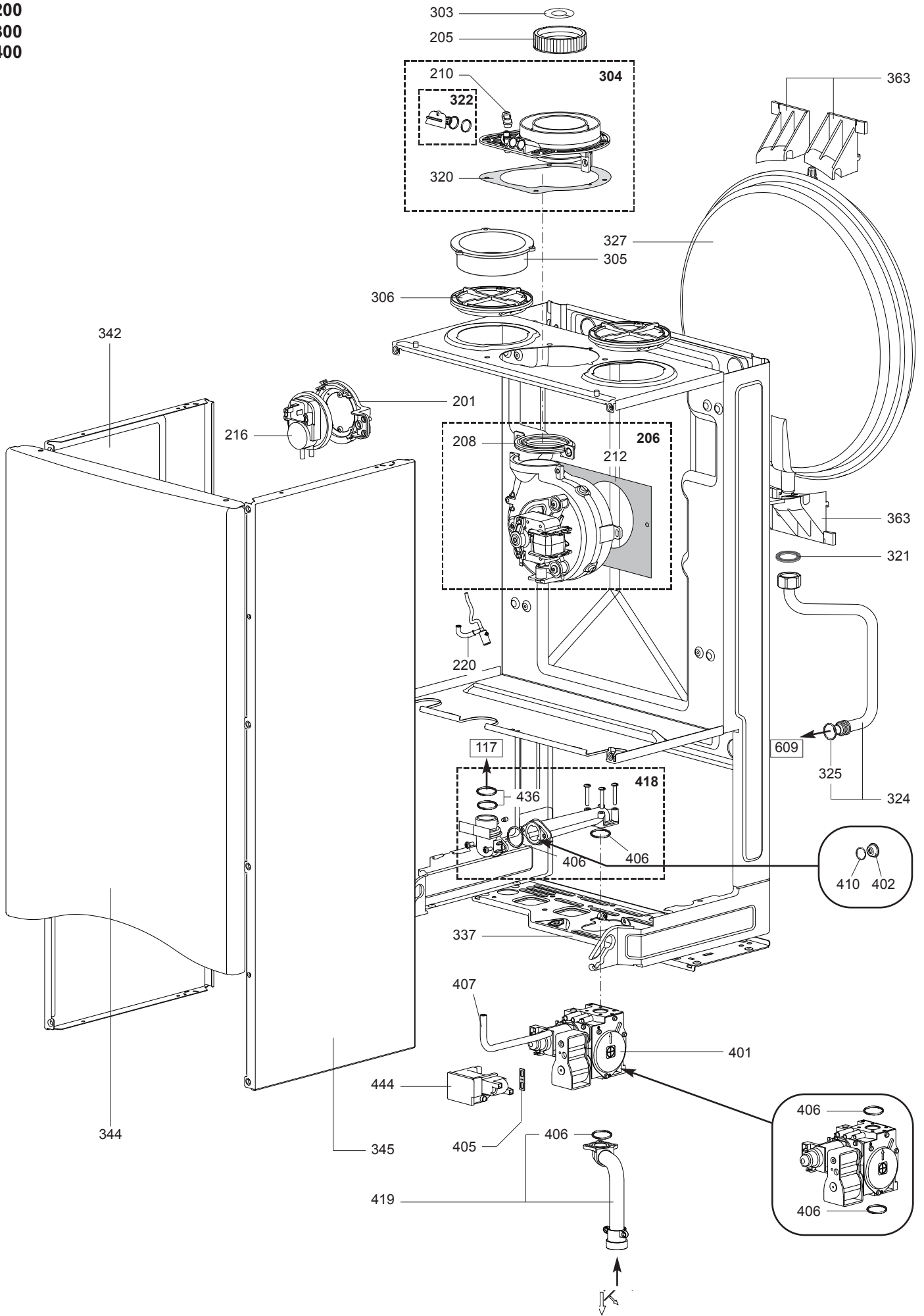
CLAS - CLAS SYSTEM

Gas-wall boiler atm. burner

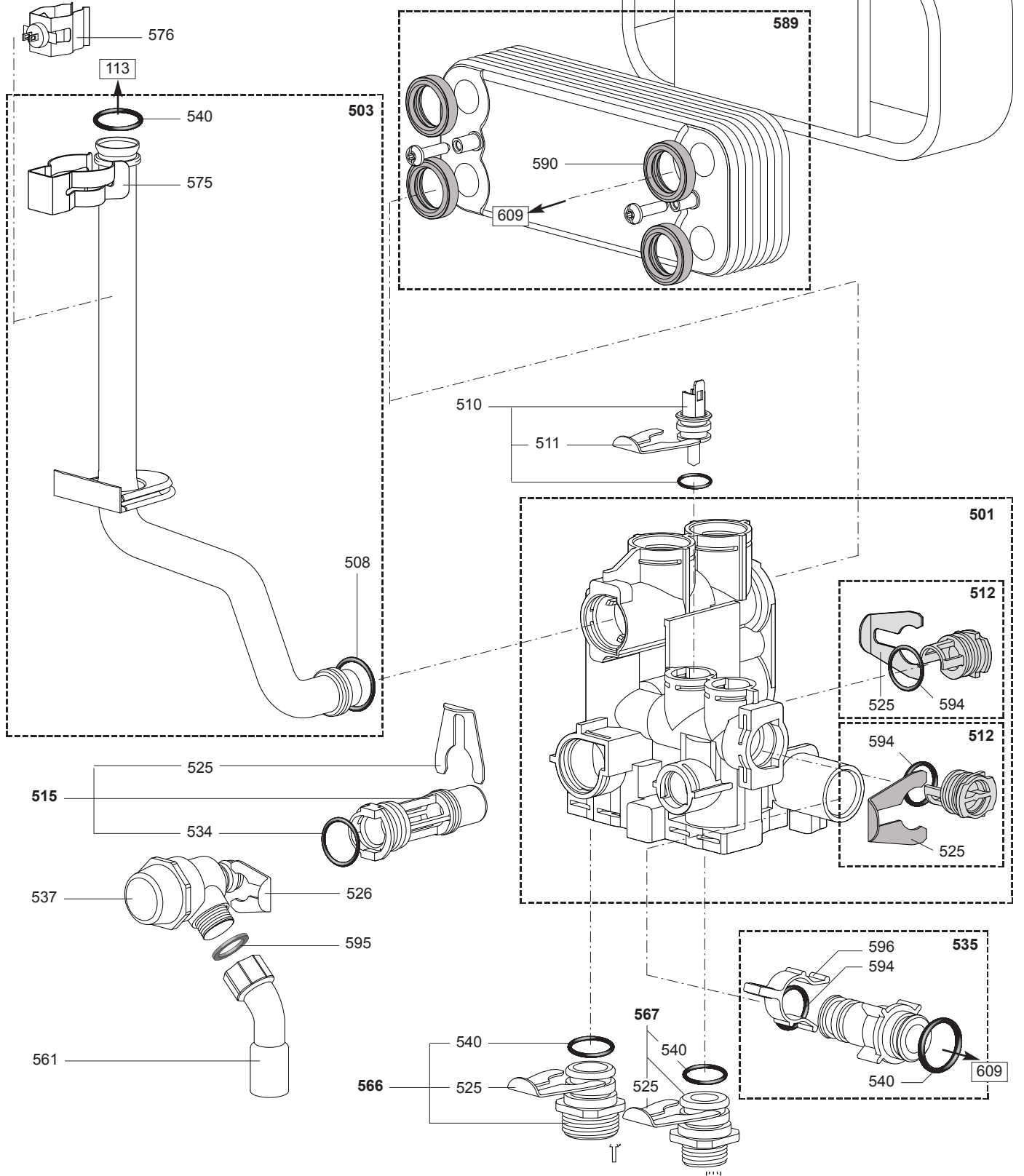
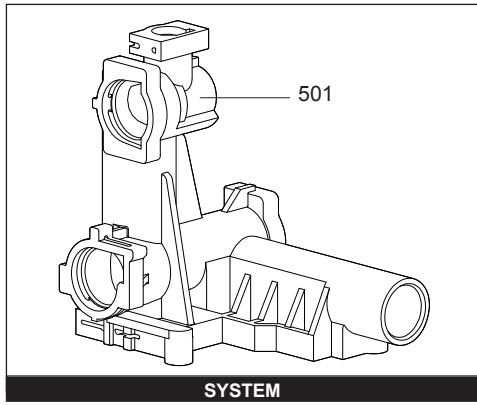
200
300
400

CLAS - CLAS SYSTEM

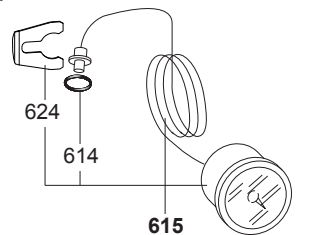
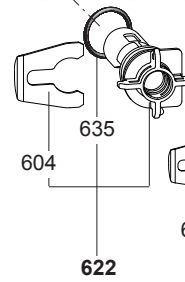
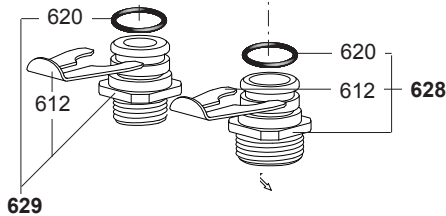
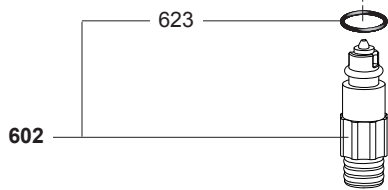
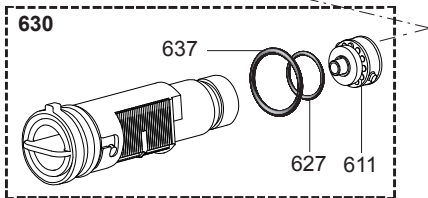
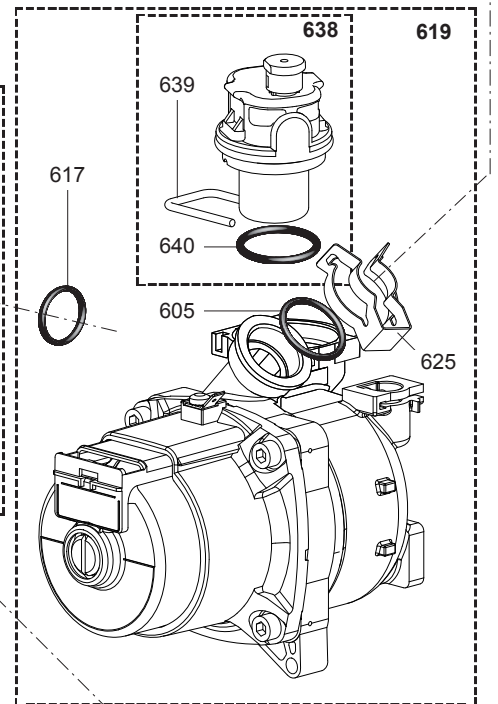
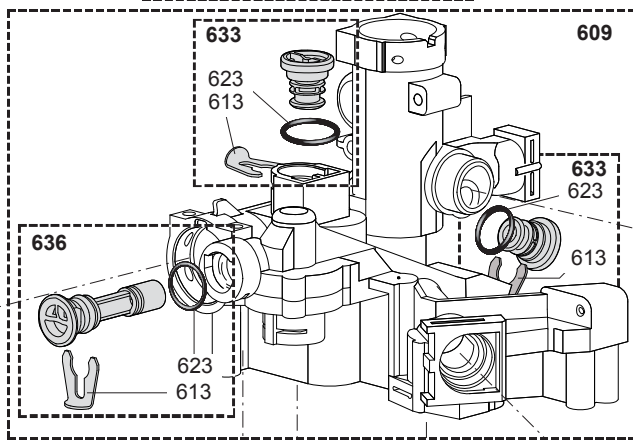
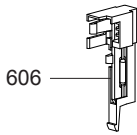
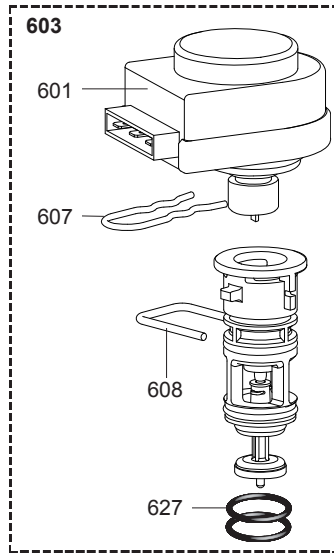
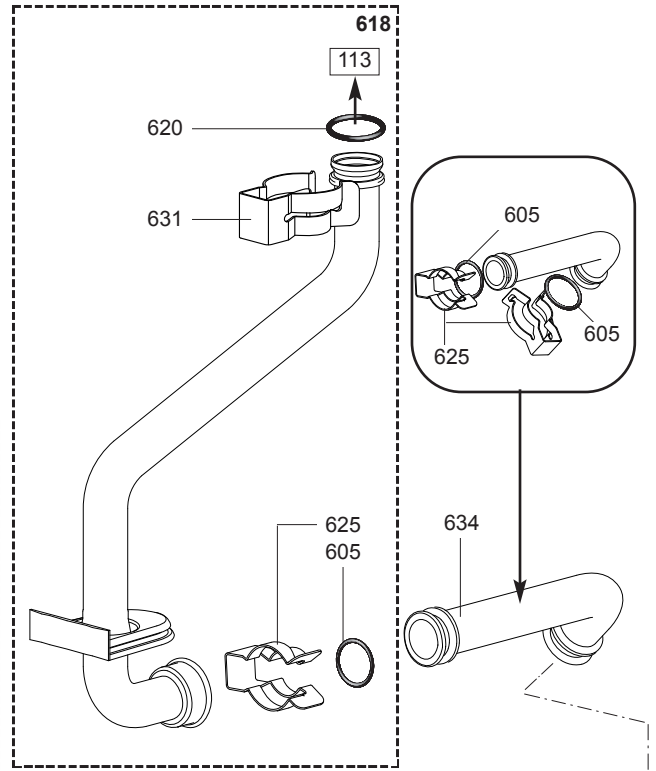
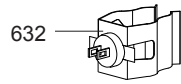
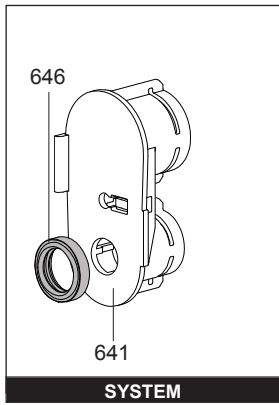
Gas-wall boiler atm. burner



☉⇒	Description	Manf. Pt. N	Type	<div style="display: flex; justify-content: space-between; align-items: center;"> <div style="writing-mode: vertical-rl; transform: rotate(180deg); font-size: small;"> CLAS 24 CF CLAS 24 IMC CLAS 24 FF CLAS 18 FF CLAS 32 FF CLAS 24 CF CLAS 24 FF </div> <div style="border: 1px solid black; padding: 2px;"> 31 </div> </div>																		From	to
				1	2	3	4	5	6	7	8	9	10	11	12	13	14	15	16	17	18		
0200	FAN ASSEMBLY																						
0201	SUPPORT (AIR PRESSURE SWITCH)	65104378					●	●	●	●													
0205	COLLAR GASKET	65104258					●	●	●														
0206	FAN	65104357					●																
	FAN	65104452						●	●														
0207	EARTH WIRE	65104286					●	●	●														
0208	FAN GASKET	65104257					●	●	●														
0209	VENTURI 15/24FF	65106516					●																
	VENTURI 28/30FF	65106515						●	●														
0210	AIR INTAKE COVER	573329					●	●	●														
0212	PANEL (INSULATION - FAN)	65104305					●	●	●														
0216	AIR PRESSURE SWITCH 50 Pa	65104671-01					●																
	AIR PRESSURE SWITCH 74 Pa	65104672-01						●	●														
0220	CONDENSATE TRAP	65104623					●	●	●														
0300	CHASSIS-FRONT CASE																						
0303	RESTRICTOR KIT	60001598						●	●	●													
0304	FLUE (EXHAUST MANIFOLD/HEADER)	65105393						●	●	●													
0305	AIR RETURN MANIFOLD	65104710						●	●	●													
0306	AIR RETURN COVER	65104249						●	●	●													
0320	GASKET	60000317						●	●	●													
0321	GASKET 3/8»	573521					●	●	●	●	●	●	●	●	●	●	●	●	●				
0322	FLUE INTAKE PLUG	65104295						●	●	●													
0324	PIPE (EXPANSION VESSEL)	65104253					●	●	●	●	●	●	●	●	●	●	●	●	●				
0325	O-RING 8.9X2.7	61009834-14					●	●	●	●	●	●	●	●	●	●	●	●	●				
0327	EXPANSION VESSEL 8L	65104261					●	●	●	●	●	●	●	●	●	●	●	●	●				
0328	CLIP D18	65104259					●	●	●	●	●	●	●	●	●	●	●	●	●				
0337	HYDRAULIC GROUP SUPPORT	65104311					●	●	●	●	●	●	●	●	●	●	●	●	●				
0342	CASE PANEL (L.H. SIDE)	65104242					●	●	●	●	●	●	●	●	●	●	●	●	●		05/07		
	CASE PANEL (L.H. SIDE)	65105676					●	●	●	●	●	●	●	●	●	●	●	●	●	06/07			
0344	CASE PANEL (FRONT)	65104299					●	●	●	●													
	CASE PANEL (FRONT)	65105031								●													
0345	CASE PANEL (R.H. SIDE)	65104241					●	●	●	●	●	●	●	●	●	●	●	●	●		05/07		
	CASE PANEL (R.H. SIDE)	65105677					●	●	●	●	●	●	●	●	●	●	●	●	●	06/07			
0363	EXPANSION VESSEL SUPPORT	65104696					●	●	●	●	●	●	●	●	●	●	●	●	●				
0400	GAS SECTION																						
0401	GAS VALVE	65104254					●	●	●	●	●	●	●	●	●	●	●	●	●				
0402	GAS RESTRICTOR D: 6.3	60000018	NG				●	●	●														
	GAS RESTRICTOR D: 6.4	60000501	NG																●				
	RESTRICTOR D: 6.9	65105154	NG																●				
	RESTRICTOR D: 7	65105152	NG							●													
0405	GASKET (SPARK GENERATOR)	574279					●	●	●	●	●	●	●	●	●	●	●	●	●				
0406	O-RING 22.22X2.62	65104304					●	●	●	●	●	●	●	●	●	●	●	●	●				
0407	EPDM PIPE	65104296					●	●	●	●	●	●	●	●	●	●	●	●	●				
0410	O-RING 14X2	60000903	NG				●	●	●	●	●	●	●	●	●	●	●	●	●				
0418	PIPE (GAS VALVE/BURNER)	65104230					●	●	●	●	●	●	●	●	●	●	●	●	●				
0419	GAS TUBE	65104251					●	●	●	●	●	●	●	●	●	●	●	●	●				
0436	O-RING 17.17X1.78	65104303					●	●	●	●	●	●	●	●	●	●	●	●	●				
0444	SPARK GENERATOR	65104653					●	●	●	●	●	●	●	●	●	●	●	●	●				



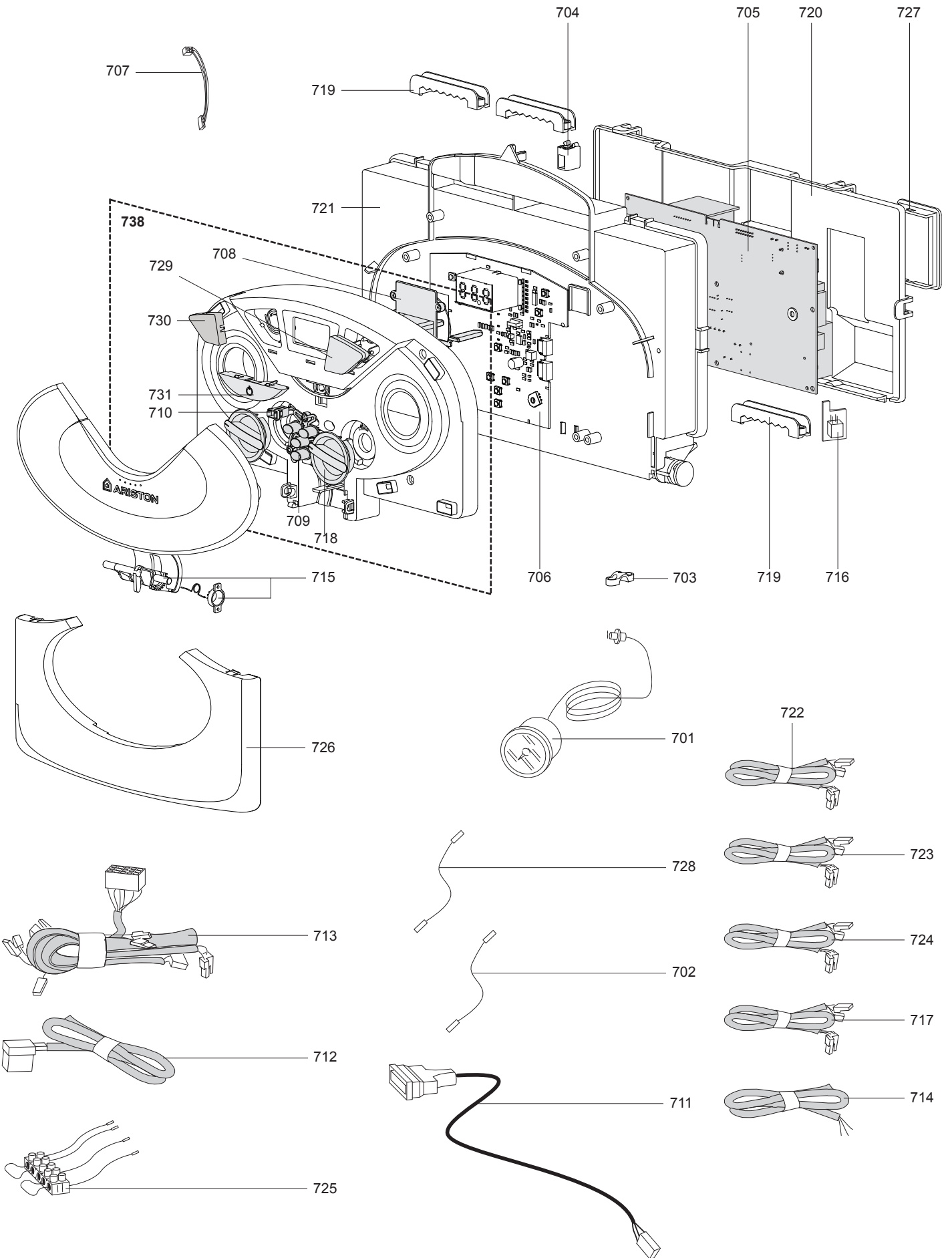
② →	Description	Manf. Pt. N	Type	<div style="border: 1px solid black; padding: 2px;"> <div style="display: flex; justify-content: space-around; font-size: 8px;"> CLAS 24 CF CLAS 24 IMC CLAS 24 FF CLAS 18 FF CLAS 32 FF CLAS 24 CF CLAS 24 FF </div> <div style="text-align: center; font-size: 12px; border: 1px solid black; width: 30px; margin: 5px auto;">31</div> </div>																		From	to
				1	2	3	4	5	6	7	8	9	10	11	12	13	14	15	16	17	18		
0500	FLOW GROUP																						
0501	FLOW GROUP	65105091-01									●	●											
	FLOW GROUP KIT	60002320		●	●	●	●	●															
0503	PIPE (C.H. FLOW)	65104252					●						●									02/08	
	PIPE (C.H. FLOW)	65104252		●	●			●					●										
	PIPE (C.H. FLOW)	65105035										●											
	PIPE (C.H. FLOW)	65106309				●																03/08	
0508	O-RING 17.04X3.53	65104262		●	●	●	●	●	●	●	●	●											
0510	NTC PROBE	65104338		●	●	●	●	●	●	●													
0511	CLIP	65104339		●	●	●	●	●	●	●													
0512	PLUG	65104445		●	●	●	●	●	●	●	●	●											
0515	BY-PASS	65104336		●	●	●	●	●	●	●	●	●											
0525	CLIP D18	65104259		●	●	●	●	●	●	●													
0526	CLIP D10	65104260		●	●	●	●	●	●	●													
0534	O-RING 17.96X2.62	65104337		●	●	●	●	●	●	●	●	●											
0535	BY-PASS PIPE	65104340		●	●	●	●	●	●	●	●	●											
0537	PRESSURE RELIEF VALVE (3 BAR)	61312668		●	●	●	●	●	●	●	●	●											
0540	O-RING 17.86X2.62	61308091		●	●	●	●	●	●	●	●	●											
0561	PIPE (SAFETY VALVE)	65104447		●	●	●	●	●	●	●	●	●											
0566	UNION (3/4»)	65104326		●	●	●	●	●	●	●	●	●											
0567	UNION (1/2»)	65104327		●	●	●	●	●	●	●	●	●											
0575	CLIP	61307589		●	●	●	●	●	●	●	●	●											
0576	TEMPERATURE PROBE + CLIP	990686-01		●	●	●	●	●	●	●	●	●											
0589	SANITARY HEAT EXCHANGER (16 P.)	65104333		●	●	●	●	●	●	●													
0590	EXCHANGER GASKET	65104334		●	●	●	●	●	●	●													
0594	O-RING 15.54X2.62	65104325		●	●	●	●	●	●	●	●	●											
0595	SHEET GASKET D: 13.9-10.4-1.5	60061853-02		●	●	●	●	●	●	●	●	●											
0596	CLIP (BY-PASS PIPE)	65104700		●	●	●	●	●	●	●	●	●											



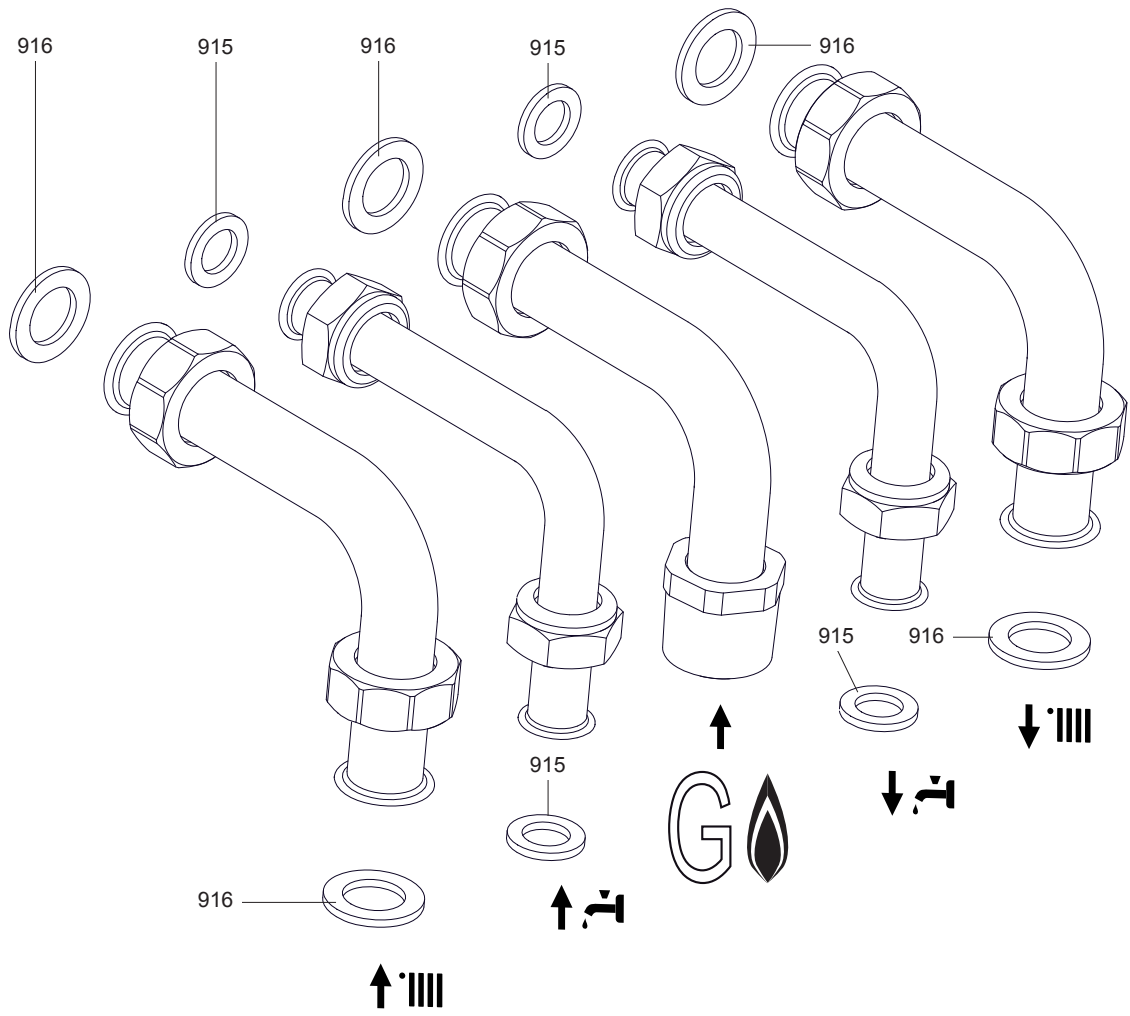
☞	Description	Manf. Pt. N	Type	<div style="text-align: right; border: 1px solid black; padding: 5px;"> 31 </div>																		From	to
				1	2	3	4	5	6	7	8	9	10	11	12	13	14	15	16	17	18		
0600	RETURN GROUP																						
0601	MOTOR (3-WAY VALVE)	61302483-01		●	●	●	●	●															
0602	KIT DRAIN SCREW	60001385		●	●	●	●	●	●	●													
0603	MOTOR + SPRING 3 WAY VALVE KIT	60001583-01		●	●	●	●	●															
	PLUG	65105093								●	●												
0604	CLIP	65104331		●	●	●	●	●	●	●	●												
0605	O-RING 17.04X3.53	65104262		●	●	●	●	●	●		●												
0606	SENSOR (REED)	65104323		●	●	●	●	●															
0607	CLIP	65104332		●	●	●	●	●															
0608	CLIP	65104316		●	●	●	●	●			●	●											
0609	RETURN GROUP	60000629		●	●	●	●	●	●	●	●												
0611	RIDUCTORS (KIT)	65104318		●	●	●	●	●	●														
0612	CLIP D18	65104259		●	●	●	●	●	●		●	●											
0613	CLIP D10	65104260		●	●	●	●	●	●	●	●												
0614	O-RING 5.7X1.9	61009834-10		●	●	●	●	●	●	●	●												
0615	PRESSURE GAUGE	65104234		●	●	●	●	●	●	●	●												
0617	O-RING 21.89X2.62	65104320		●	●	●	●	●	●	●	●												
0618	PIPE (C.H. RETURN)	60001271							●			●											02/08
	PIPE (C.H. RETURN)	60001271								●													12/09
	PIPE (C.H. RETURN)	60001271		●	●				●														
	PIPE (C.H. RETURN)	60001272								●													
	PIPE (C.H. RETURN)	60001276							●														03/08
	PIPE (C.H. RETURN)	60001283								●													01/10
0619	PUMP 5M 2V WILO	65104319	WILO	●	●	●	●	●	●	●	●												
0620	O-RING 17.86X2.62	61308091		●	●	●	●	●	●	●	●												
0622	WATER FILTER	60001372		●	●	●	●	●	●	●	●												
0623	O-RING 9.19X2.62	65104313		●	●	●	●	●	●	●	●												
0624	CLIP	65100680		●	●	●	●	●	●	●	●												
0625	CLIP	60000309		●	●	●	●	●	●	●	●												
0627	O-RING 23.47X2.62	65104315		●	●	●	●	●	●	●	●												
0628	UNION (3/4»)	65104326		●	●	●	●	●	●	●	●												
0629	UNION (1/2»)	65104327		●	●	●	●	●	●	●	●												
0630	D.H.W. PLUG	65105179										●	●										
	FLOW METER	65104317		●	●	●	●	●															
0631	CLIP	61307589		●	●	●	●	●	●	●	●												
0632	TEMPERATURE PROBE + CLIP	990686-01		●	●	●	●	●	●	●	●												
0633	PLUG	65104377		●	●	●	●	●	●	●	●												
0635	O-RING 15.54X2.62	65104325		●	●	●	●	●	●	●	●												
0638	AUTO AIR VENT - WILO	65104703	WILO	●	●	●	●	●	●	●	●												
0639	U-CLIP	65104704		●	●	●	●	●	●	●	●												
0640	O-RING 3X35 EPDM 75 SH	65104705		●	●	●	●	●	●	●	●												
0641	INTERFACE 'System +' Open	60001365	SYST. +									●	●										
	INTERFACE 'System' Close	65105181	SYST.									●	●										
0646	EXCHANGER GASKET	65104334										●	●										

CLAS - CLAS SYSTEM

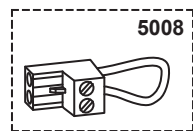
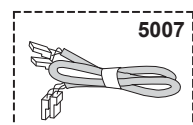
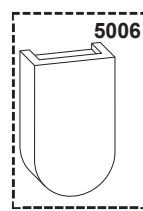
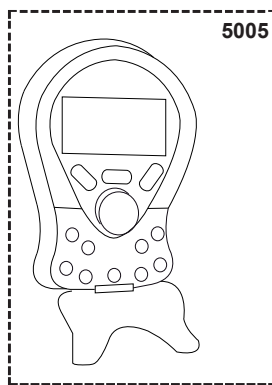
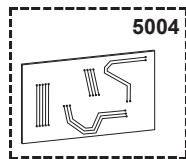
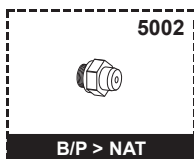
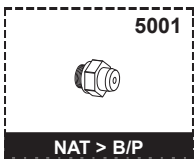
Gas-wall boiler atm. burner



☉⇒	Description	Manf. Pt. N	Type	<div style="display: flex; justify-content: space-between; align-items: center;"> <div style="writing-mode: vertical-rl; transform: rotate(180deg); font-size: small;"> CLAS 24 CF CLAS 24 IMC CLAS 24 FF CLAS 18 FF CLAS 32 FF CLAS 24 CF CLAS 24 FF </div> <div style="border: 1px solid black; padding: 2px;"> 31 </div> </div>																		From	to
				1	2	3	4	5	6	7	8	9	10	11	12	13	14	15	16	17	18		
0700	ELECTRICAL BOX																						
0701	PRESSURE GAUGE	65104234		●	●	●	●	●	●	●	●												
0702	EARTH WIRE	65104286		●	●	●	●	●	●	●	●												
0703	CABLE CLAMP	571562		●	●	●	●	●	●	●	●												
0704	PUSH	65104228		●	●	●	●	●	●	●	●												
0705	P.C.B. (MAIN)	65109313-05		●	●	●	●	●	●	●	●												
0706	P.C.B. (DISPLAY)	65104448		●	●	●	●	●	●	●	●												
0707	DISPLAY WIRING - 5 WIRES BLUES	60000746	/ CN02	●	●	●	●	●	●	●	●												
0708	DISPLAY GLASS	65104356		●	●	●	●	●	●	●	●												
0709	PUSH BUTTON GROUP (MENU)	65104503		●	●	●	●	●	●	●	●												
0710	PUSH (CASE DOOR)	65100676		●	●	●	●	●	●	●	●												
0711	3-WAY VALVE CABLE	65104523	/ CN09	●	●	●	●	●	●	●	●												
0712	PUMP 2V CABLE 5M WILO	65104520	WILO	●	●	●	●	●	●	●	●												
0713	NTC - PRES. SENSOR - GAS VALVE CABLE	60000840	/ CN04	●	●	●	●	●	●	●	●												
	NTC - PRES. SENSOR - GAS VALVE CABLE	60001369	/ CN04									●	●										
0714	FEEDER 240V	60000993		●	●	●	●	●	●	●	●												
0715	FRONT COVER	65104449		●	●	●	●	●	●	●	●												
0718	KNOB	65104450		●	●	●	●	●	●	●	●												
	PLUG	65105185										●											
0719	CABLE CLAMP	65103377		●	●	●	●	●	●	●	●												
0720	CONTROL PANEL COVER (REAR)	65104293		●	●	●	●	●	●	●	●												
0721	CONTROL PANEL COVER (FRONT)	65104300		●	●	●	●	●	●	●	●												
0722	FAN CABLE	65107270	/ CN10					●	●	●	●												
	FLOW METER CABLE	60000813	/ CN14	●	●	●	●	●	●	●	●												
	NTC - OVERHEAT THER. - PRES SWITCH CABLE	60000814	/ CN22					●	●	●	●												
	NTC PROBE - OVERHEAT THERMOSTAT CABLE	60000838	/ CN22			●																	
	NTC PROBE - OVERHEAT THERMOSTAT CABLE	65104708	/ CN22	●								●											
	SHUNT CABLE	60000839	/ CN07		●																		
0725	ROOM THERMOSTAT CABLE	60001253	/ CN25	●	●	●	●	●	●	●	●												
0726	LOWER COVER	65104379		●	●	●	●	●	●	●	●												
	LOWER COVER	65105032										●											
0727	INSPECTION COVER	65104294		●	●	●	●	●	●	●	●												
0728	CABLE (IONIZATION ELECTRODE)	65104518	/ CN05	●	●	●	●	●	●	●	●												
0729	PUSH BUTTON (R.H.SIDE)	65104222		●	●	●	●	●	●	●	●												
	PUSH BUTTON (R.H.SIDE)	65105187										●	●										
0730	PUSH BUTTON (L.H.SIDE)	65104229		●	●	●	●	●	●	●	●												
0731	PUSH BUTTON ON/OFF	65104267		●	●	●	●	●	●	●	●												
0735	O-RING 5.7X1.9	61009834-10		●	●	●	●	●	●	●	●												
0736	PLUG	65105185										●	●										
0738	CONTROL PANEL	65105069		●	●	●	●	●	●	●	●												
	CONTROL PANEL	65105186										●	●										



5000



☉➔	Description	Manf. Pt. N	Type	<div style="float: right; border: 1px solid black; padding: 2px; margin-right: 10px;"> 31 </div> <div style="float: right; border: 1px solid black; padding: 2px; margin-right: 10px;"> CLAS 24 CF CLAS 24 IMC CLAS 24 FF CLAS 18 FF CLAS 32 FF CLAS 24 CF CLAS 24 FF </div>																		From	to
				1	2	3	4	5	6	7	8	9	10	11	12	13	14	15	16	17	18		
0900	JIG PLATE & PIPE FITTING																						
0915	GASKET 1/2» (25)	573528		•	•	•	•	•															
0916	GASKET 3/4 in	573520		•	•	•	•	•	•	•													
5000	ACCESSORIES																						
5001	BURNER JET FULL KIT (LPG)	65104582-01	LG					•															
	BURNER JET FULL KIT (LPG)	65105166	LG						•														
	BURNER JET FULL KIT (LPG)	65106690-01	LG	•		•																	
5002	BURNER JET FULL KIT (NG)	65105178	NG					•															
	BURNER JET FULL KIT (NG) FR	65104585-01	NG						•														
	BURNER JET FULL KIT (NG) FR	65106692-01	NG	•		•																	
5004	P.C.B (CLIP-IN) E-BUS	65109108		•	•	•	•	•	•	•													
5005	REMOTE CONTROL	65105167		•	•	•	•	•	•	•													
5006	OUTSIDE HEAT SENSOR	65109110		•	•	•	•	•	•	•													
5007	CLIP-IN E-BUS WIRING	65105169	/ CN11	•	•	•	•	•	•	•													
5008	CONNECTOR (ROOM THERMOSTAT)	990381		•	•	•	•	•	•	•													

LIST OF THE ABBREVIATIONS

HW	: Hot water.
CW	: Cold water.
C	: Ceramic resistance (normal heating).
Ca	: Ceramic resistance (accelerated heating)
TP	: Immersion heater.
1F	: With fittings.
2F	: Without fittings.
3F	: With fittings and another outlet connection.
AMI	: With mixing valve.
SMI	: Without mixing valve.
PUISS	: Power of th appliance.
PN	: Appliance with normal pression.
LP	: Appliance with low pression.
PV	: Appliance with variable power.
PF	: Appliance with fixed power.

IDENTIFICATION PLATE

SERIAL NUMBER

10 Characters :	04 05 125 011	Sequential number
		Manufacturing day
		Year of manufacture
11 Characters :	1 95 065004 - 31	Technical number of the appliance
Month of manufacture :		Sequential number
from 1 to 9 → Jan. to Sep.,		Year of manufacture
O → Oct., N → Nov.,		
D → Dec.		
19 Characters :	08 05 0013199 900640031	Product reference
Year of manufacture		Sequential number
Month of manufacture		
20 Characters :	3675007 XX 2 07 070 00315	Sequential number
Product reference		Manufacturing day
Millenium of manufacture		Year of manufacture
21 Characters :	3675007 XX 07 070 0000315	Sequential number
Product reference		Manufacturing day
Year of manufacture		