



SPARE PARTS EXPLODED VIEW
STORAGE GAS WATER HEATERS

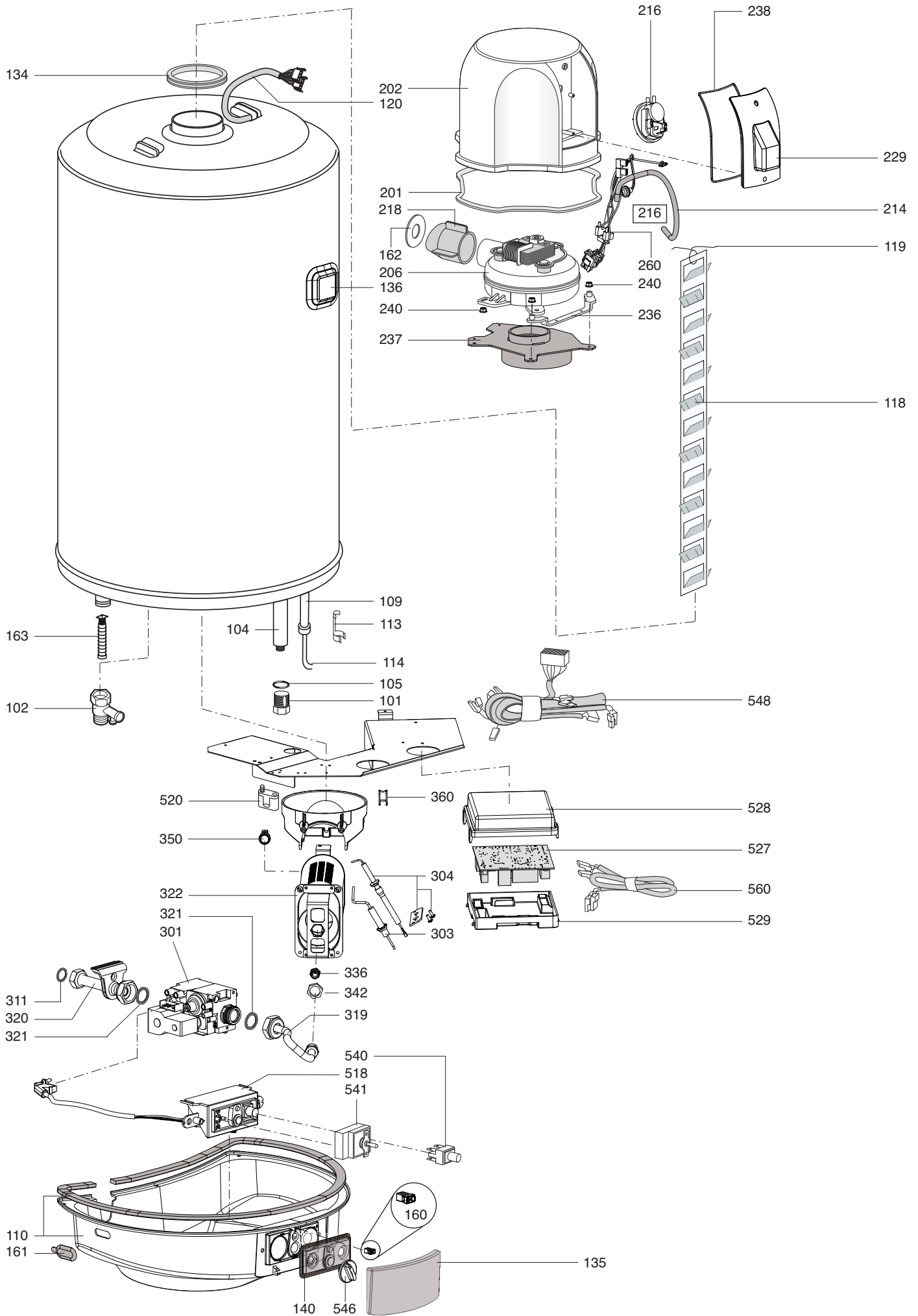
Model
S/SGA FF X

R8218292-01 - 10/01/2020

S/SGA FF X

Storage Gas Water Heaters

1	3211011	S/SGA FF X 80	01-2019	-
2	3211012	S/SGA FF X 100	01-2019	-
Col	Reference	Model type	Begin	End



☉	Description	Manf. Pt. N	Type	S/SGA FF X 80 / S/SGA FF X 100																					
				1	2	3	4	5	6	7	8	9	10	11	12	13	14	15	16	17	18	From	to		
0101	ANODE PLUG FE G3/4-M5 H28 NE	65116257																							
0102	SAFETY VALVE (1/2" M - 3/4" F)	230224																							
0104	ANODE D:21,3 L:380 M8	65117840																							
	ANODE D:21,3 L:390 M5x10	65117171																							
0105	O-RING	289442																							
0109	SHEATH	123524																							
0110	BOTTOM PLASTIC COVER	65119804																							
0113	SPRING (PROBE CLAMP)	290356																							
0114	THERMOSTAT (SAFETY - ECO 87°C)	65119905																							
0118	FLUE BAFFLE	65102524																							
	FLUE BAFFLE	65119807																							
0119	SPRING (FLUE BAFFLE SUPPORT)	290450																							
0120	WIRING	65102532																							
0134	FLUE PIPE GASKET	290135																							
0135	COVER PROTECTION	65119806																							
0136	THERMOMETER	65117459																							
0140	CONTROL PROTECTION	996593																							
0160	PUSH (CASE DOOR)	65100676																							
0161	GROMMET (PCD TOOL ACCESS)	998382																							
0162	RESTRICTOR KIT	60001598																							
0163	BAFFLE (3/4" H=82)	65114044																							
0201	GASKET (FLUE HOOD)	65102528																							
0202	FLUE HOOD	65116244																							
0206	FAN	65116311																							
0214	SILICONE PIPE	65100593																							
0216	AIR PRESSURE SWITCH 40 Pa	65102164-01																							
0218	ELBOW (FAN)	65102526																							
0229	COVER (FLUE HOOD)	65116243																							
0236	SUPPORT BRACKET (FAN)	65102521																							
0237	FAN MOTOR BASE	65102525																							
0238	GASKET (FLUE HOOD COVER)	65102012																							
0240	FLANGE NUT	65119427																							
0260	LOW PRESSURE SWITCH WIRING + FAN ASSY	65116325																							
0301	GAS VALVE	65119908																							
0303	LECTRODE (DETECTION)	65119799																							
0304	ELECTRODE (IGNITION)	65119800																							
0311	GASKET 18,5X11,5x2	290119																							
0319	PIPE (GAS VALVE BURNER)	65119797																							
0320	PIPE (GAS INLET)	65119798																							
0321	SHEET GASKET D: 24-14-1.5	60061855-17																							
0322	BURNER (MAIN)	65117827																							
0336	BURNER JET M11 Ø1,75 GN	289014																							
0342	FLANGE NUT	65119427																							
0350	THERMOSTAT (OVERHEAT- 103°C)	12059044																							
0360	SPRING (FLUE BAFFLE SUPPORT)	65119802																							
0518	CONTROL SUPPORT	65119805																							
0520	CABLE CLAMP	211527																							
0527	PCB (VULCANO 77)	65116241																							
0528	BOX (MAIN PCB-UPPER)	65116238																							
0529	BOX (MAIN PCB-LOWER)	65116239																							
0540	SWITCH	65103145																							
0541	THERMOSTAT (REGOLATION)	65102080																							
0546	CONTROL KNOB	65102390																							
0548	WIRING (GAS VALVE)	65119803																							
0560	WIRING (PCB)	65119801																							

LIST OF THE ABBREVIATIONS

HW	: Hot water.
CW	: Cold water.
C	: Ceramic resistance (normal heating).
Ca	: Ceramic resistance (accelerated heating)
TP	: Immersion heater.
1F	: With fittings.
2F	: Without fittings.
3F	: With fittings and another outlet connection.
AMI	: With mixing valve.
SMI	: Without mixing valve.
PUISS	: Power of th appliance.
PN	: Appliance with normal pression.
LP	: Appliance with low pression.
PV	: Appliance with variable power.
PF	: Appliance with fixed power.

IDENTIFICATION PLATE

SERIAL NUMBER

6 Characters :
 Year of manufacture 03 09 08 Manufacturing day
 Month of manufacture

9 Characters :
 Year of manufacture 5 9 12 0606 Sequential number
 Month of manufacture

14 Characters :
 SI-V-0B0 45 07 0001
 Sequential number
 Year of manufacture : 6 → 2004
 Month of manufacture : → 25 → January 43 → July 7 → 2005
 13 → February 29 → August 8 → 2006
 32 → March 40 → September etc ...
 35 → April 38 → October
 39 → May 51 → November
 45 → June 12 → December
 Product model

14 Characters :
 111518 XX 000010
 Month of manufacture 11 Sequential number
 Day of manufacture 18 Year of manufacture XX

15 Characters :
 02 11 00001 007843
 Year of manufacture 02 Product reference
 Month of manufacture 11 Sequential number

21 Characters :
 3200050 XX 08115 0000001
 Product reference 3200050 Sequential number
 Year (08) / Manufacturing day (115)

22 Characters :
 3200050 XX 070115 0000001
 Product reference 3200050 Sequential number
 Year (07) / Month (01) / Manufacturing day (15)