



SPARE PARTS EXPLODED VIEW STORAGE GAS WATER HEATERS

Model

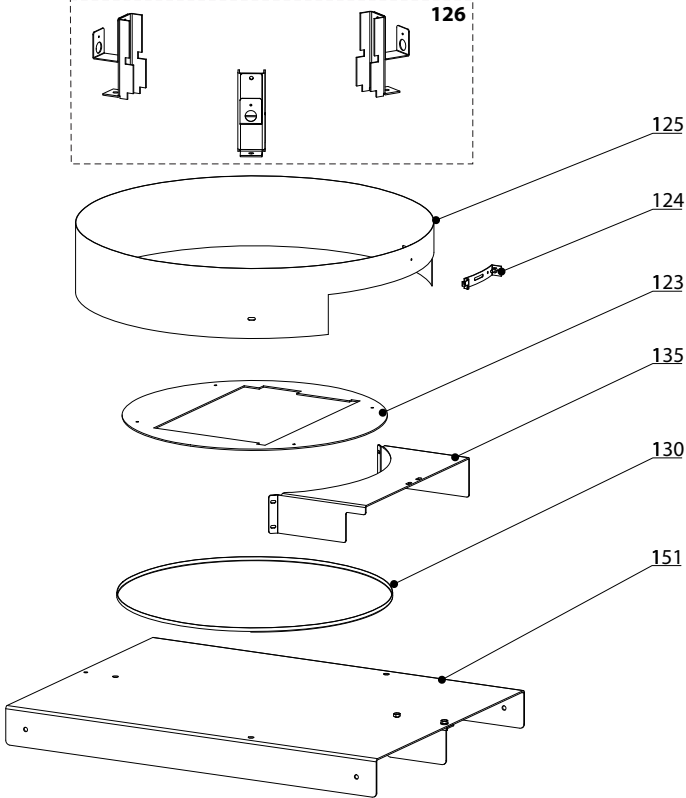
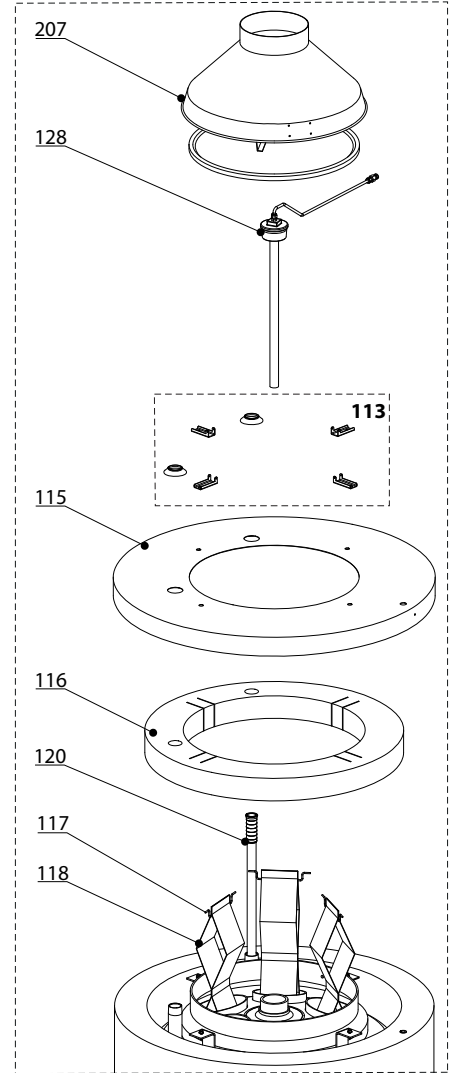
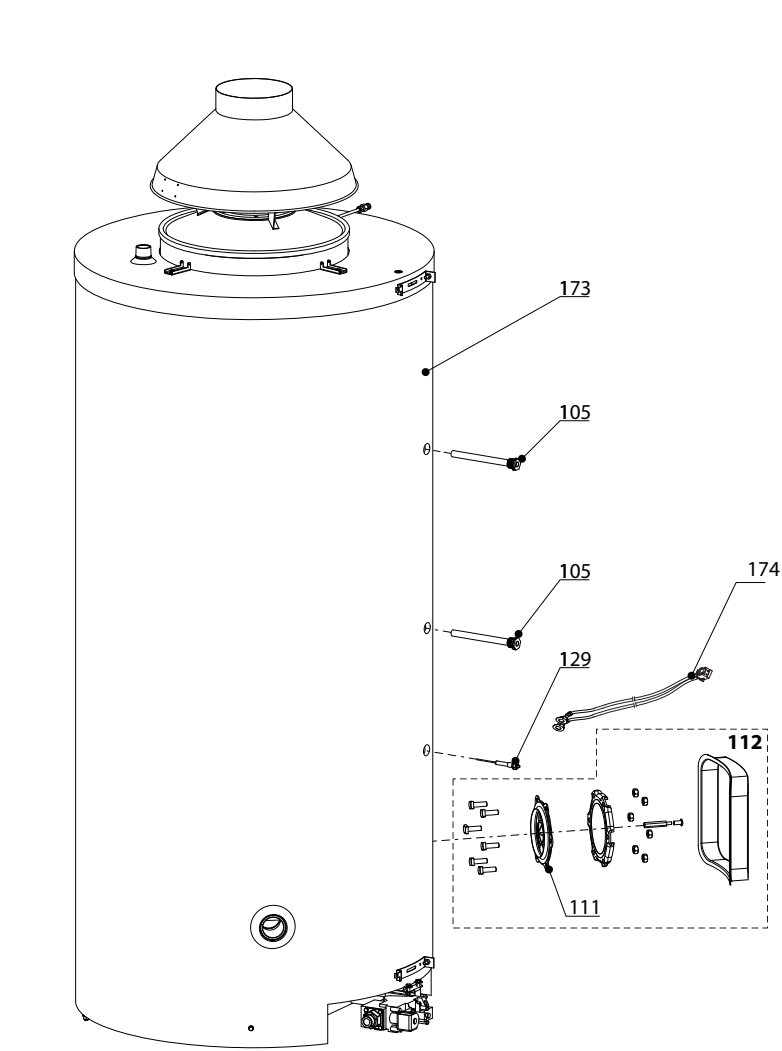
NHREX

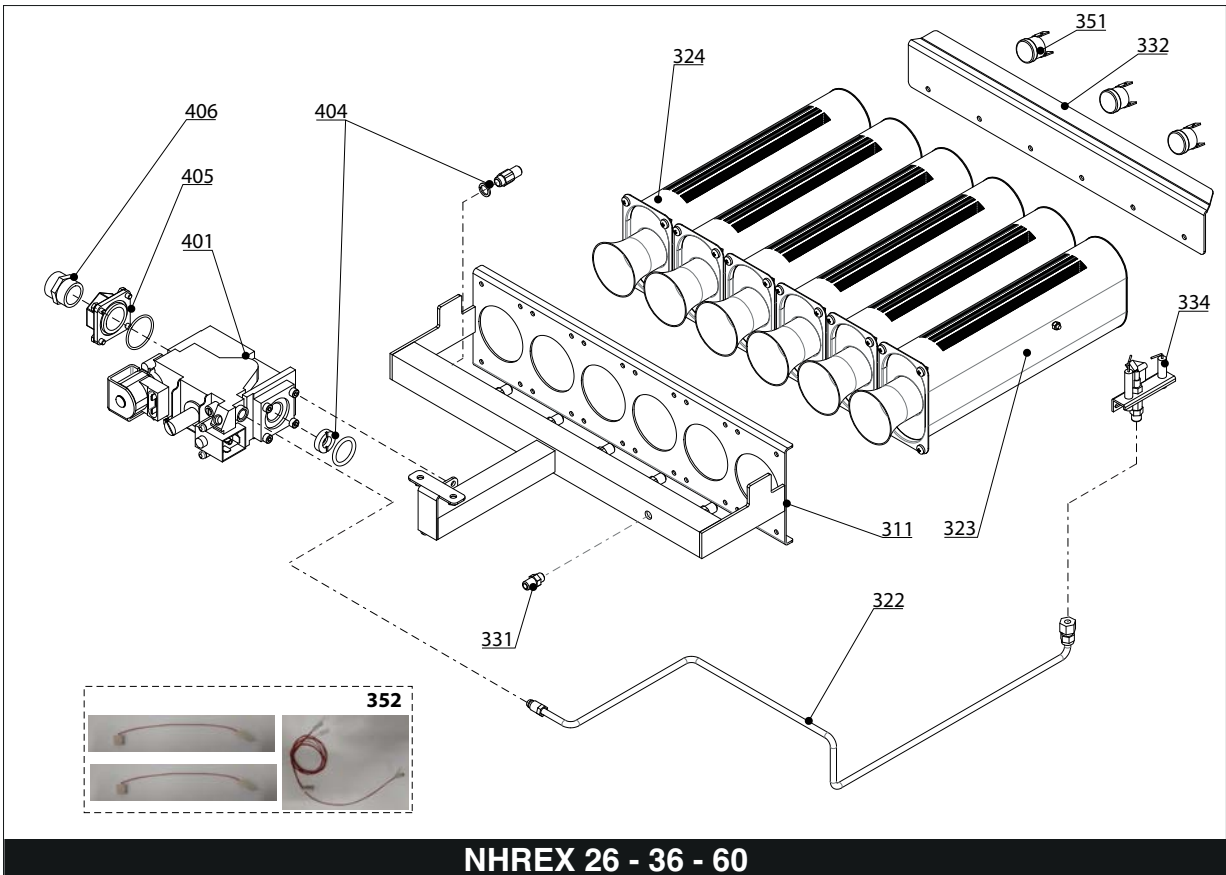
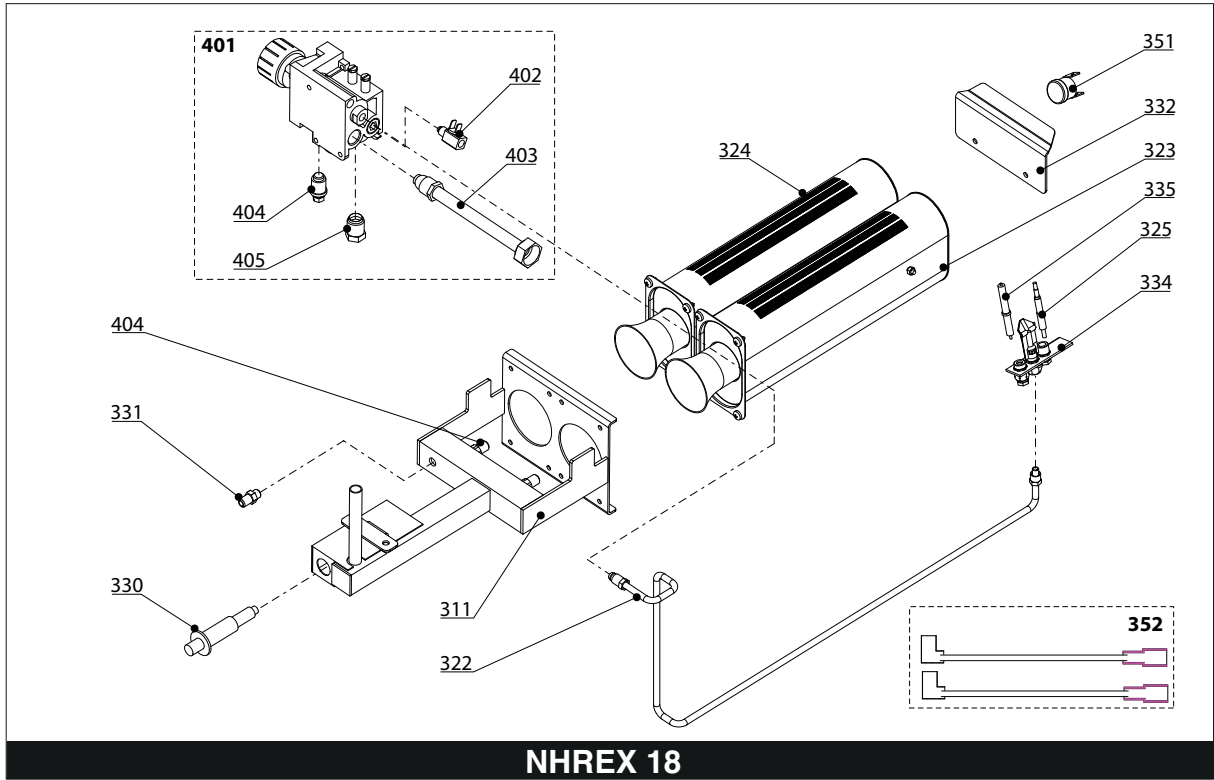
R8203548-05 - 31/03/2021

NHREX

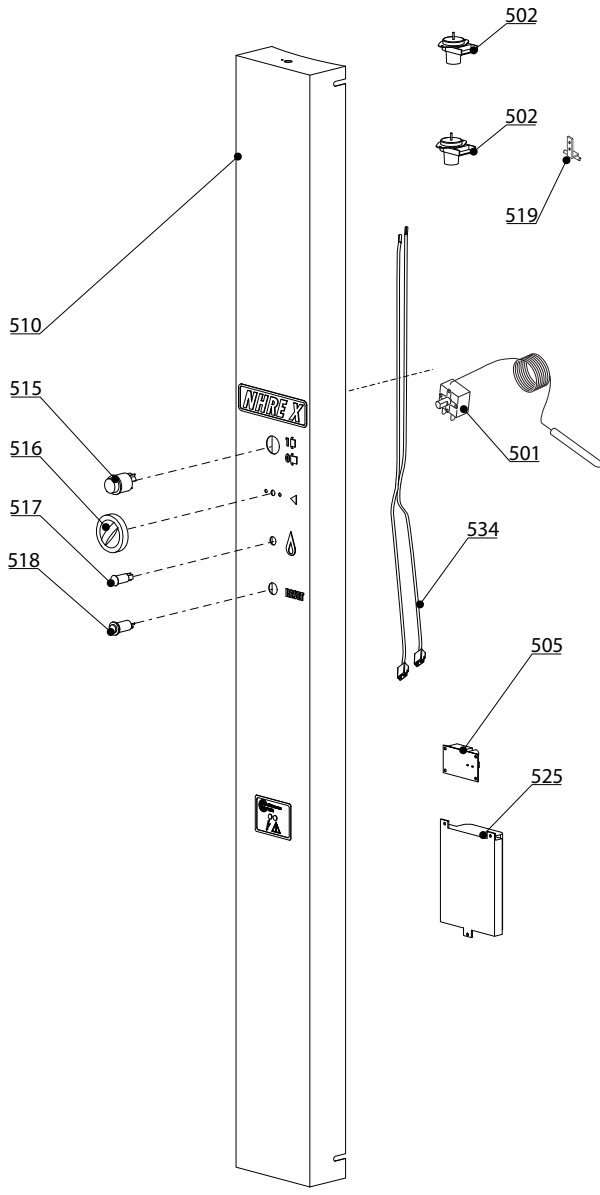
Storage Gas Water Heaters

1	3086107	NHREX 18 STYX G20/G31	02-2019	-
1	3086123	NHREX 18 STYX G25	02-2019	-
1	3086103	NHREX 18 ARISTON G20/G31	02-2019	-
2	3086108	NHREX 26 STYX G20/G31	02-2019	-
2	3086124	NHREX 26 STYX G25	02-2019	-
2	3086104	NHREX 26 ARISTON G20/G31	02-2019	-
3	3086109	NHREX 36 STYX G20/G31	02-2019	-
3	3086125	NHREX 36 STYX G25	02-2019	-
3	3086105	NHREX 36 ARISTON G20/G31	02-2019	-
4	3086110	NHREX 60 STYX G20/G31	02-2019	-
4	3086126	NHREX 60 STYX G25	02-2019	-
4	3086106	NHREX 60 ARISTON G20/G31	02-2019	-
Col	Reference	Model type	Begin	End

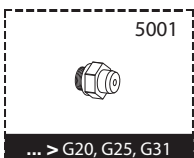
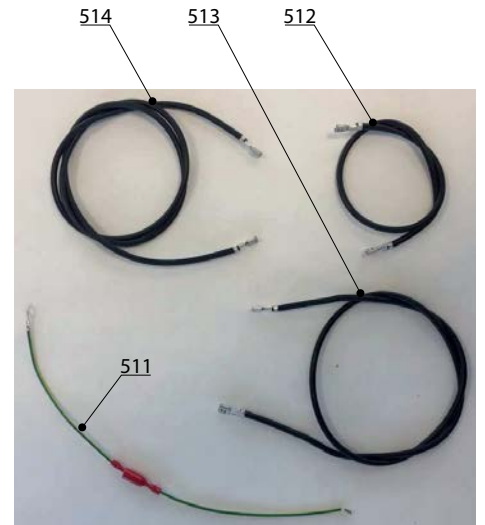
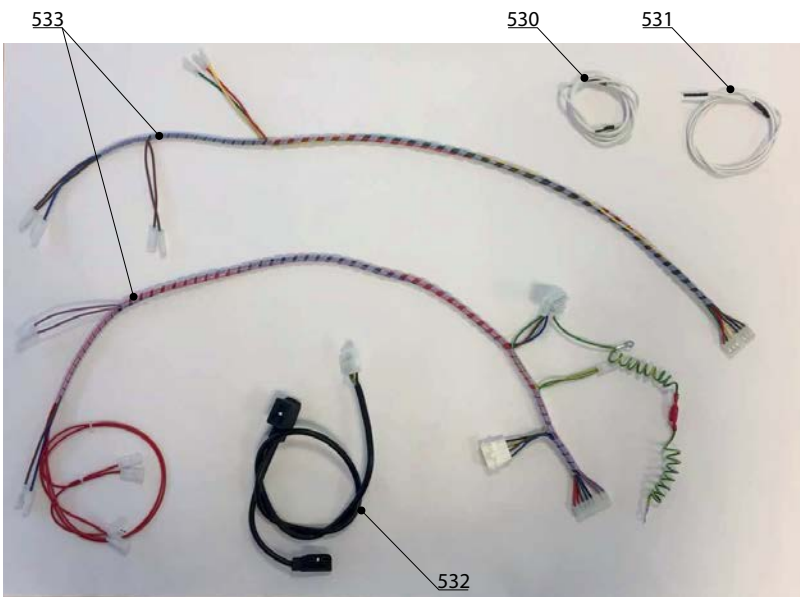
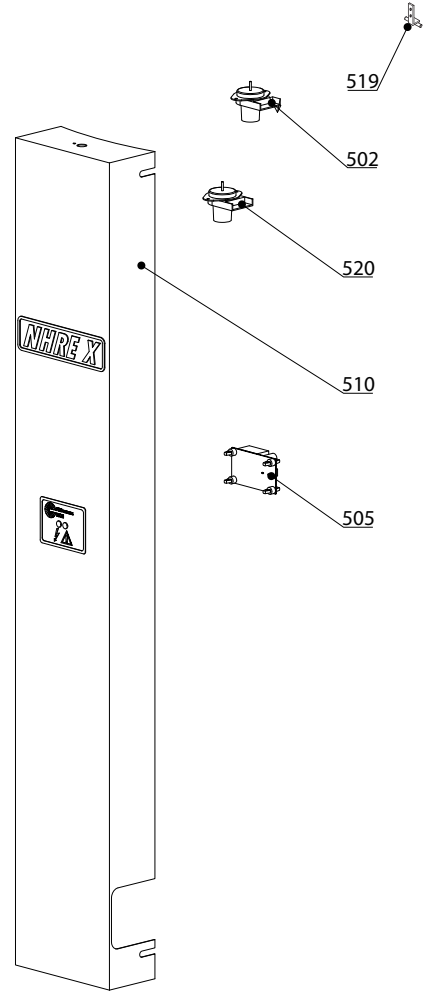




NHREX 26 - 36 - 60



NHREX 18



LIST OF THE ABBREVIATIONS

HW	: Hot water.
CW	: Cold water.
C	: Ceramic resistance (normal heating).
Ca	: Ceramic resistance (accelerated heating)
TP	: Immersion heater.
1F	: With fittings.
2F	: Without fittings.
3F	: With fittings and another outlet connection.
AMI	: With mixing valve.
SMI	: Without mixing valve.
PUISS	: Power of th appliance.
PN	: Appliance with normal pression.
LP	: Appliance with low pression.
PV	: Appliance with variable power.
PF	: Appliance with fixed power.

The indications mentioned on the prices, commercial or technical literature and the scheme are written for your guidance and are available at a given time. The CONSTRUCTOR retains the power to modify the presentation, the form, the size, or the conception or the material of the products.
