



ARISTON

SPARE PARTS EXPLODED VIEW STORAGE GAS WATER HEATERS

Model

S/SGA X

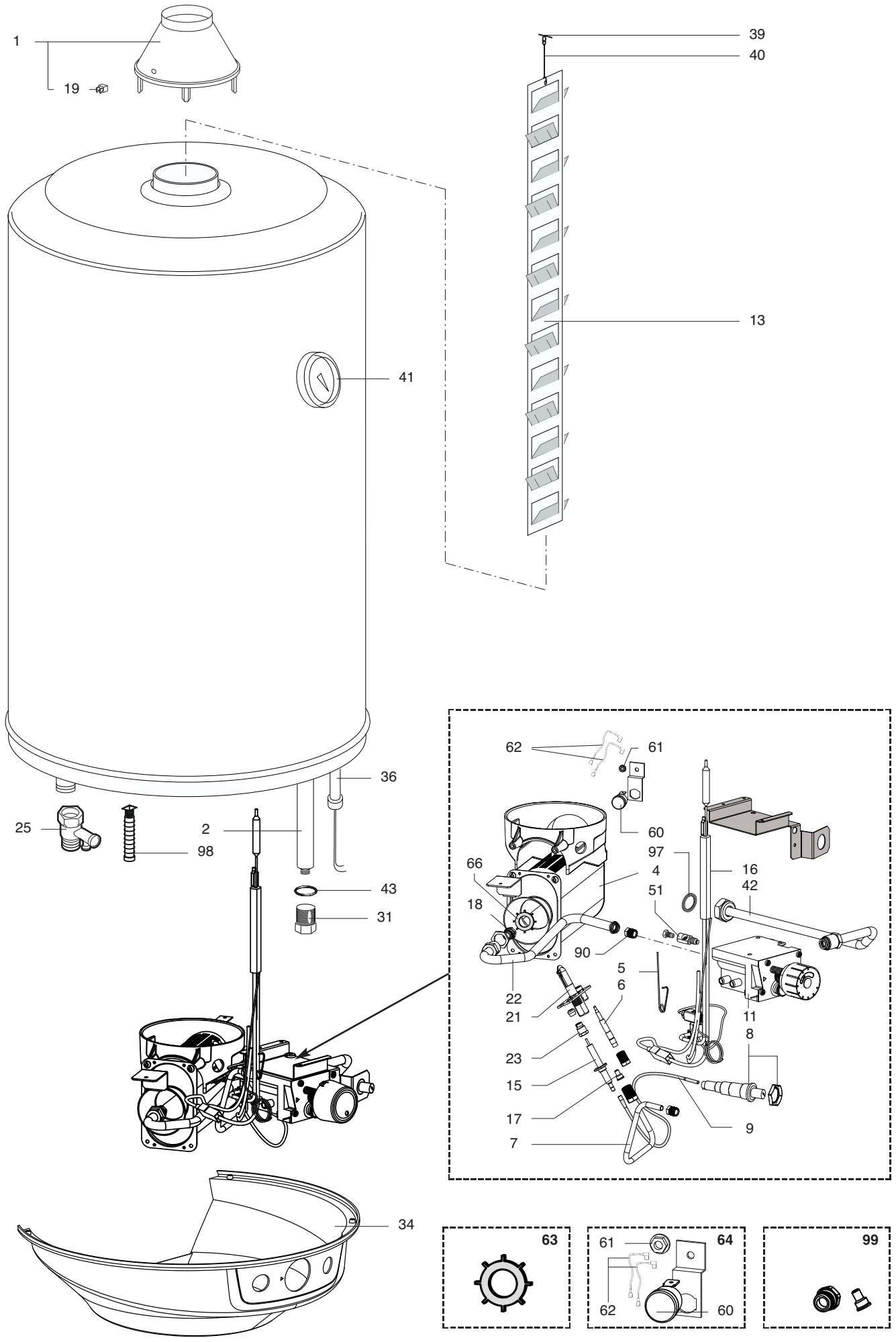
R8218059-02 - 17/05/2019

S-SGA X

Storage Gas Water Heaters

1	3211000	S/SGA X 50	10-2018	-
2	3211001	S/SGA X 80	10-2018	-
3	3211002	S/SGA X 100	10-2018	-
4	3211003	S/SGA X 120	02-2019	-
5	3211024	S/SGA X 50 EE	10-2018	-
6	3211025	S/SGA X 80 EE	10-2018	-
7	3211026	S/SGA X 100 EE	10-2018	-
8	3211027	S/SGA X 120 EE	10-2018	-

Col	Reference	Model type	Begin	End
-----	-----------	------------	-------	-----



☉⇒	Description	Manf. Pt. N	Type																			From	to
				1	2	3	4	5	6	7	8	9	10	11	12	13	14	15	16	17	18		
0001	FLUE HOOD (COMPLETE)	289731			•	•	•			•	•												
	FLUE HOOD (COMPLETE)	289742			•					•													
0002	ANODE D:21,3 L:380 M8	65117840			•	•				•	•												
	ANODE D:21,3 L:390 M5-M8	993312-01					•					•											
	ANODE D:21,3 L:550 M5-M8	993207-01						•											•				
0004	BURNER (MAIN)	65117827			•	•	•	•		•	•	•	•										
0005	SPRING (PROBE CLAMP)	290356			•	•	•	•		•	•	•	•										
0006	THERMOCOUPLE	65117830			•	•	•	•		•	•	•	•										
0007	PIPE (GAS VALVE/PILOT BURNER)	65117832			•	•	•	•		•	•	•	•										
0008	PUSH BUTTON (PIEZO)	200254			•	•	•	•		•	•	•	•										
0009	CABLE (PIEZO IGNITION)	200252			•	•	•	•		•	•	•	•										
0011	GAS VALVE	107828			•	•	•	•		•	•	•	•										
0013	FLUE BAFFLE	290923					•						•						•				
	FLUE BAFFLE	65117845				•							•										
	FLUE BAFFLE	65118609			•								•										
0015	IGNITION ELECTRODE	65117834			•	•	•	•		•	•	•	•										
0016	THERMOSTAT (SAFETY)	65117990			•	•	•	•		•	•	•	•										
0017	BURNER JET	65117839	G31		•	•	•	•		•	•	•	•										
	BURNER JET (PILOT)	289202	G20		•	•	•	•		•	•	•	•										
	BURNER JET (PILOT)	65118023	G27							•	•	•	•										
0018	BURNER JET	996642	G27							•	•	•	•										
	MAIN BURNER JET M11 D.1,10 G31	65117838	G31		•	•	•	•		•	•	•	•										
	MAIN BURNER JET M11 Ø 2.05 G20	65117829	G20		•	•	•	•		•	•	•	•										
0019	THERMAL PROTECTION	243048					•	•	•				•	•									
	THERMAL PROTECTION	243071			•							•							•				
0021	BURNER (PILOT)	65117828			•	•	•	•		•	•	•	•										
0022	PIPE (GAS VALVE/MAIN BURNER)	65117831			•	•	•	•		•	•	•	•										
0023	THERMOCOUPLE FIXING FITTING	230712			•	•	•	•		•	•	•	•										
0025	SAFETY VALVE (1/2" M - 3/4" F)	230224			•	•	•	•															
	SAFETY VALVE (3/4" 6,5 BAR)	60001310								•	•	•	•										
0031	ANODE PLUG	230514										•							•				
	ANODE PLUG FE G3/4-M5 H28 NE	65116257			•	•	•	•		•	•	•	•										
0034	PLASTIC COVER	65117836			•	•	•	•		•	•	•	•										
0036	SHEATH	65101259			•	•	•			•	•	•											
	SHEATH	65118012								•									•				
0039	SPRING (FLUE BAFFLE SUPPORT)	290450			•	•	•	•		•	•	•	•										
0040	EXTENSION (FLUE BAFFLE)	290018										•							•				
	FLUE BAFFLE EXTENSION	290800			•							•											
0041	THERMOMETER	65117459			•	•	•	•		•	•	•	•										
0042	UNION (G3/8" GAS INLET)	65117833			•	•	•	•		•	•	•	•										
0043	O-RING	289442			•	•	•	•		•	•	•	•										
0051	SAFETY BLOCK	243005			•	•	•	•		•	•	•	•										
0060	THERMOSTAT (OVERHEAT- 102°C)	12059044			•	•	•	•		•	•	•	•										
0061	U-NUT	65119427			•	•	•	•		•	•	•	•										
0062	WIRING THERMOSTAT (SAFETY)	65119426			•	•	•	•		•	•	•	•										
0063	KIT (DIAPHRAGM G30 BR.LNX)	65119441			•	•	•	•		•	•	•	•										
0064	KIT (THERMOSTAT ON THE BURNER LNX)	65119442			•	•	•	•		•	•	•	•										
0066	DIAPHRAGM (BURNER G 30 GSWH LNX)	65119434			•	•	•	•		•	•	•	•										
0097	GASKET 18,5X11,5x2	290119			•	•	•	•		•	•	•	•										
0098	BAFFLE (3/4" H=82)	65114044			•	•	•	•		•	•	•	•										
0099	TRANSFORMATION KIT G27	65118366	G27							•	•	•	•										
	TRANSFORMATION KIT LPG	65117837	G31		•	•	•	•		•	•	•	•										

LIST OF THE ABBREVIATIONS

HW	: Hot water.
CW	: Cold water.
C	: Ceramic resistance (normal heating).
Ca	: Ceramic resistance (accelerated heating)
TP	: Immersion heater.
1F	: With fittings.
2F	: Without fittings.
3F	: With fittings and another outlet connection.
AMI	: With mixing valve.
SMI	: Without mixing valve.
PUISS	: Power of th appliance.
PN	: Appliance with normal pression.
LP	: Appliance with low pression.
PV	: Appliance with variable power.
PF	: Appliance with fixed power.

IDENTIFICATION PLATE

SERIAL NUMBER

6 Characters :
 Year of manufacture 03 09 08 Manufacturing day
 Month of manufacture

9 Characters :
 Year of manufacture 5 9 12 0606 Sequential number
 Month of manufacture

14 Characters :
 SI-V-0B0 45 07 0001
 Sequential number
 Year of manufacture : 6 → 2004
 Month of manufacture : → 25 → January 43 → July 7 → 2005
13 → February 29 → August 8 → 2006
32 → March 40 → September etc ...
35 → April 38 → October
39 → May 51 → November
45 → June 12 → December

14 Characters :
111518 XX 000010
 Month of manufacture Sequential number
 Day of manufacture Year of manufacture

15 Characters :
02 11 00001 007843
 Year of manufacture Product reference
 Month of manufacture Sequential number

21 Characters :
3200050 XX 08115 0000001
 Product reference Sequential number
 Year (08) / Manufacturing day (115)

22 Characters :
3200050 XX 070115 0000001
 Product reference Sequential number
 Year (07) / Month (01) / Manufacturing day (15)