

SPARE PARTS EXPLODED VIEW

SOLARSYSTEM

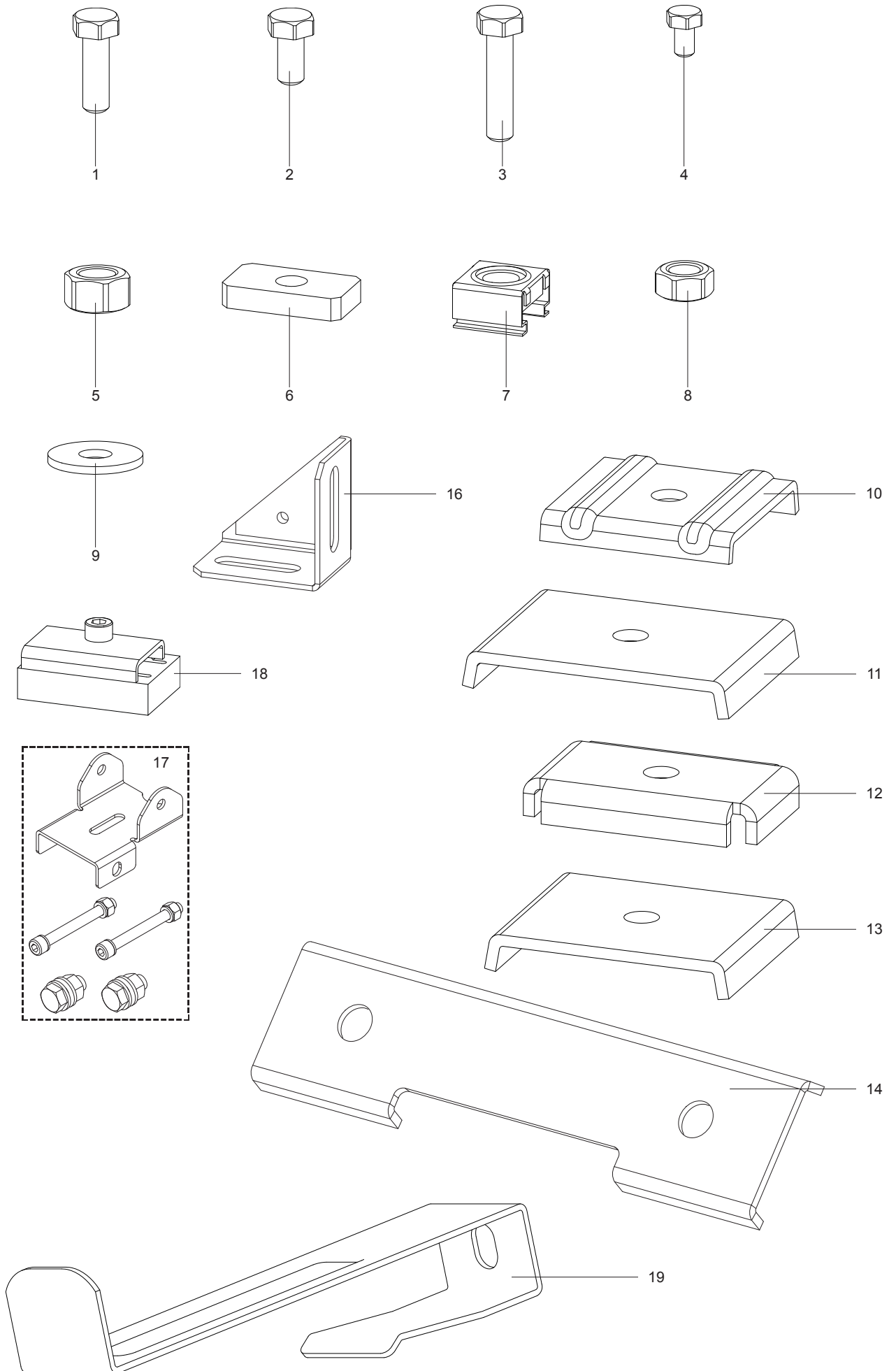
Model

FRAME KIT

R8216603-05 - 30/10/2018

1	3024011	TELAIO A TERRA 1 COLL CF 2.0	04-2008	-
1	3024012	TELAIO A TERRA 2 COLL CF 2.0	04-2008	-
1	3024013	TELAIO A TERRA ESTENSIONE 2 COLL CF 2.0	04-2008	-
1	3024014	TELAIO A TETTO 1 COLL CF 2.0	04-2008	-
1	3024015	TELAIO A TETTO 2 COLL CF 2.0	04-2008	-
1	3024016	TELAIO A TETTO ESTENSIONE 2 COLL CF 2.0	04-2008	-
1	3024079	FIXAT. KIT ON ROOF 1 CF 2.0 - FR	07-2009	03-2016
1	3024080	FIXAT. KIT ON ROOF 2 COLL CF 2.0 - FR	07-2009	03-2016
2	3024060	KIT INST. TETTO CN THERMO 200-2	06-2009	01-2013
2	3024061	KIT INST. TETTO CN THERMO 300-2	06-2009	01-2013
2	3024065	KIT INST. TERRA CN THERMO 150-1 E 200-1	06-2009	01-2013
2	3024066	FLAT ROOF INST. CN THERMO 200-2 300-2	06-2009	01-2013
2	3024068	KIT INST. TETTO CN THERMO 150-1 E 200-1	06-2009	-
3	3024019	TELAIO A TERRA 1 COLL SYS 2.5	04-2008	01-2012
3	3024020	TELAIO A TERRA 2 COLL SYS 2.5	04-2008	01-2012
3	3024021	TELAIO A TERRA ESTENSIONE 2 COLL SYS 2.5	04-2008	01-2012
3	3024022	INSTALLATION KIT FOR ONE COLLECTOR	04-2008	01-2012
3	3024023	TELAIO A TETTO 2 COLL SYS 2.5	04-2008	01-2012
3	3024024	TELAIO A TETTO ESTENSIONE 2 COLL SYS 2.5	04-2008	01-2012
4	3024099	FLAT ROOF KIT 150-1 200-1 CN DIRECT	04-2010	02-2011
4	3024140	TELAIO A TERRA 150-1 200-1 CN DIRETTO	01-2011	01-2016
4	3024100	TELAIO A TERRA 300-2 CN DIRETTO	04-2010	02-2011
4	3024141	TELAIO A TERRA 300-2 CN DIRETTO	01-2011	11-2016
4	3024148	TELAIO A TETTO 150-1 200-1 THERMODIRECT	07-2011	-
4	3024149	TELAIO A TETTO 300-2 THERMODIRECT	07-2011	11-2016
5	3024166	THERMO HF INSTALLAT. FLAT ROOF 150-1 200	05-2012	-
5	3024167	THERMO HF INSTALLATION FLAT ROOF 300-2	05-2012	-
5	3024168	THERMO HF INSTALLAT. FLAT ROOF 150-1 200	05-2012	-
5	3024169	THERMO HF INSTALLATION FLAT ROOF 300-2	05-2012	-
6	3024103	TRIANGLE (CF 2.0,SYS 2.5,XP 2.5 V)	07-2010	-
6	3024105	TRIANGLE (XP 2.5 H)	06-2010	-
7	3024104	HORIZONTAL BARS (XP 2.5 V)	06-2010	-
7	3024106	HORIZONTAL BARS (XP 2.5 H)	06-2010	-
8	800220	Ground Fixing Frame - 1 Panel	03-2004	09-2009
8	800221	TELAIO A TERRA 150-1 CIRC NAT	03-2004	12-2009
8	800222	TELAIO A TERRA 200-2 CIRC NAT	11-2004	12-2009
8	800224	TELAIO A TERRA 300-2 CIRC NAT	11-2004	12-2009
8	800226	TELAIO A TETTO 150-1 CIRC NAT	03-2004	12-2009
8	800227	TELAIO A TETTO 200-2 CIRC NAT	03-2004	09-2009
8	800228	TELAIO A TETTO 300-2 CIRC NAT	11-2004	09-2009
8	800230	TELAIO A TETTO 2 PANNELLI CIRC FORZ	11-2004	09-2009
8	800231	TELAIO A TETTO 3 PANNELLI CIRC FORZ	11-2004	09-2009
9	3104037	TELAIO A TERRA 200-1 CN	02-2007	12-2009
9	3104038	TELAIO A TETTO 200-1 CN	02-2007	12-2009

Col	Reference	Model type	Begin	End
-----	-----------	------------	-------	-----



CF 2.0
 CN THERMO
 SYS 2.5
 THERMINDIRECT
 THERMO HF
 TRIANGLE
 HORIZONTAL BARS
 800220 -> 800231
 CN

31

	Description	Manf. Pt. N	Type	1	2	3	4	5	6	7	8	9	10	11	12	13	14	15	16	17	18	From	to
0001	SCREW M8X25 (5 PCS)	65110789		●	●	●	●	●	●			●	●										
0002	SCREW M8X16 (5 PCS)	65110790					●	●	●														
0003	SCREW M8X35 (5 PCS)	65110791		●																			
0004	SCREW M6X10 (5 PCS)	65110792				●	●	●	●			●	●										
0005	NUT M8 (5 PCS)	65110793		●	●	●	●	●	●			●	●										
0006	SQUARE NUT M8 32X18X6 (5 PCS)	65110794		●																			
0007	CAGE NUT M8 A2 (5 PCS)	65110795			●			●															
0008	NUT M6 (5 PCS)	65110796					●	●	●			●	●										
0009	WASHER M8X24X2 (5 PCS)	65110797		●	●	●	●	●	●			●	●										
0010	FASTENER 50X50	65110798		●	●	●						●	●										
0011	FASTENER 50X66	65110799				●						●											
0012	STOP FASTENER	65110800		●																			
0013	FASTENER 50X60	65110801		●																			
0014	DOUBLE FASTENER	65110802			●																		
0016	L FASTENER	65112112						●															
0017	ARST TRIANGLE SPARE PARTS KIT	65111935								●													
0018	VICE	65112118									●	●											
0019	BRACKET NO SLIDING	65118255									●												

FRAME KIT

Solar system

LIST OF THE ABBREVIATIONS

HW	: Hot water.
CW	: Cold water.
C	: Ceramic resistance (normal heating).
Ca	: Ceramic resistance (accelerated heating)
TP	: Immersion heater.
1F	: With fittings.
2F	: Without fittings.
3F	: With fittings and another outlet connection.
AMI	: With mixing valve.
SMI	: Without mixing valve.
PUISS	: Power of th appliance.
PN	: Appliance with normal pression.
LP	: Appliance with low pression.
PV	: Appliance with variable power.
PF	: Appliance with fixed power.

IDENTIFICATION PLATE

SERIAL NUMBER

6 Characters : 03 09 08
 Year of manufacture Manufacturing day
 Month of manufacture

9 Characters : M 12 10 0606
 Year of manufacture
 Month of manufacture Sequential number

14 Characters :

SI-V-0B0 45 07 0001
 Sequential number
 Year of manufacture : → 6 → 2004
 Month of manufacture : → 25 → January 43 → July 7 → 2005
 13 → February 29 → August 8 → 2006
 32 → March 40 → September etc ...
 35 → April 38 → October
 39 → May 51 → November
 45 → June 12 → December

15 Characters : 02 11 00001 007843
 Year of manufacture Code appareil
 Month of manufacture Sequential number

21 Characters : 3200050 XX 08115 0000001
 Product reference Sequential number
 Year (08) / Manufacturing day (115)

22 Characters : 3200050 XX 070115 0000001
 Product reference Sequential number
 Year (07) / Month (01) / Manufacturing day (15)