



ARISTON

SPARE PARTS EXPLODED VIEW GAS WALL BOILERS

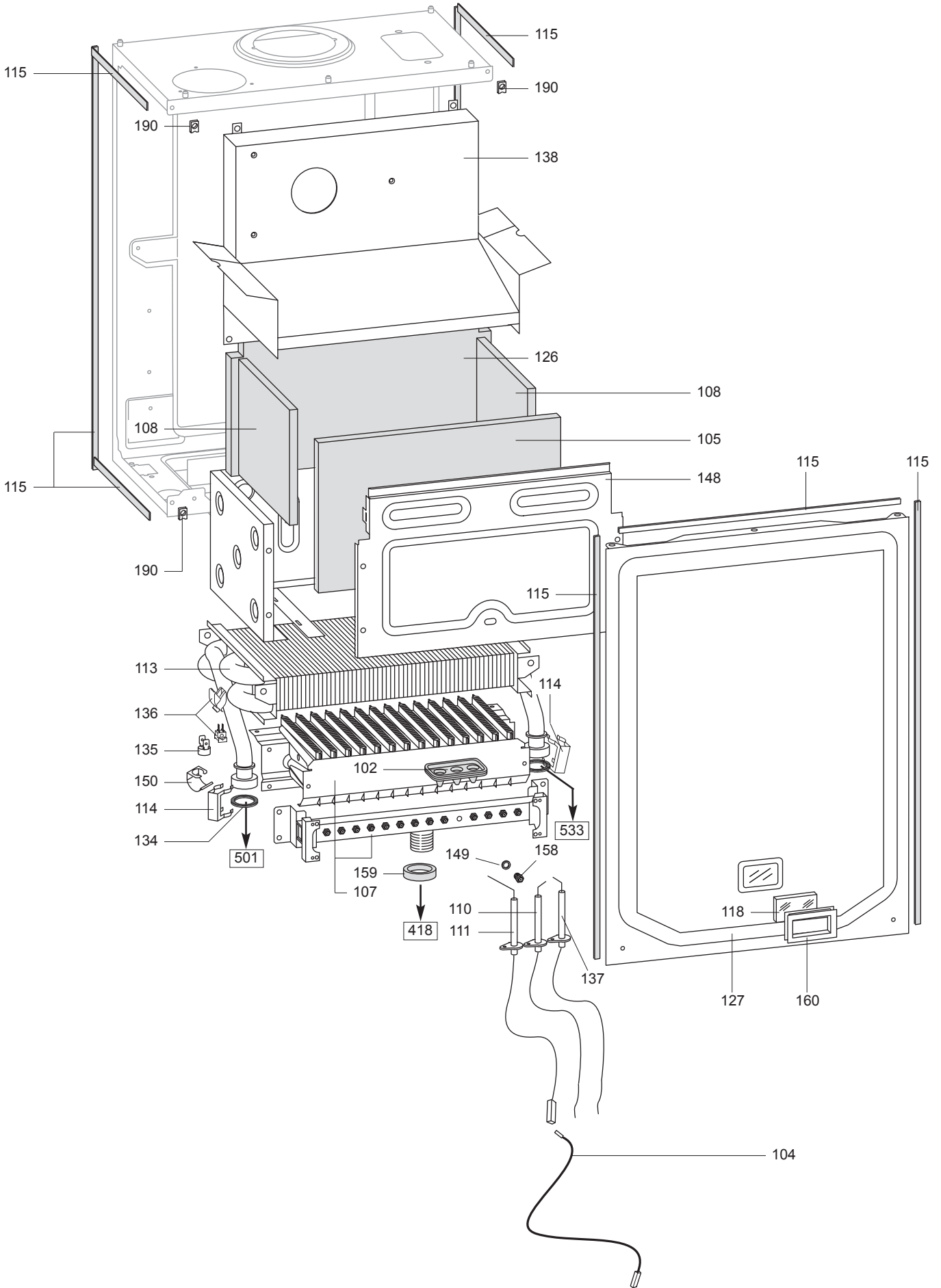
Model

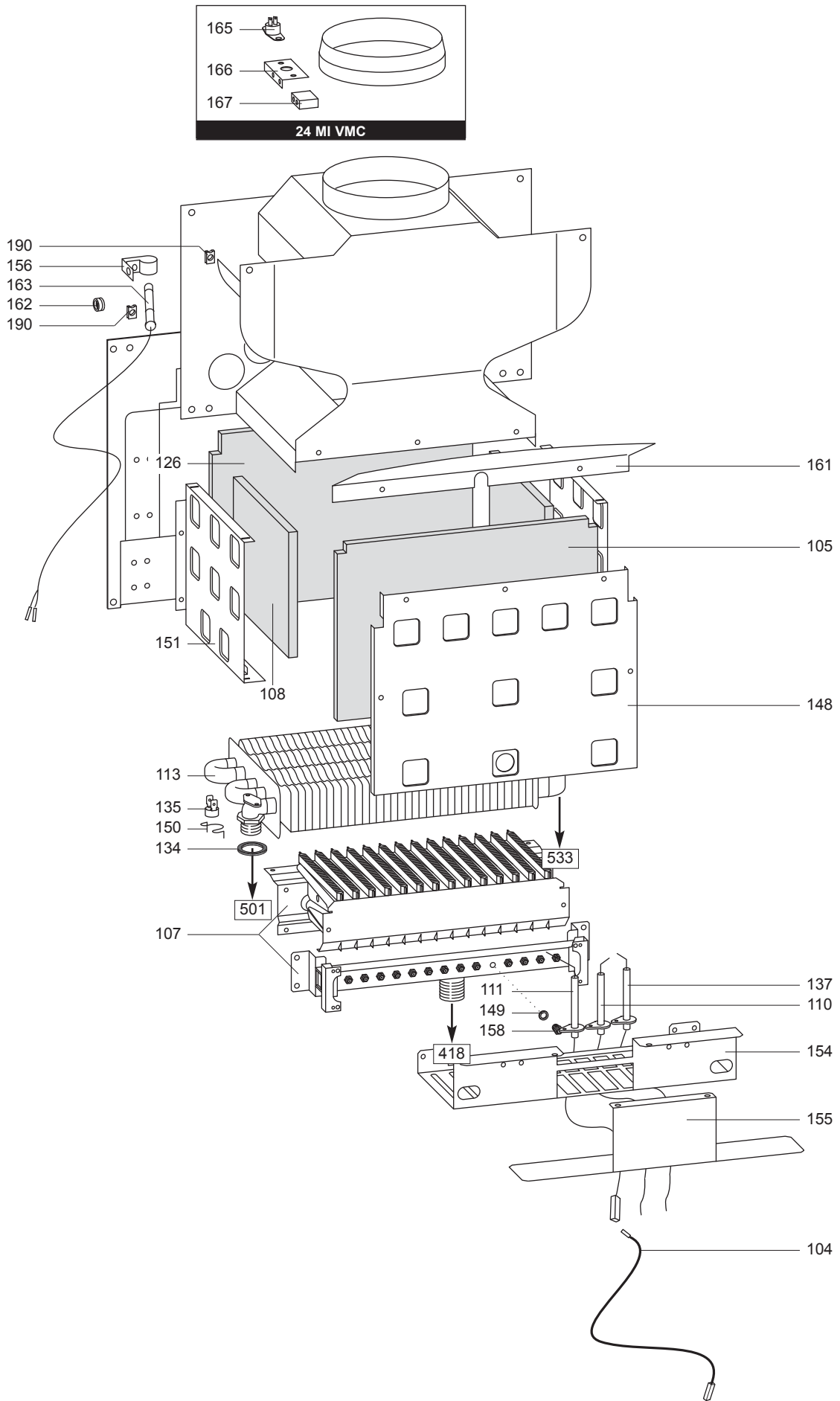
MICROGENUS PLUS

R8215237-05 - 29/05/2012

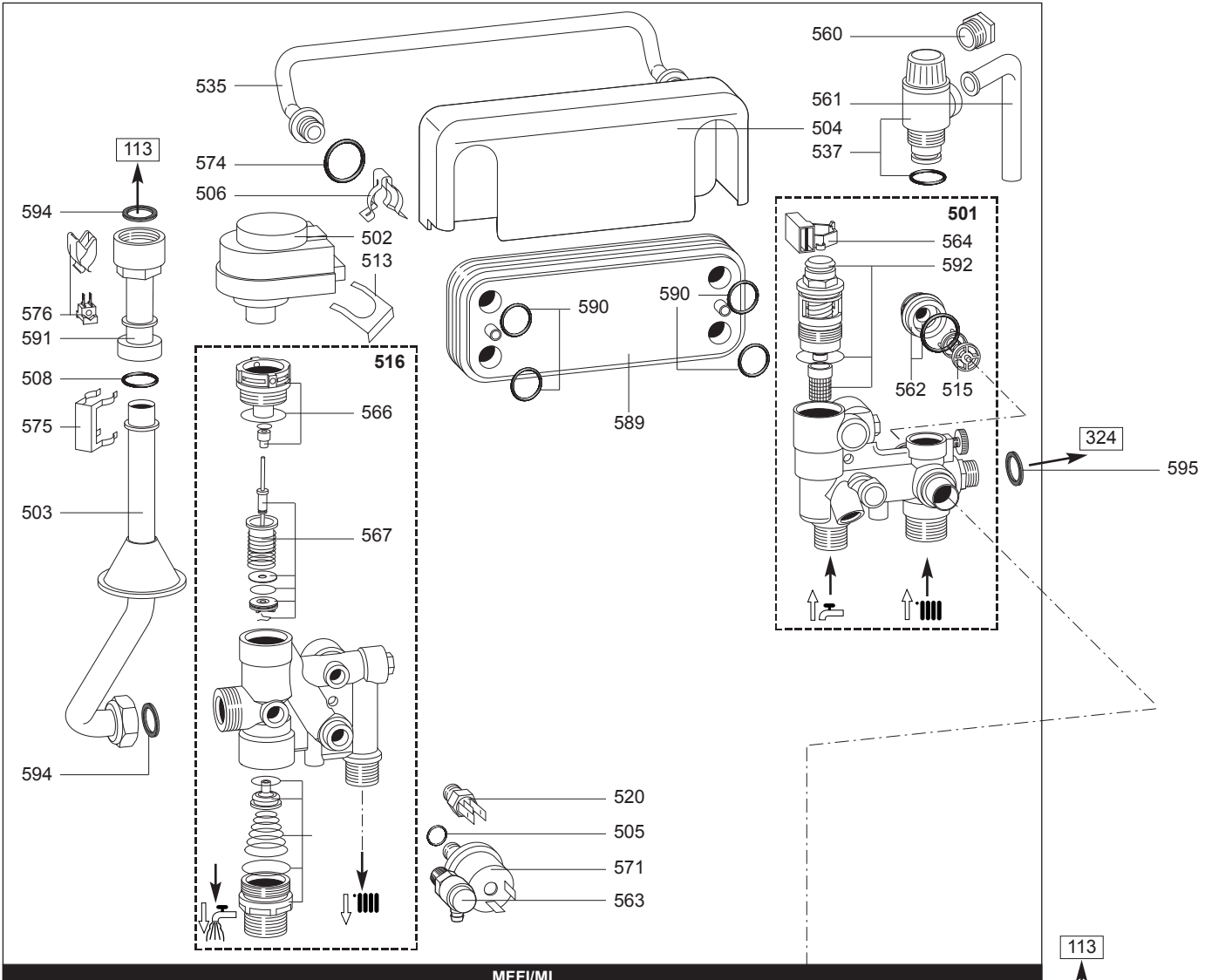
1	537269	MICROGENUS PLUS 24 MFFI (FR/BE) met.	02-2003	01-2008
1	537270	MICROGENUS PLUS 24 MFFI (FR/BE) GPL	02-2003	01-2008
2	3300101	MICROGENUS PLUS SYSTEM 24 RFFI (FR)	02-2006	04-2006
2	3300096	MICROGENUS PLUS SYSTEM 24 RFFI NAT	12-2005	08-2007
3	537271	MICROGENUS PLUS 24 MI (FR/BE) met.	02-2003	01-2008
3	537272	MICROGENUS PLUS 24 MI (FR/BE) GPL	02-2003	01-2008
4	537671	MICROGENUS PLUS 24 MI VMC (FR/BE) MET	07-2003	01-2008
5	3300100	MICROGENUS PLUS SYSTEM 24 RI (FR)	02-2006	04-2006
5	3300095	MICROGENUS PLUS SYSTEM 24 RI NAT	12-2005	08-2007
6	537273	MICROGENUS PLUS 28 MFFI (FR/BE) met.	02-2003	01-2008
6	537274	MICROGENUS PLUS 28 MFFI (FR/BE) GPL	02-2003	01-2008
7	537276	MICROGENUS PLUS 28 MI (FR/BE) GPL	02-2003	01-2004
7	537275	MICROGENUS PLUS 28 MI (FR/BE) met.	02-2003	01-2004
8	537277	MICROGENUS PLUS 31 MFFI (FR/BE) met.	02-2003	02-2008
8	537278	MICROGENUS PLUS 31 MFFI (FR/BE) GPL	02-2003	01-2008

Col	Reference	Model type	Begin	End
-----	-----------	------------	-------	-----

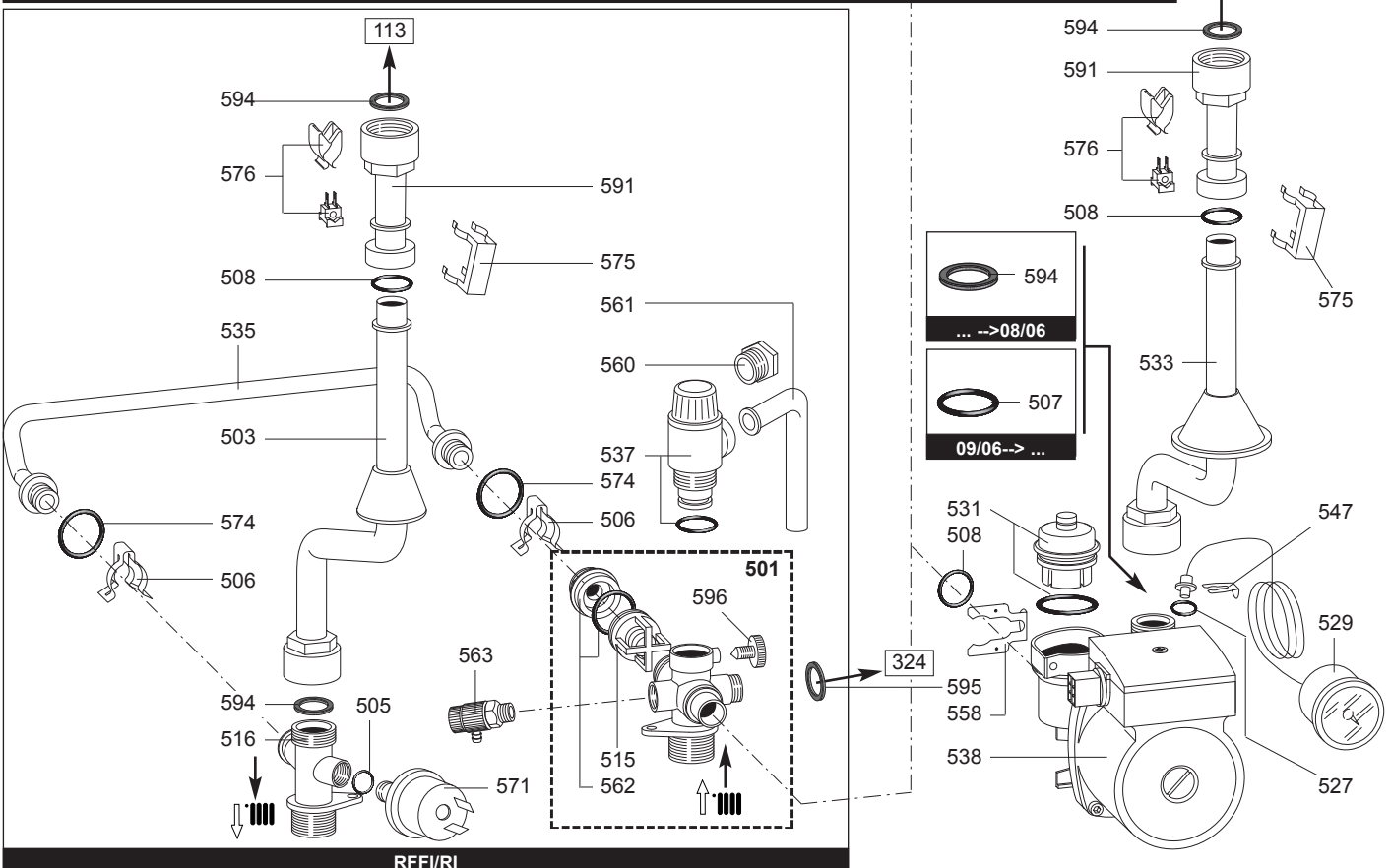




☉⇒	Description	Manf. Pt. N	Type	MICROGENUS PLUS																	
				1	2	3	4	5	6	7	8	9	10	11	12	13	14	15	16	17	18
0100	SEALED CASE																				
0104	CABLE (DETECTION)	996119				●	●	●		●											
0105	PANEL (INSULATION - FRONT)	995952				●	●	●		●											
0107	BURNER	999404	LG			●				●											
	BURNER	998887	NG			●	●	●		●											
0108	PANEL (INSULATION - SIDE)	998639				●	●	●		●											
0110	ELECTRODE (IGNITION L.H.)	65100250				●	●	●		●											
0111	ELECTRODE (DETECTION)	998624				●	●	●		●											
0113	MAIN EXCHANGER	999152				●	●	●		●											
0126	PANEL (INSULATION - REAR)	996161				●	●	●		●											
0134	GASKET 3/4	573520				●	●	●		●											
0135	THERMOSTAT	65102230				●	●	●		●											
	OVERHEAT THERMOSTAT	996065				●	●	●		●								04/05			
0137	ELECTRODE (IGNITION R.H.)	65100251				●	●	●		●									03/05		
0148	FRONT PANEL	995921				●	●	●		●											
0149	BURNER JET WASHER	572138				●	●	●		●											
0150	FIXING SPRING (OVERHEAT THERM.)	998583				●	●	●		●											
0151	PANEL (L.H. SIDE)	995922				●	●	●		●											
0154	PROTECTION SCREEN	65101420				●	●	●		●											
0155	AIR BAFFLE PLATE	65101421				●	●	●		●											
0156	SPRING (FLUE CONTROL PROBE)	573349				●	●	●		●											
0158	BURNER JET (L.P.G. 0.77)	998434	LG			●				●											
	BURNER JET (NG 1.30)	998433	NG			●	●	●		●											
0161	PLATE (FRONTAL)	995312				●	●	●		●											
0162	CABLE HOLDER	573510				●	●	●		●											
0163	CABLE (FLUE CONTROL PROBE)	995309				●	●	●		●											
0165	TEMPERATURE PROBE	65102903					●														
0166	FUME PROBE BRACKET	996098					●														
0167	TEFLON SPACER	65102749					●														
0190	SPRING (FASTENING)	570717				●	●	●		●											



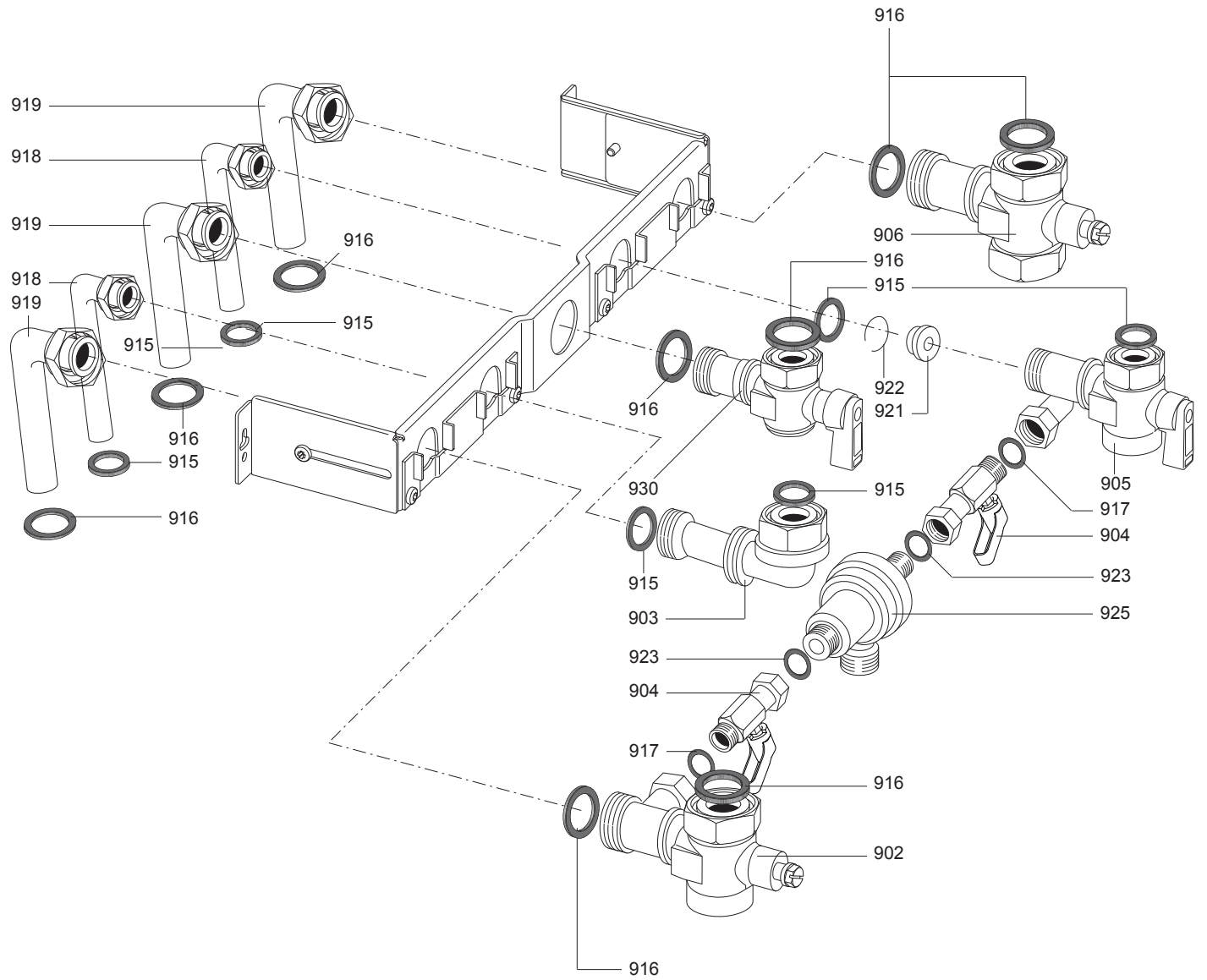
MFFI/MI



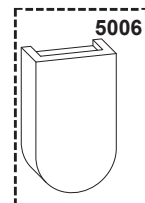
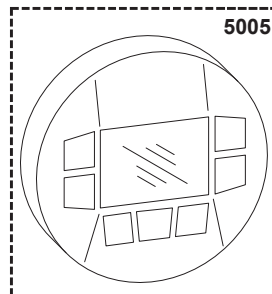
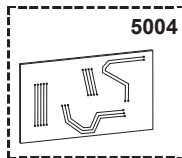
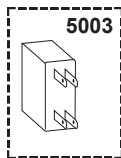
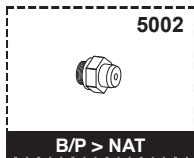
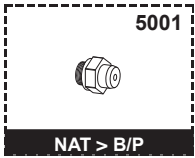
RFFI/RI

594	...	-->08/06
507	09/06-->	...

☉⇒	Description	Manf. Pt. N	Type	MICROGENUS PLUS 24 MFFI MICROGENUS PLUS 24 RFFI MICROGENUS PLUS 24 MI MICROGENUS PLUS 24 IMC MICROGENUS PLUS 24 RI MICROGENUS PLUS 28 MFFI MICROGENUS PLUS 28 MI MICROGENUS PLUS 31 MFFI																	
				1	2	3	4	5	6	7	8	9	10	11	12	13	14	15	16	17	18
0600	ELECTRICAL BOX																				
0602	PRESSURE GAUGE	65100695		•	•	•	•	•	•	•	•										
0613	CONTROL PANEL COVER	65103432		•	•	•	•	•	•	•	•										
0614	CONTROL PANEL	65100728		•	•	•	•	•	•	•	•										
0615	P.C.B. (CMP3-MCU HS MI/MFFI 3S)	65101732		•		•	•		•	•	•										
	P.C.B. (CMP3-MCU HS MI/MFFI/R HE)	65103422			•			•													
0616	P.C.B. (CMP3-DISPLAY)	65100709		•	•	•	•	•	•	•	•										
0619	DISPLAY CABLE	65100697		•	•	•	•	•	•	•	•										
0624	PUSH (CASE DOOR)	65100676		•	•	•	•	•	•	•	•										
0627	CABLE (MOTOR)	65103438			•			•													
	CABLE (MOTOR)	65104570		•		•	•		•	•	•										
0630	CABLE (FAN/AIR PRESSURE SWITCH)	65100702		•					•		•										
	CABLE (FAN/AIR PRESSURE SWITCH)	65101273			•																
0631	CABLE (P.C.B./PUMP)	65100703		•		•	•		•	•	•										
	CABLE (P.C.B./PUMP)	65101353			•				•												
0632	KNOB (ON-OFF)	65100690		•	•	•	•	•	•	•	•										
0633	KNOB	65100689		•	•	•	•	•	•	•	•										
0637	CONTROL PANEL COVER	65100686		•	•	•	•	•	•	•	•										
0638	CABLE (POWER SUPPLY)	65100699		•	•	•	•	•	•	•	•										
0640	BUTTON (RESET)	65100688		•	•	•	•	•	•	•	•										
0641	MODULE KIT (EEPROM CMP3)	65101368		•		•	•		•	•	•										
	MODULE KIT (EEPROM CMP3)	65103444			•				•												
0645	CABLE (EARTH)	65100705		•	•	•	•	•	•	•	•										
0646	CONNECTOR BLOCK	571787		•	•	•	•	•	•	•	•										
0647	LOW VOLTAGE CABLE	65100698		•					•		•										
	LOW VOLTAGE WIRING	65103439			•																
0648	FIXING SPRING (PANEL)	65100678		•	•	•	•	•	•	•	•										
0650	KNOB	65100687		•	•	•	•	•	•	•	•										
0651	NYLON BUSH (10MM)	569711		•	•	•	•	•	•	•	•										
0658	CONTROL PANEL	65105219		•	•	•	•	•	•	•	•										
0660	CABLE (FAN POWER SUPPLY)	65100696		•					•		•										
	CONTROL PANEL WIRING	65101293				•	•				•										
	CONTROL PANEL WIRING	65103423			•																
	CONTROL PANEL WIRING	65103424								•											
0661	KNOB COVER	65103426			•				•												



5000



☉⇒	Description	Manf. Pt. N	Type	<div style="display: flex; justify-content: space-between; font-size: small;"> MICROG. PLUS 24 MPFI MICROG. PLUS 24 RFI MICROG. PLUS 24 MI MICROG. PLUS 24 MI/IMC MICROG. PLUS 24 RI MICROG. PLUS 28 MPFI MICROG. PLUS 28 MI MICROG. PLUS 31 MPFI </div>																		31
				1	2	3	4	5	6	7	8	9	10	11	12	13	14	15	16	17	18	
0900	COCKS & COPPER PLATE																					
0902	ISOLATING VALVE 3/4 (C.H. FLOW)	995486		•	•					•	•											
0903	UNION 1/2 (D.H.W. OUTLET)	998406		•		•	•			•	•											
0904	TAP (3/8"-1/4")	65104047		•	•	•	•	•	•	•	•											
0905	VALVE (1/2)	65102383		•		•	•			•	•											
0906	ISOLATING VALVE (3/4 RETURN)	999582		•	•	•	•	•	•	•	•											
0915	GASKET 1/2	573528		•		•	•			•	•											
0916	GASKET 3/4	573520		•	•	•	•			•	•											
0917	GASKET 3/8	573521		•	•	•	•	•	•	•	•											
0918	PIPE (1/2")	65104049		•		•	•			•	•											
0919	PIPE (3/4")	65104048		•	•	•	•	•	•	•	•											
0921	10 L FLOW LIMITING DEVICE	999511		•		•	•			•	•											
	12 L FLOW LIMITING DEVICE	999512		•		•	•			•	•											
0922	RETAINGING RING	999477		•		•	•			•	•											
0923	GASKET 1/4	569390		•	•	•	•	•	•	•	•											
0925	DISCONNECTING DEVICE	65102382		•	•	•	•	•	•	•	•											
0930	VALVE (3/4)	65104050		•	•	•	•	•	•	•	•											
5000	ACCESSORIES																					
5001	BURNER JET FULL KIT (LPG)	569282	LG	•	•																	
	BURNER JET FULL KIT (LPG)	65100739	LG									•										
	BURNER JET FULL KIT	998717	LG			•	•	•	•	•	•											
5002	BURNER JET FULL KIT (NG)	569281	NG	•	•																	
	BURNER JET FULL KIT (NG)	65100771	NG									•										
	BURNER JET FULL KIT	998716	NG			•	•	•	•	•	•											
5003	ZONE VALVE RELAY (KIT)	992092		•	•	•	•	•	•	•	•											
5004	REMOTE CONTROL INTERFACE	996041		•	•	•	•	•	•	•	•											
5005	REMOTE CONTROL	996055		•	•	•	•	•	•	•	•											
5006	OUTSIDE HEAT SENSOR	65109110		•	•	•	•	•	•	•	•											

LIST OF THE ABBREVIATIONS

HW	: Hot water.
CW	: Cold water.
C	: Ceramic resistance (normal heating).
Ca	: Ceramic resistance (accelerated heating)
TP	: Immersion heater.
1F	: With fittings.
2F	: Without fittings.
3F	: With fittings and another outlet connection.
AMI	: With mixing valve.
SMI	: Without mixing valve.
PUISS	: Power of th appliance.
PN	: Appliance with normal pression.
LP	: Appliance with low pression.
PV	: Appliance with variable power.
PF	: Appliance with fixed power.

IDENTIFICATION PLATE

SERIAL NUMBER

10 Characters :

04 05 125 011
 Year of manufacture Manufacturing day Sequential number

11 Characters :

1 95 065004 - 31
 Month of manufacture : Technical number of the appliance
 from 1 to 9 → Jan. to Sep.,
 O → Oct., N → Nov.,
 D → Dec. Sequential number
 Year of manufacture

19 Characters :

08 05 0013199 900640031
 Year of manufacture Product reference
 Month of manufacture Sequential number

20 Characters :

3675007 XX 2 07 070 00315
 Product reference Sequential number
 Millenium of manufacture Manufacturing day
 Year of manufacture

21 Characters :

3675007 XX 07 070 0000315
 Product reference Sequential number
 Year of manufacture Manufacturing day