



**ARISTON**

# SPARE PARTS EXPLODED VIEW INSTANTANEOUS GAS WATER HEATERS

Model

## **NEXT OUTDOOR EU**

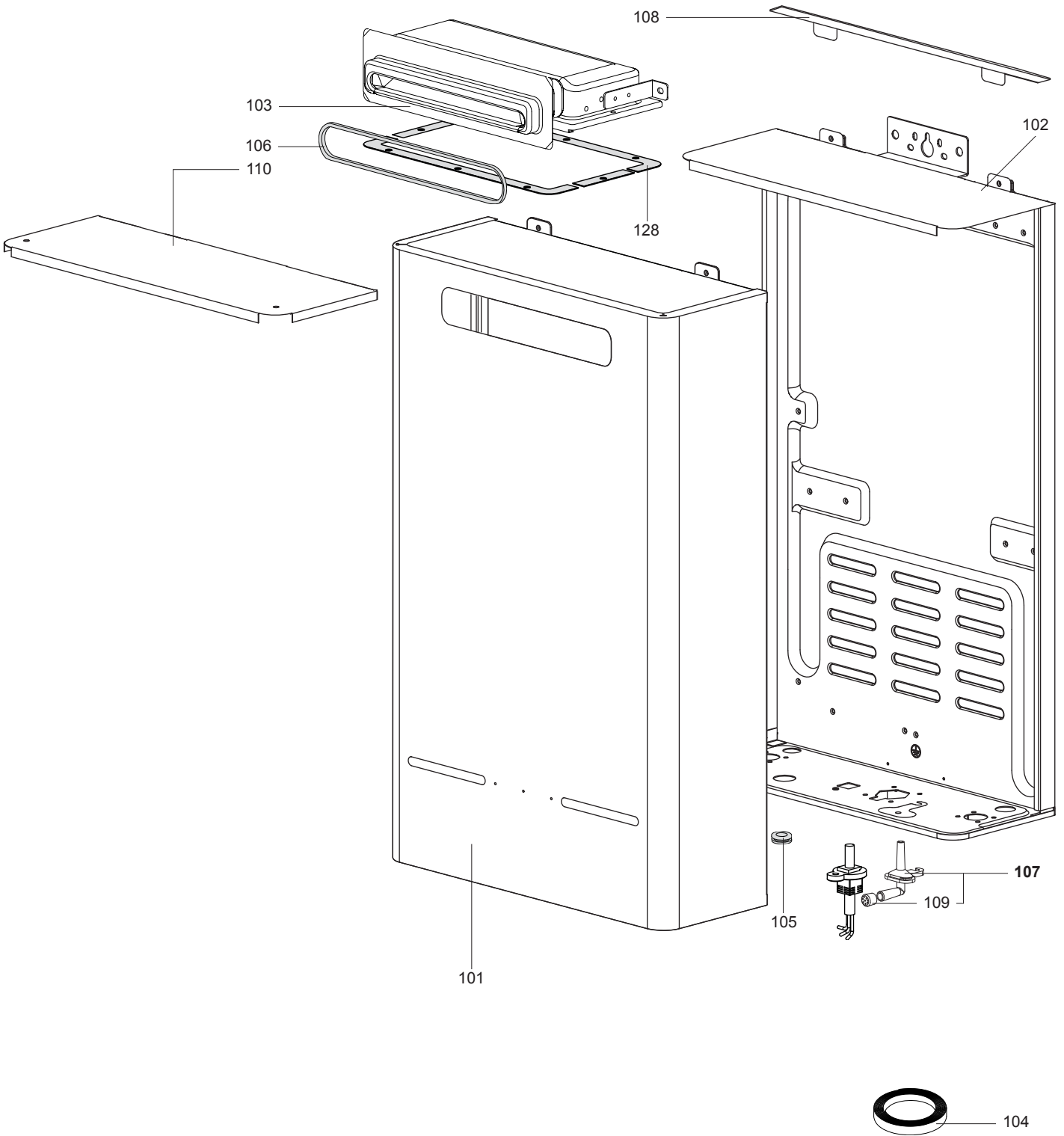
R8217270-02 - 07/09/2018

NEXT OUTDOOR EU

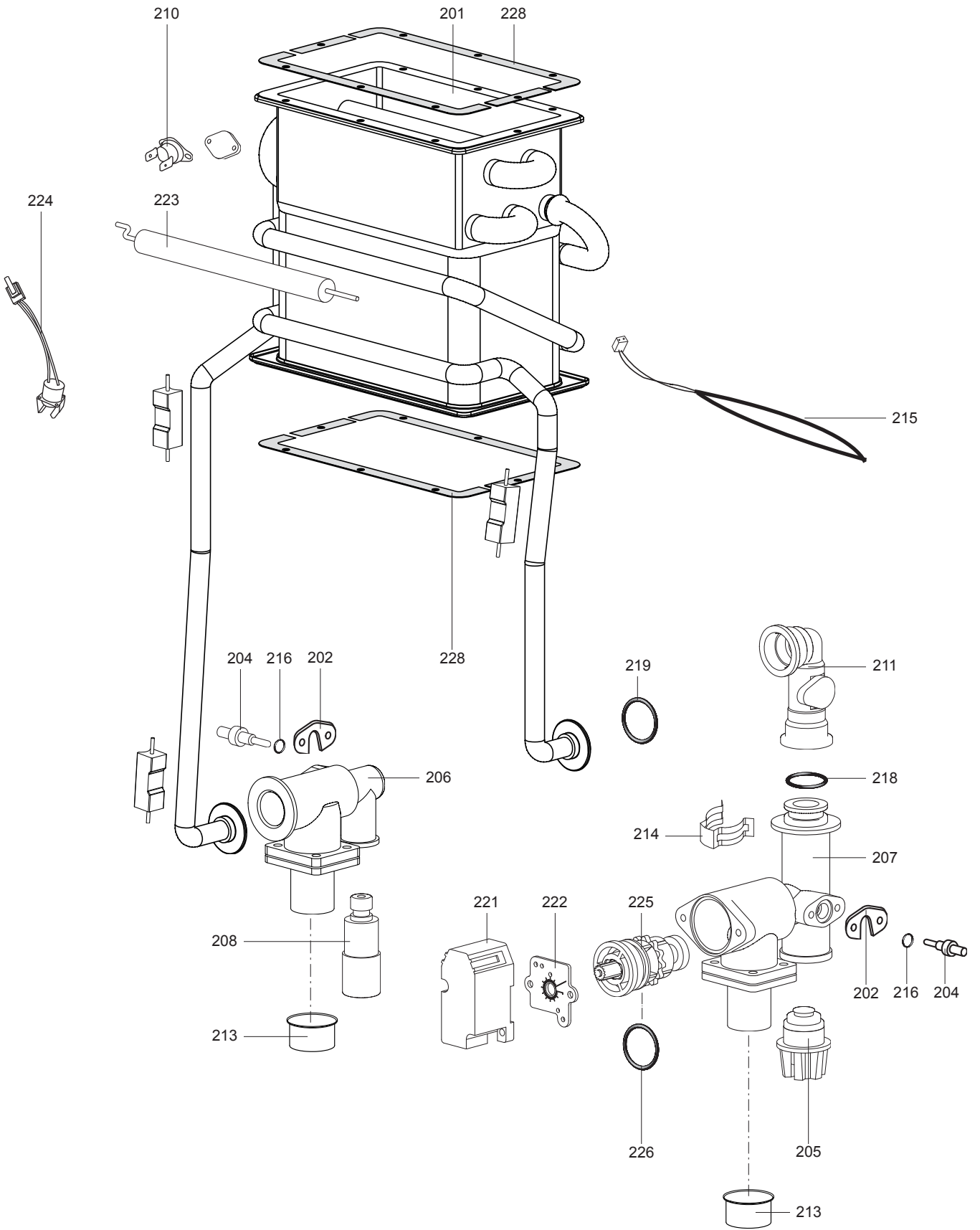
Instantaneous Gas Water Heaters

1	3632255	NEXT OUTDOOR 11 NG EU	04-2015	10-2017
1	3632256	NEXT OUTDOOR 11 LPG EU	04-2015	10-2017
2	3632257	NEXT OUTDOOR 16 NG EU	04-2015	10-2017
2	3632258	NEXT OUTDOOR 16 LPG EU	04-2015	10-2017
3	3632259	NEXT OUTDOOR 20 NG EU	04-2015	10-2017
4	3632260	NEXT OUTDOOR 24 NG EU	04-2015	10-2017

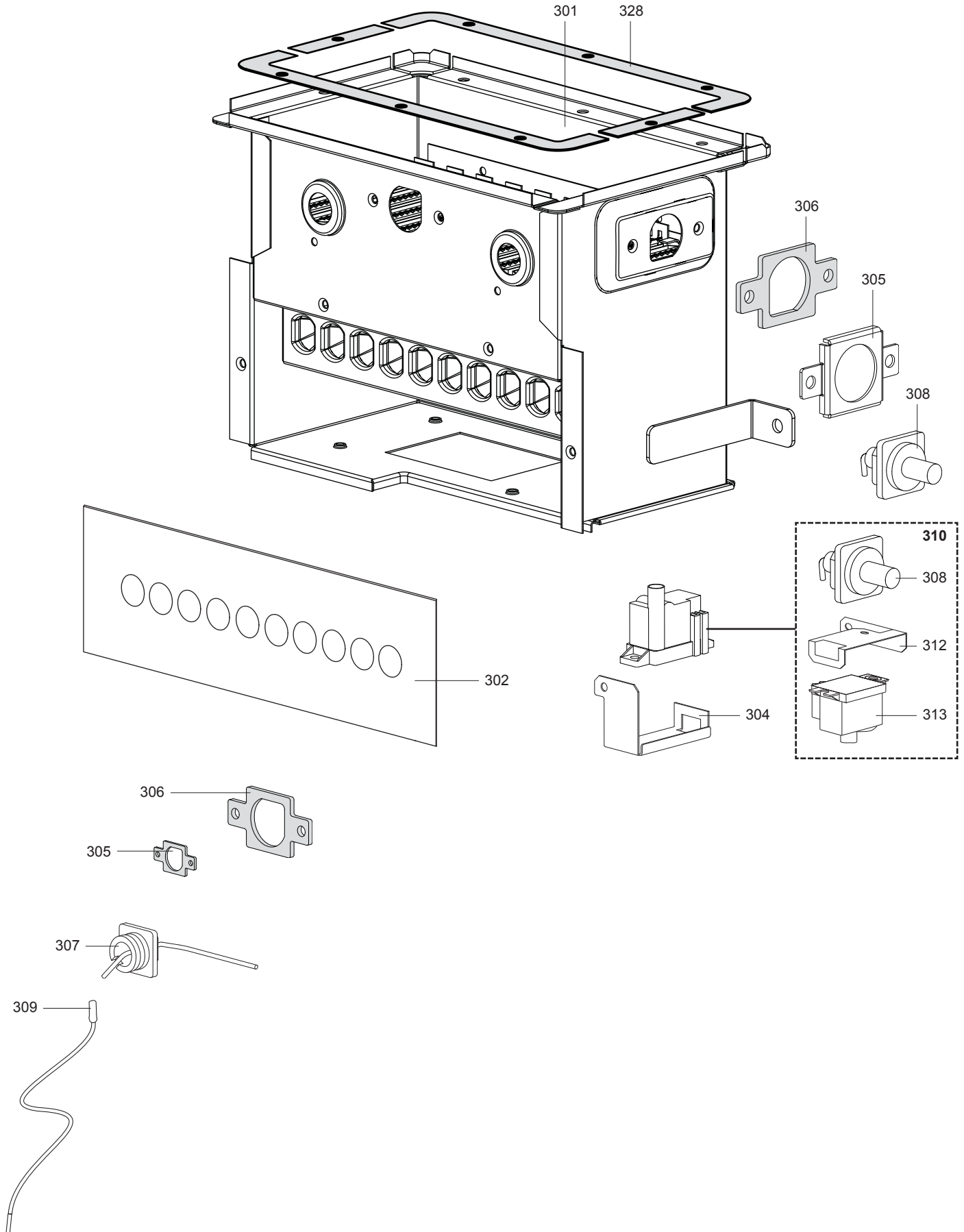
Col	Reference	Model type	Begin	End
-----	-----------	------------	-------	-----



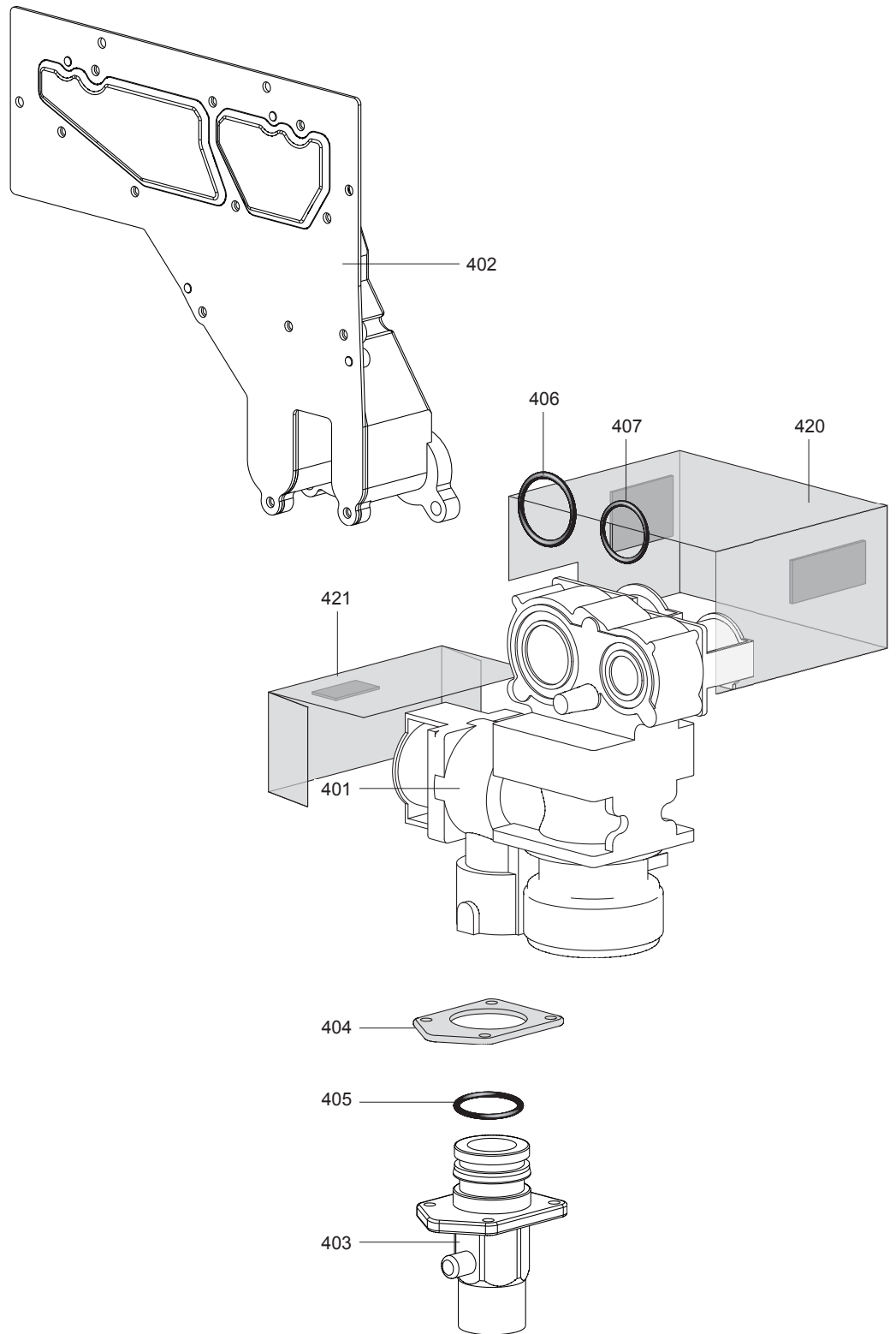
☰	Description	Manf. Pt. N	Type	<div style="display: flex; justify-content: space-between; align-items: center;"> <div style="transform: rotate(-45deg); font-size: small;">NEXT OUTDOOR 11</div> <div style="transform: rotate(-45deg); font-size: small;">NEXT OUTDOOR 16</div> <div style="transform: rotate(-45deg); font-size: small;">NEXT OUTDOOR 20</div> <div style="transform: rotate(-45deg); font-size: small;">NEXT OUTDOOR 24</div> </div>																		From	to
				1	2	3	4	5	6	7	8	9	10	11	12	13	14	15	16	17	18		
<b>0100</b>	<b>CHASSIS-FRONT CASE</b>																						
0101	CASE PANEL (FRONT-11L)	65152153		•																			
	CASE PANEL (FRONT-16L)	65152154			•																		
	CASE PANEL (FRONT-20L)	65152185				•	•																
0102	BACK COVER	65151999		•	•																		
0103	FLUE HOOD	65158374		•	•	•	•																
	FLUE HOOD	65158375		•																			
0104	AIRPROOF PATCH	65158398		•	•	•	•																
0105	CABLE HOLDER	65158547		•	•	•	•																
0106	GASKET	65158414			•																		
	GASKET	65158415		•																			
	GASKET	65158431				•	•																
0107	WIND PRESSURE BALANCE PIPE	65158678		•	•	•	•																
0108	AIRPROOF BAR FOR FRONT COVER	65158679		•	•	•	•																
0109	FILTER RUBBER	65152041		•	•	•	•																
0128	GASKET 11L	65153886		•																			
	GASKET 16L	65153887			•																		











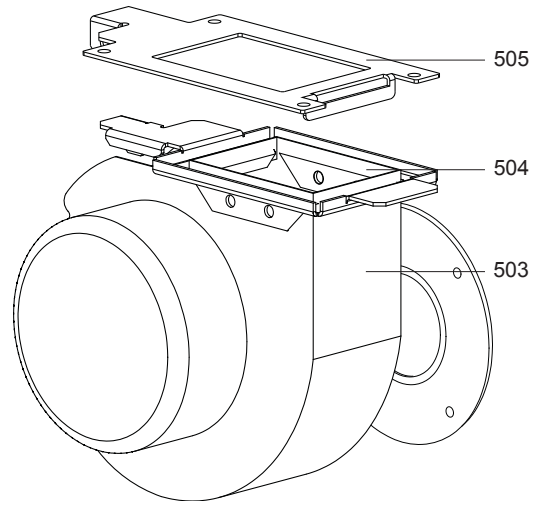
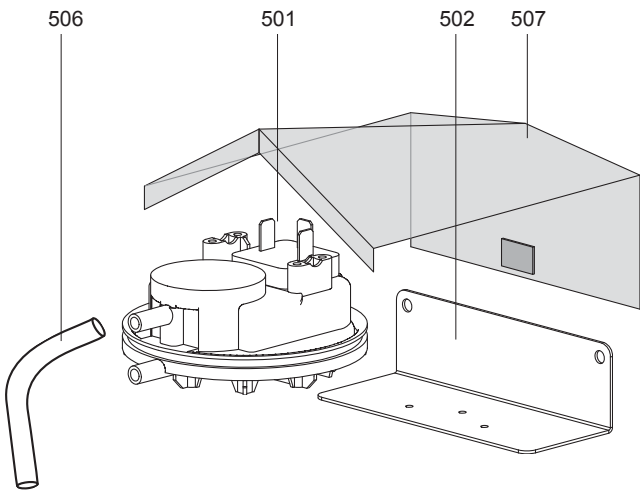


NEXT OUTDOOR 11  
 NEXT OUTDOOR 16  
 NEXT OUTDOOR 20  
 NEXT OUTDOOR 24

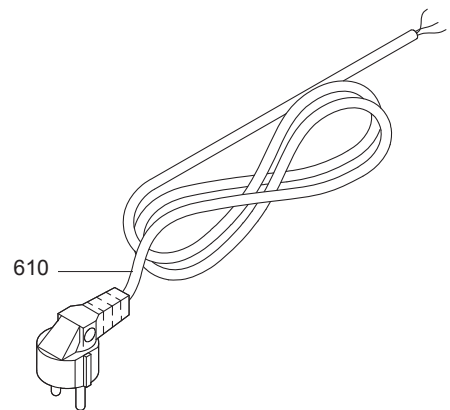
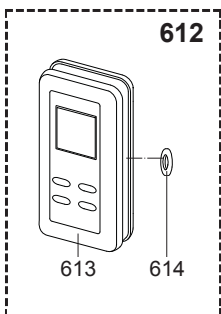
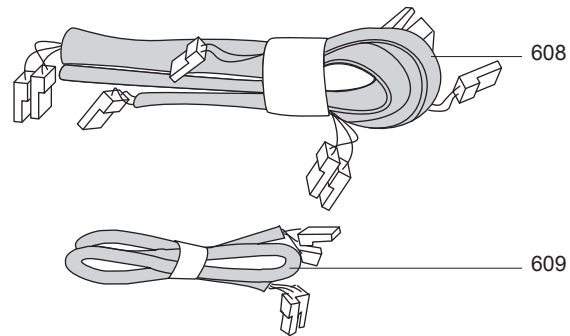
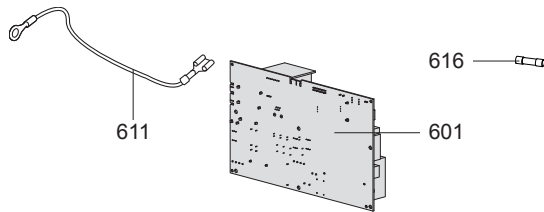
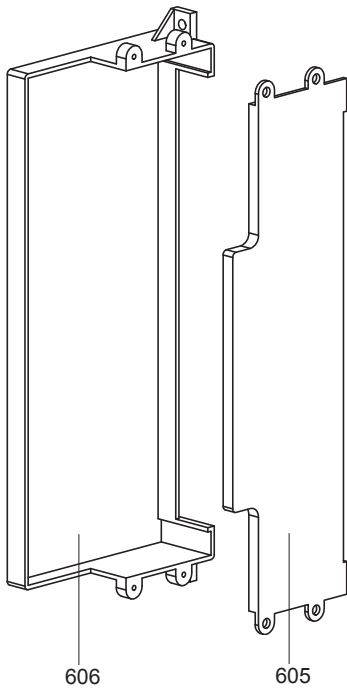
31

	Description	Manf. Pt. N	Type																			From	to
				1	2	3	4	5	6	7	8	9	10	11	12	13	14	15	16	17	18		
0400	<b>GAS SECTION</b>																						
0401	GAS VALVE	65158231		●	●	●	●																
0402	GAS MANIFOLD	65158557	LG	●																			
	GAS MANIFOLD	65158558	LG			●																	
	GAS MANIFOLD	65152180	NG				●	●															
	GAS MANIFOLD	65158526	NG	●																			
	GAS MANIFOLD	65158528	NG		●																		
0403	GAS CONNECTION (3/4")	65158234		●	●	●	●																
0404	GASKET	65158236		●	●	●	●																
0405	O-RING FOR INLET GAS (10 PCS)	65158241		●	●	●	●																
0406	GASKET (10 PCS)	65158254		●	●	●	●																
0407	GASKET (10 PCS)	65158255		●	●	●	●																
0420	SHIELD (GAS VALVE-PART A)	65152094		●	●	●	●																
0421	SHIELD (GAS VALVE-PART B)	65152093		●	●	●	●																

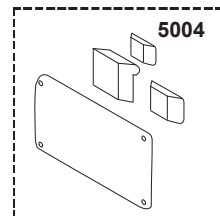
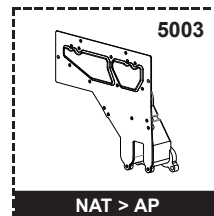
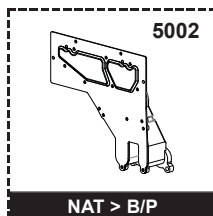
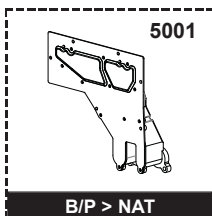
500



600



5000



NEXT OUTDOOR 11  
 NEXT OUTDOOR 16  
 NEXT OUTDOOR 20  
 NEXT OUTDOOR 24

Code	Description	Manf. Pt. N	Type																			From	to				
				1	2	3	4	5	6	7	8	9	10	11	12	13	14	15	16	17	18						
<b>0500</b>	<b>FAN ASSEMBLY</b>																										
0501	AIR PRESSURE SWITCH 74 Pa	60001280		•	•	•	•																				
0502	AIR PRESSURE SWITCH SUPPORT	65158531		•	•	•	•																				
0503	FAN (Assembly)	65152181				•	•																				
	FAN (Assembly)	65158529		•																							
	FAN (Assembly)	65158530			•																						
0504	FAN SUPPORT	65158429				•	•																				
	FAN SUPPORT	65158545		•	•																						
0505	FAN ASSEMBLY SUPPORT	65158549		•	•																						
	FAN SUPPORT	65158434					•	•																			
0506	SILICONE PIPE	65152183				•	•																				
	SILICONE PIPE	65158550		•	•																						
0507	WATER SHIELD (AIR PRESSURE SWITCH)	65152092		•	•	•	•																				
<b>0600</b>	<b>ELECTRICAL BOX</b>																										
0601	MAIN BOARD NEXT OUTDOOR	65152145-03		•	•	•	•																				
0605	ELECTRICAL BOX COVER	65151994		•	•																						
	ELECTRICAL BOX COVER	65152184				•	•																				
0606	ELECTRIC BOX	65151995		•	•	•	•																				
0608	HIGH VOLTAGE CABLE	65152000		•	•	•	•																				
0609	LOW VOLTAGE CABLE	65158536		•	•	•	•																				
0610	POWER CABLE	65152001		•	•	•	•																				
0611	CABLE (EARTH)	65158538		•	•	•	•																				
0612	REMOTE CONTROLLER (ARISTON)	65158708		•	•	•	•																				
0613	DISPLAY COVER	65158523		•	•	•	•																				
0614	CABLE HOLDER	65159068		•	•	•	•																				
0616	FUSE (20-24LT)	65152186					•	•																			
<b>5000</b>	<b>ACCESSORIES</b>																										
5001	CONVERSION KIT TO NATURAL GAS	65158694		•																							
5002	CONVERSION KIT TO LPG	65152191				•																					
	CONVERSION KIT TO LPG	65158695		•																							
	CONVERSION KIT TO LPG	65158697			•																						
5003	CONVERSION KIT TO G230	65152192					•																				
	CONVERSION KIT TO G230	65158692		•																							
5004	CONVERSION KIT TO G230	65158693			•	•	•																				
	WATERPROOFING KIT	65152003		•	•	•	•																				

## LIST OF THE ABBREVIATIONS

HW .....	: Hot water.
CW .....	: Cold water.
C .....	: Ceramic resistance (normal heating).
Ca .....	: Ceramic resistance (accelerated heating)
TP .....	: Immersion heater.
1F .....	: With fittings.
2F .....	: Without fittings.
3F .....	: With fittings and another outlet connection.
AMI .....	: With mixing valve.
SMI .....	: Without mixing valve.
PUISS .....	: Power of th appliance.
PN .....	: Appliance with normal pression.
LP .....	: Appliance with low pression.
PV .....	: Appliance with variable power.
PF .....	: Appliance with fixed power.

## IDENTIFICATION PLATE

### SERIAL NUMBER

**6 Characters :**  
 Year of manufacture 03 09 08 Manufacturing day  
 Month of manufacture

**9 Characters :**  
 Year of manufacture M 12 10 0606 Sequential number  
 Month of manufacture

**14 Characters :**  
SI-V-0B0 45 07 0001  
 Sequential number  
 Year of manufacture : 6 → 2004  
 Month of manufacture : → 25 → January 43 → July 7 → 2005  
13 → February 29 → August 8 → 2006  
32 → March 40 → September etc ...  
35 → April 38 → October  
39 → May 51 → November  
45 → June 12 → December

**15 Characters :**  
02 11 00001 007843  
 Year of manufacture 02 Code appareil  
 Month of manufacture 11 Sequential number

**21 Characters :**  
3200050 XX 08115 0000001  
 Product reference Sequential number  
 Year (08) / Manufacturing day (115)

**22 Characters :**  
3200050 XX 070115 0000001  
 Product reference Sequential number  
 Year (07) / Month (01) / Manufacturing day (15)