

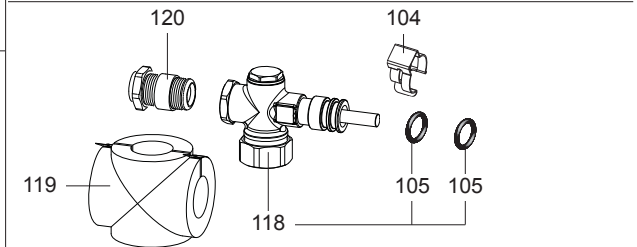
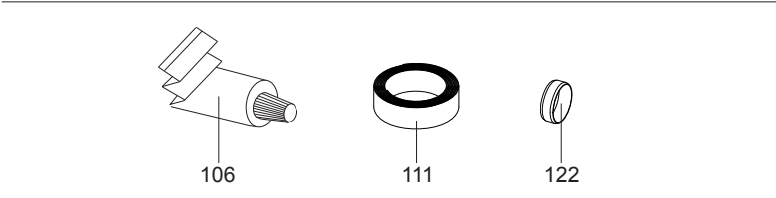
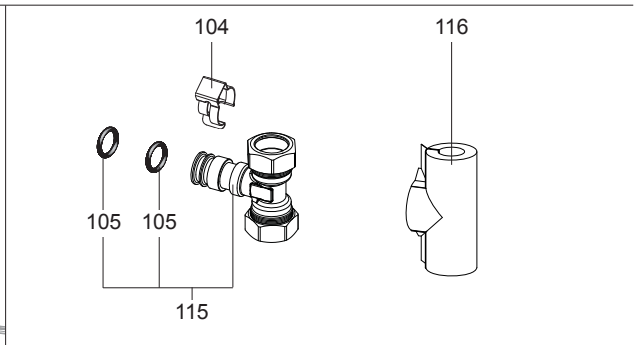
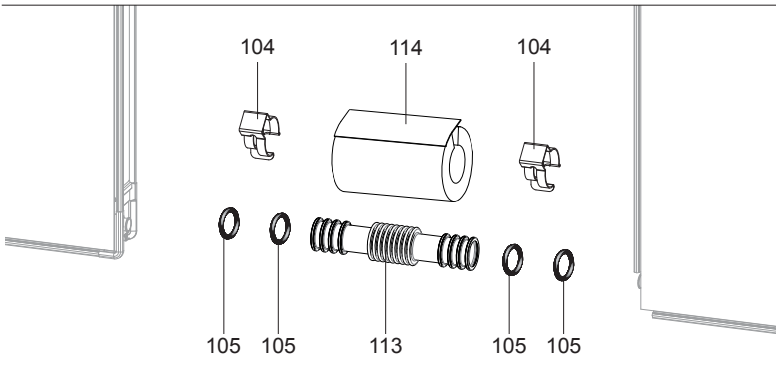
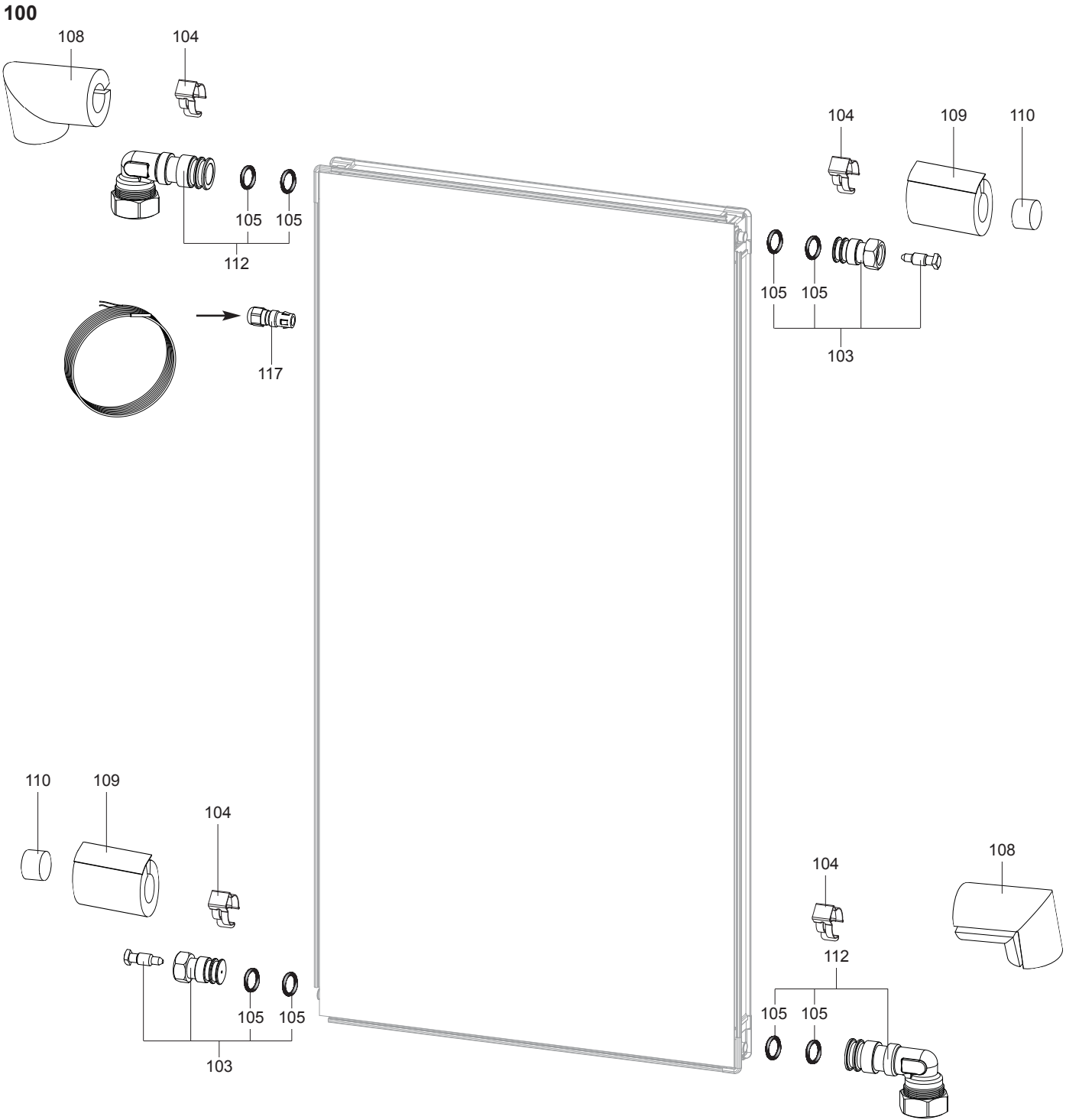
SPARE PARTS EXPLODED VIEW SOLARSYSTEM

Model

CONNECTION SET (SOLATRON, NSYS)

R8216611-03 - 08/08/2013

1	3024093	RACC. IDRAULICI 1 COLL.	07-2010	-
1	3024094	RACC.IDR.ESTENS. 1 COLL. (SOLATRON S,XP)	07-2010	-
1	3024095	RACCORDO CURVO (SOLATRON,XP)	07-2010	-
1	3024096	RACCORDO A T (SOLATRON S,XP)	07-2010	-
1	3024098	TAPPO DI SFIATO (SOLATRON S, XP)	07-2010	-
1	3024170	RACCORDO XP/SOLATRON CON PORTASONDA	11-2012	-
Col	Reference	Model type	Begin	End



☺	Description	Manf. Pt. N	Type	CONNECTION SET															
				1	2	3	4	5	6	7	8	9	10	11	12	13	14	15	16
0103	DEAERATOR + O-RING	65110727		•															
0104	CLIP	65110331		•															
0105	O-RING 17,2 X 3 (q.4)	65110733		•															
0106	GREASE	65110723		•															
0108	ELBOW INSULATION	65110728		•															
0109	DEAERATOR INSULATION	65110729		•															
0110	PLUG INSULATION	65110730		•															
0111	ADHESIVE GASKET (400MM)	65110734		•															
0112	ELBOW CONNECTION + O-RING	65110725		•															
0113	COMPENSATOR + O-RING	65110724		•															
0114	COMPENSATOR INSULATION	65110731		•															
0115	T CONNECTION	65110726		•															
0116	T INSULATION	65110732		•															
0117	CABLE CLAMP	65110783		•															
0118	HEAT SENSOR SUPPORT CONNECTION + O-RING	65113370		•															
0119	HEAT SENSOR SUPP. CONNECTION INSULATION	65113371		•															
0120	CONNECTION FOR COLLECTOR SONDE	60000091		•															
0122	COMPRESSION RING D22	4616023403		•															

LIST OF THE ABBREVIATIONS

HW	: Hot water.
CW	: Cold water.
C	: Ceramic resistance (normal heating).
Ca	: Ceramic resistance (accelerated heating)
TP	: Immersion heater.
1F	: With fittings.
2F	: Without fittings.
3F	: With fittings and another outlet connection.
AMI	: With mixing valve.
SMI	: Without mixing valve.
PUISS	: Power of th appliance.
PN	: Appliance with normal pression.
LP	: Appliance with low pression.
PV	: Appliance with variable power.
PF	: Appliance with fixed power.

IDENTIFICATION PLATE

SERIAL NUMBER

6 Characters :					
Year of manufacture	03	09	08	Manufacturing day	
				Month of manufacture	
9 Characters :					
Year of manufacture	M	12	10	0606	Sequential number
Month of manufacture					
14 Characters :					
	SI-V-0B0	45	07	0001	
					Sequential number
					Year of manufacture :
					25 → January 43 → July 7 → 2005 13 → February 29 → August 8 → 2006 32 → March 40 → September etc ... 35 → April 38 → October 39 → May 51 → November 45 → June 12 → December
					Product model
15 Characters :					
Year of manufacture	02	11	00001	007843	Code appareil
Month of manufacture					Sequential number
21 Characters :					
	3200050	XX	08115	0000001	Sequential number
Product reference					Year (08) / Manufacturing day (115)
22 Characters :					
	3200050	XX	070115	0000001	Sequential number
Product reference					Year (07) / Month (01) / Manufacturing day (15)

The indications mentioned on the prices, commercial or technical literature and the scheme are written for your guidance and are available at a given time. The CONSTRUCTOR retains the power to modify the presentation, the form, the size, the conception or the material of the products.