



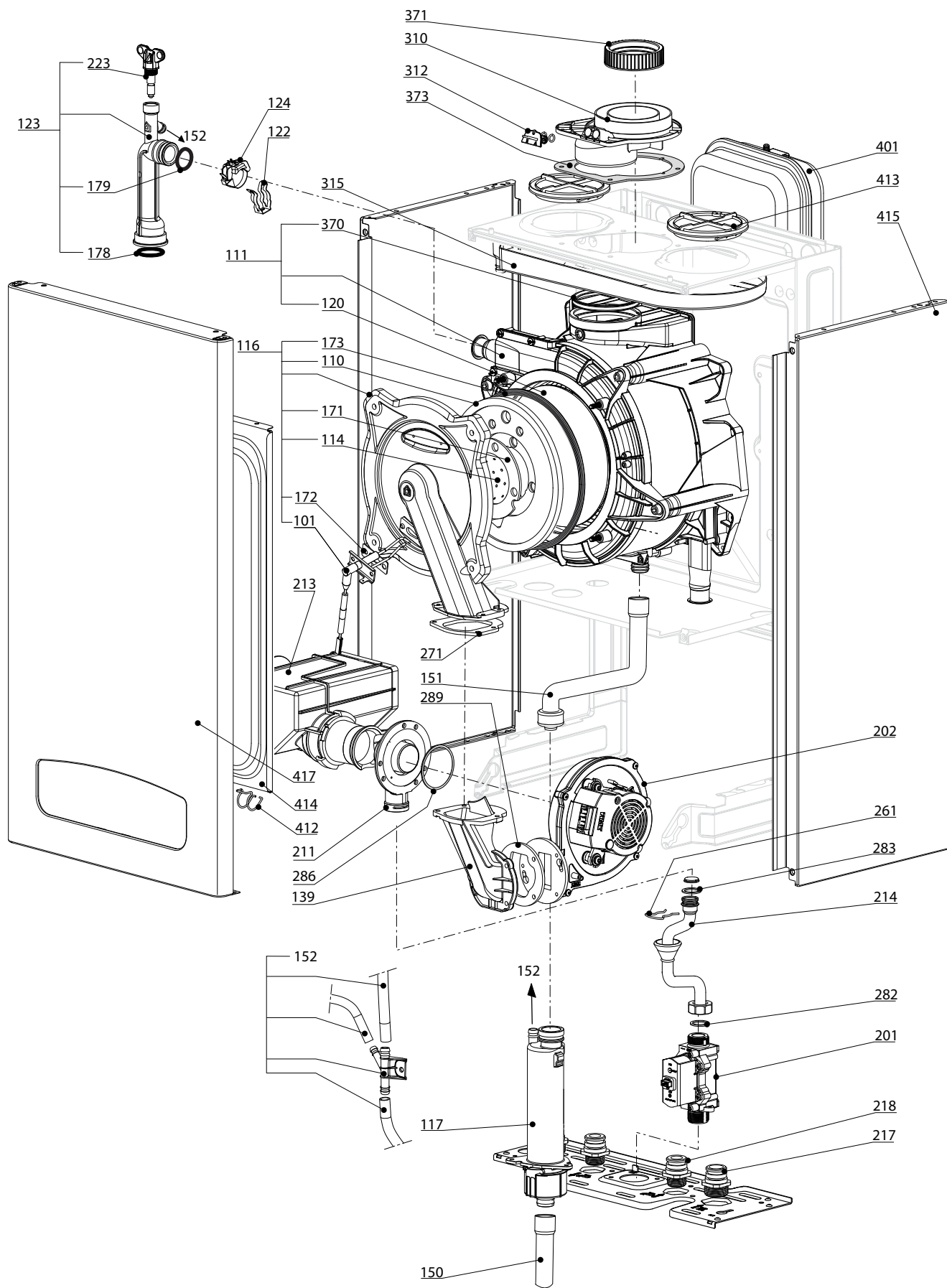
SPARE PARTS EXPLODED VIEW
GAS-WALL CONDENSING BOILERS
Model
CLAS B ONE PLUS FR

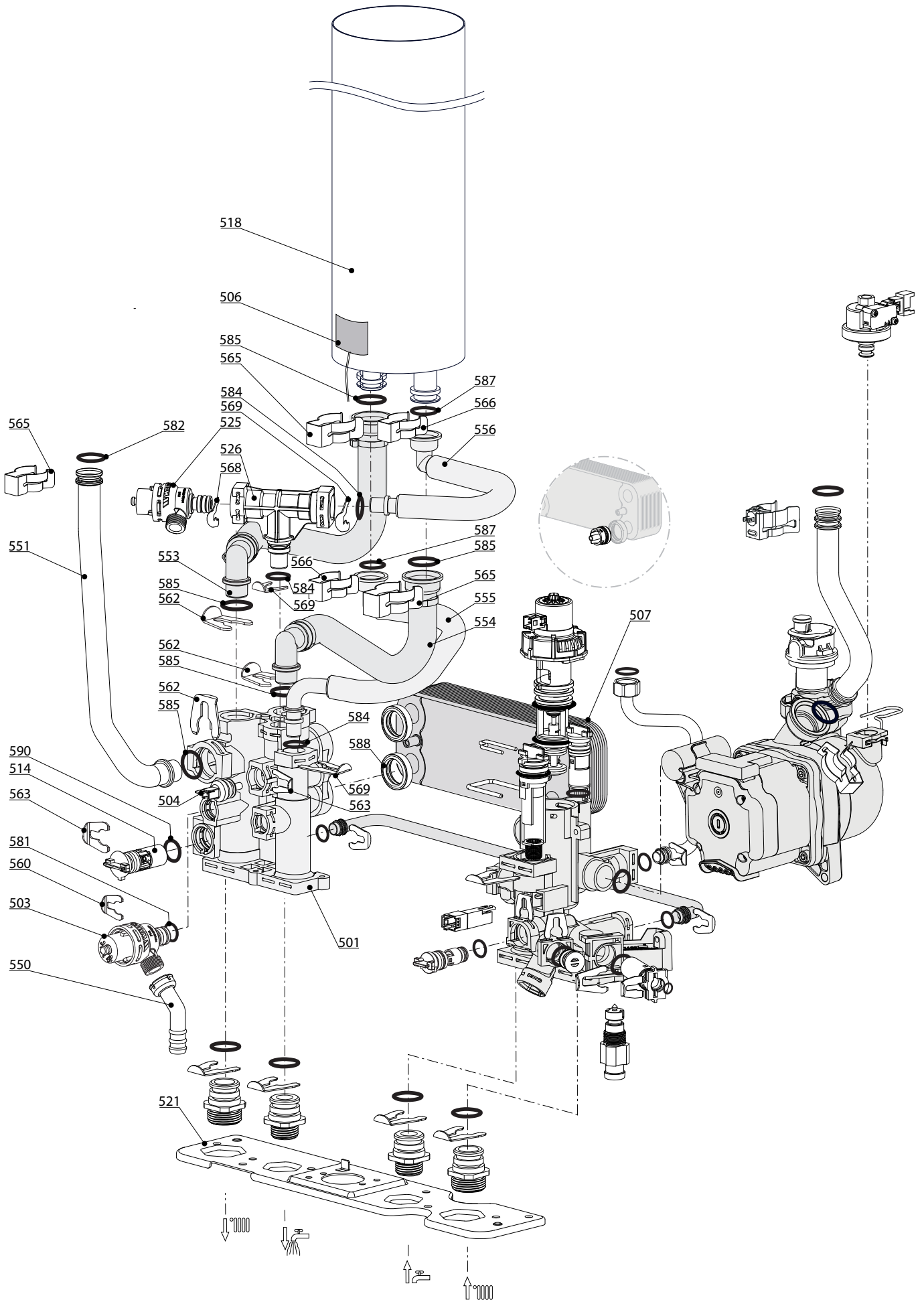
R8218596-02 - 18/03/2021

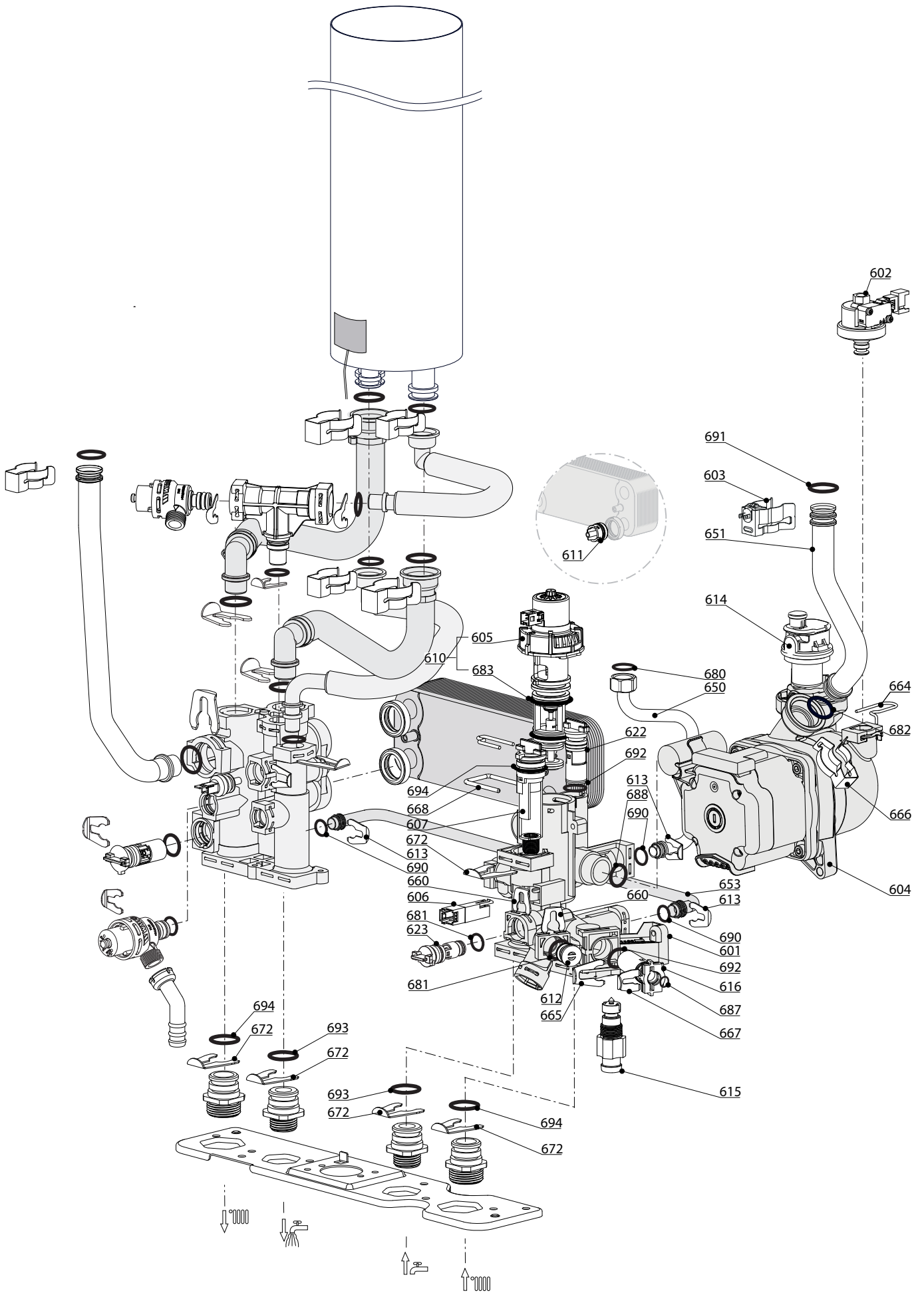
CLAS B ONE PLUS

Gas-wall condensing boilers

1	3301610	CLAS B ONE PLUS 25 FR	10-2020	-
2	3301611	CLAS B ONE PLUS 30 FR	10-2020	-
3	3301612	CLAS B ONE PLUS 35 FR	10-2020	-
Col	Reference	Model type	Begin	End





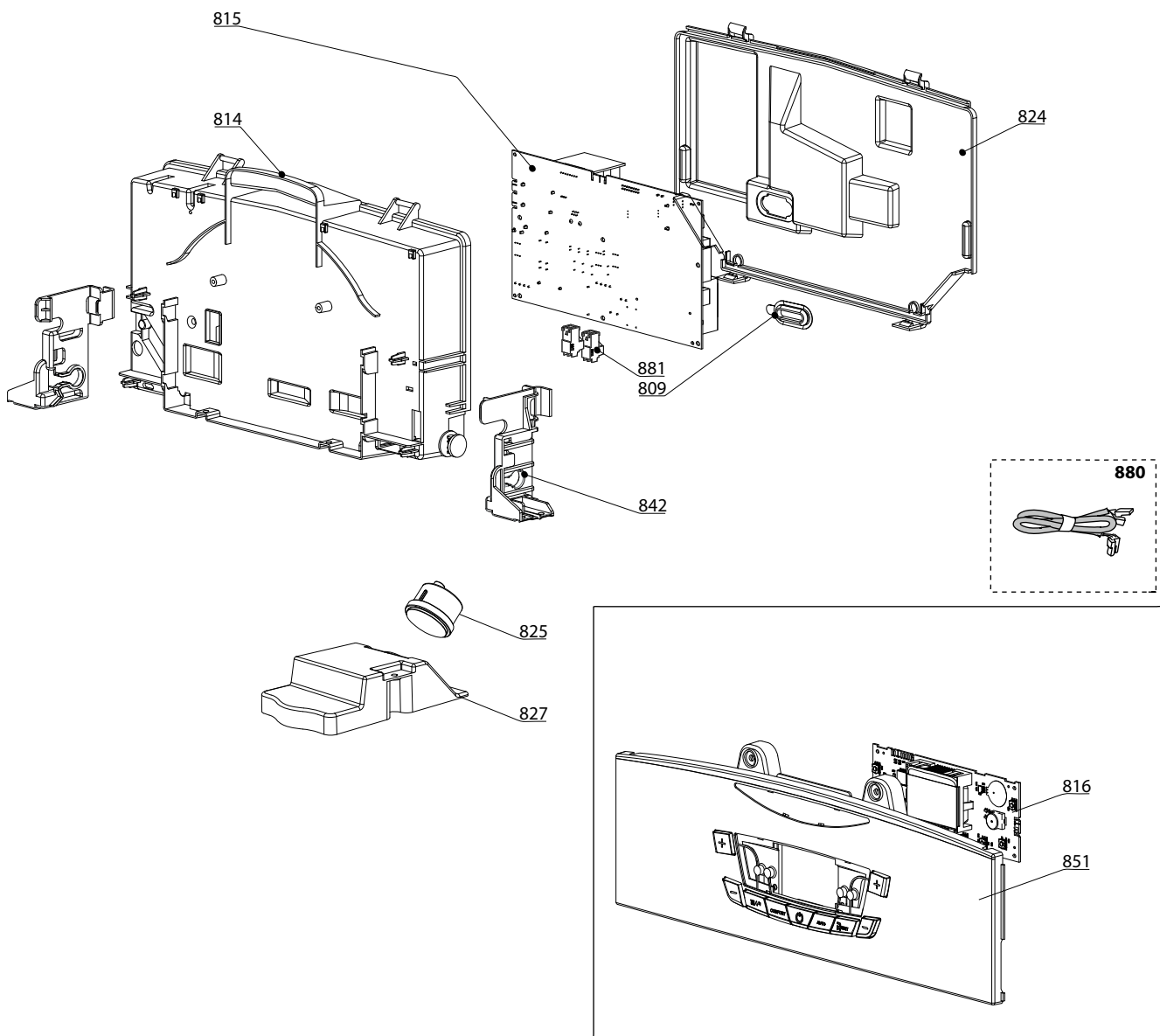


CLAS B ONE PLUS 25
 CLAS B ONE PLUS 30
 CLAS B ONE PLUS 35

31

☉→	Description	Manf. Pt. N	Type																			From	to
				1	2	3	4	5	6	7	8	9	10	11	12	13	14	15	16	17	18		
0600	RETURN GROUP																						
0601	RETURN GROUP	65116833		●	●	●																	
0602	PRESSURE SWITCH (PROPORTIONAL)	65115793		●	●	●																	
0603	TEMPERATURE PROBE + CLIP	990686-01		●	●	●																	
0604	PUMP 5M PWM TACO	65116908-03	TACO	●	●	●																	
0605	MOTOR (3-WAY VALVE)	65114936		●	●	●																	
0606	SENSOR (REED)	65114921-01		●	●	●																	
0607	FLOW METER CAP	65114919		●	●	●																	
0610	MOTOR + SPRING 3 WAY VALVE KIT	65114924		●	●	●																	
0611	RIDUCTORS (KIT)	65116836		●	●																		
0612	PLUG	65114920		●	●	●																	
0613	CLIP D10	65104260		●	●	●																	
0614	AUTO AIR VENT - TACO ENER+	65112086	TACO	●	●	●																	
0615	DRAIN COCK	65114922		●	●	●																	
0616	WATER FILTER	65114923		●	●	●																	
0622	BY-PASS	65114917		●	●	●																	
0623	CHECK VALVE CARTRIDGE	65114918-01		●	●	●																	
0650	PIPE (EXPANSION VESSEL)	65117388		●	●	●																	
0651	PIPE (C.H. RETURN)	60002811		●	●	●																	
0653	BY-PASS PIPE	65116210		●	●	●																	
0660	CLIP D:10	65114933		●	●	●																	
0664	CLIP	65104322		●	●	●																	
0665	CLIP D:12	65114932		●	●	●																	
0666	CLIP	60000309		●	●	●																	
0667	CLIP D:6	65100680		●	●	●																	
0668	CLIP	65114927		●	●	●																	
0672	CLIP D=19	65114931		●	●	●																	
0680	GASKET 3/8 in	573521		●	●	●																	
0681	O-RING 9.9X2.62	65114937		●	●	●																	
0682	O-RING 17.04X3.53	65104262		●	●	●																	
0683	O-RING 23.47X2.62	65114939		●	●	●																	
0687	O-RING 5.7X1.9	61009834-10		●	●	●																	
0688	O-RING 21.89X2.62	65104320		●	●	●																	
0690	O-RING 8.9X2.7	61009834-14		●	●	●																	
0691	O-RING 17.86X2.62	61308091		●	●	●																	
0692	O-RING 11.91X2.62	65114940		●	●	●																	
0693	O-RING 15.88X2.62	65114941		●	●	●																	
0694	O-RING 17.13X2.62	65114938		●	●	●																	

800



5000

- 5020**
- Accessories
 - Options
 - Opzioni
 - Accessorio
 - Zubehör
 - Opties

LIST OF THE ABBREVIATIONS

HW	: Hot water.
CW	: Cold water.
C	: Ceramic resistance (normal heating).
Ca	: Ceramic resistance (accelerated heating)
TP	: Immersion heater.
1F	: With fittings.
2F	: Without fittings.
3F	: With fittings and another outlet connection.
AMI	: With mixing valve.
SMI	: Without mixing valve.
PUISS	: Power of th appliance.
PN	: Appliance with normal pression.
LP	: Appliance with low pression.
PV	: Appliance with variable power.
PF	: Appliance with fixed power.

IDENTIFICATION PLATE

SERIAL NUMBER

10 Characters :	04 05 125 011		
		Sequential number	
		Manufacturing day	
		Year of manufacture	
11 Characters :	1 95 065004 - 31		
Month of manufacture :		Technical number of the appliance	
from 1 to 9 → Jan. to Sep.,		Sequential number	
O → Oct., N → Nov.,		Year of manufacture	
D → Dec.			
19 Characters :	08 05 0013199 900640031		
Year of manufacture		Product reference	
Month of manufacture		Sequential number	
20 Characters :	3675007 XX 2 07 070 00315		
Product reference		Sequential number	
Millenium of manufacture		Manufacturing day	
		Year of manufacture	
21 Characters :	3675007 XX 07 070 0000315		
Product reference		Sequential number	
Year of manufacture		Manufacturing day	