



ARISTON

SPARE PARTS EXPLODED VIEW GAS WALL BOILERS

Model

MICROGENUS

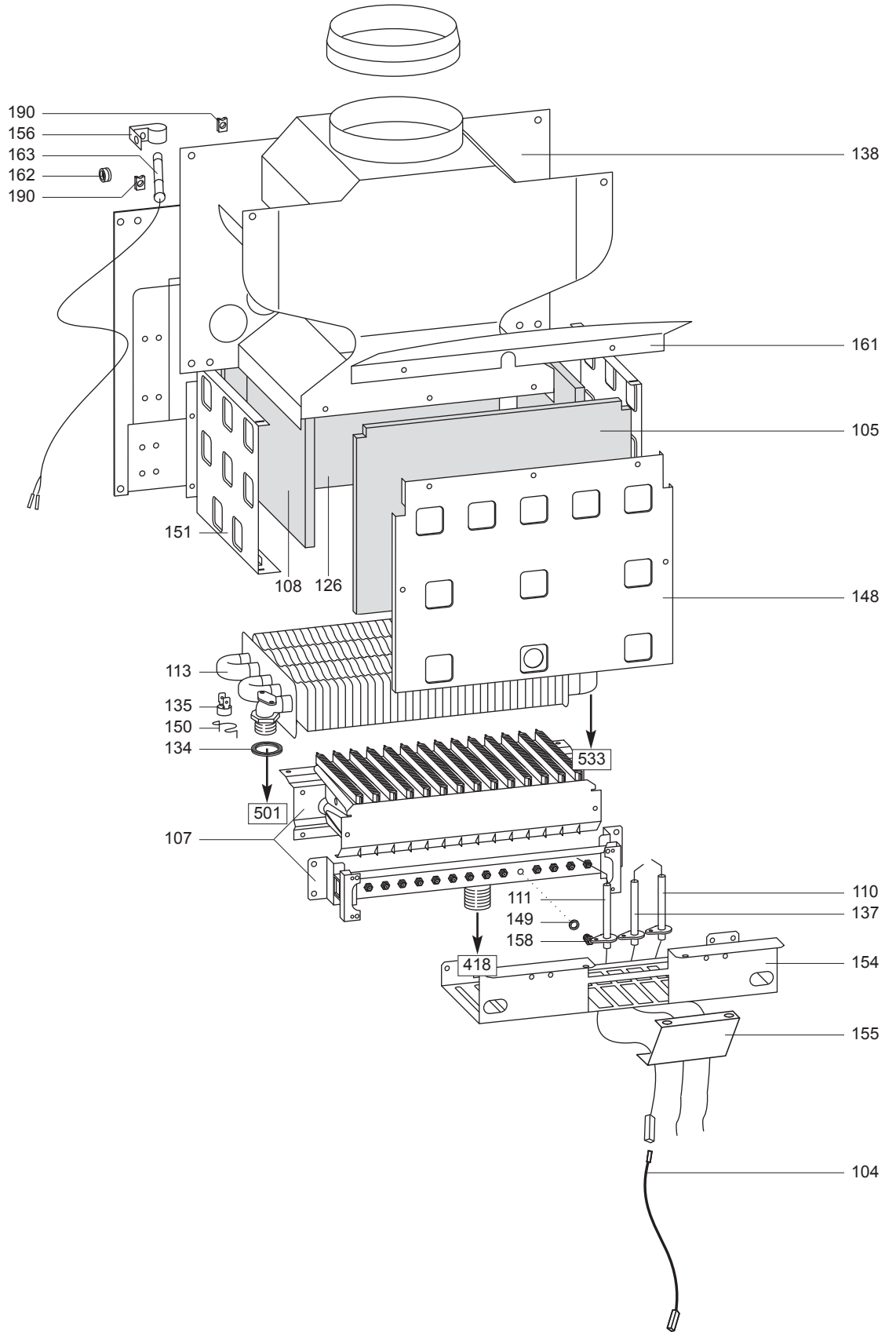
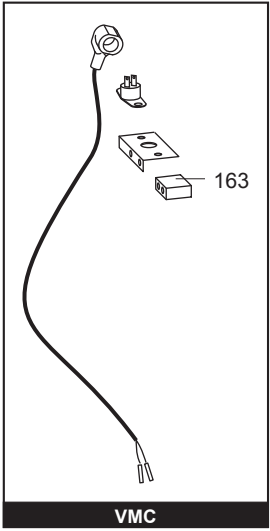
R8216480-03 - 30/05/2012

MICROGENUS

Domestic Gas Boilers

1	535206	MICROGENUS 23 MI GN (F)	02-1999	03-2001
1	535207	MICROGENUS 23 MI BP (F)	02-1999	03-2001
1	535872	MICROGENUS 24 MI GN (F)	10-2001	06-2006
1	535873	MICROGENUS 24 MI BP (F)	10-2001	11-2004
2	535260	MICROGENUS 23 MI VMC GN (F)	03-1999	12-2004
3	535208	MICROGENUS 24 MFFI GN (F)	02-1999	12-2004
3	535209	MICROGENUS 24 MFFI BP (F)	02-1999	11-2004
4	535703	MICROGENUS 28 MI GN (F)	12-2000	12-2004
4	535704	MICROGENUS 28 MI BP (F)	12-2000	11-2004
5	535705	MICROGENUS 28 MFFI GN (F)	12-2000	12-2004
5	535706	MICROGENUS 28 MFFI BP (F)	12-2000	11-2004

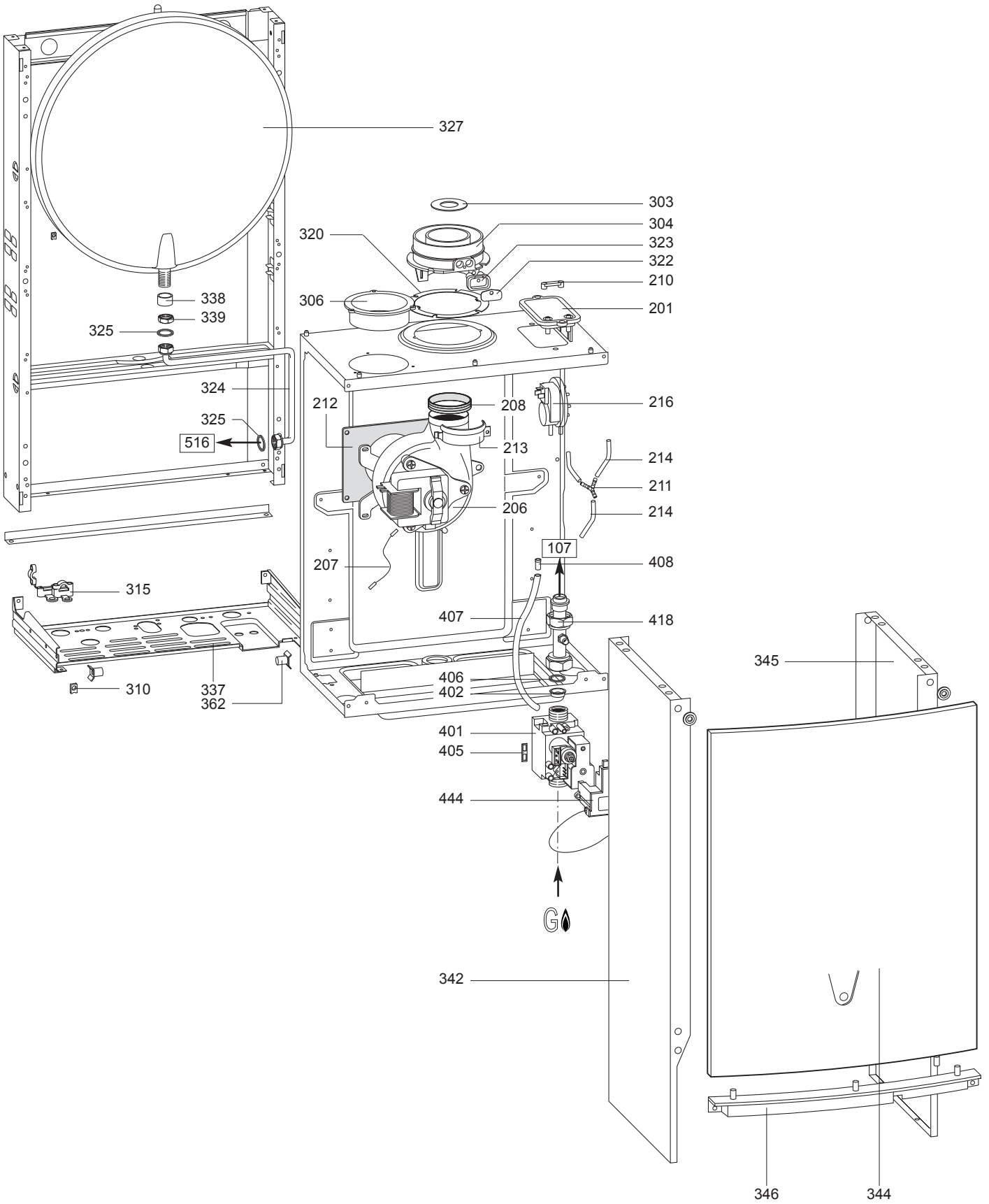
Col	Reference	Model type	Begin	End
-----	-----------	------------	-------	-----



200
300
400

MICROGENUS

Domestic Gas Boilers



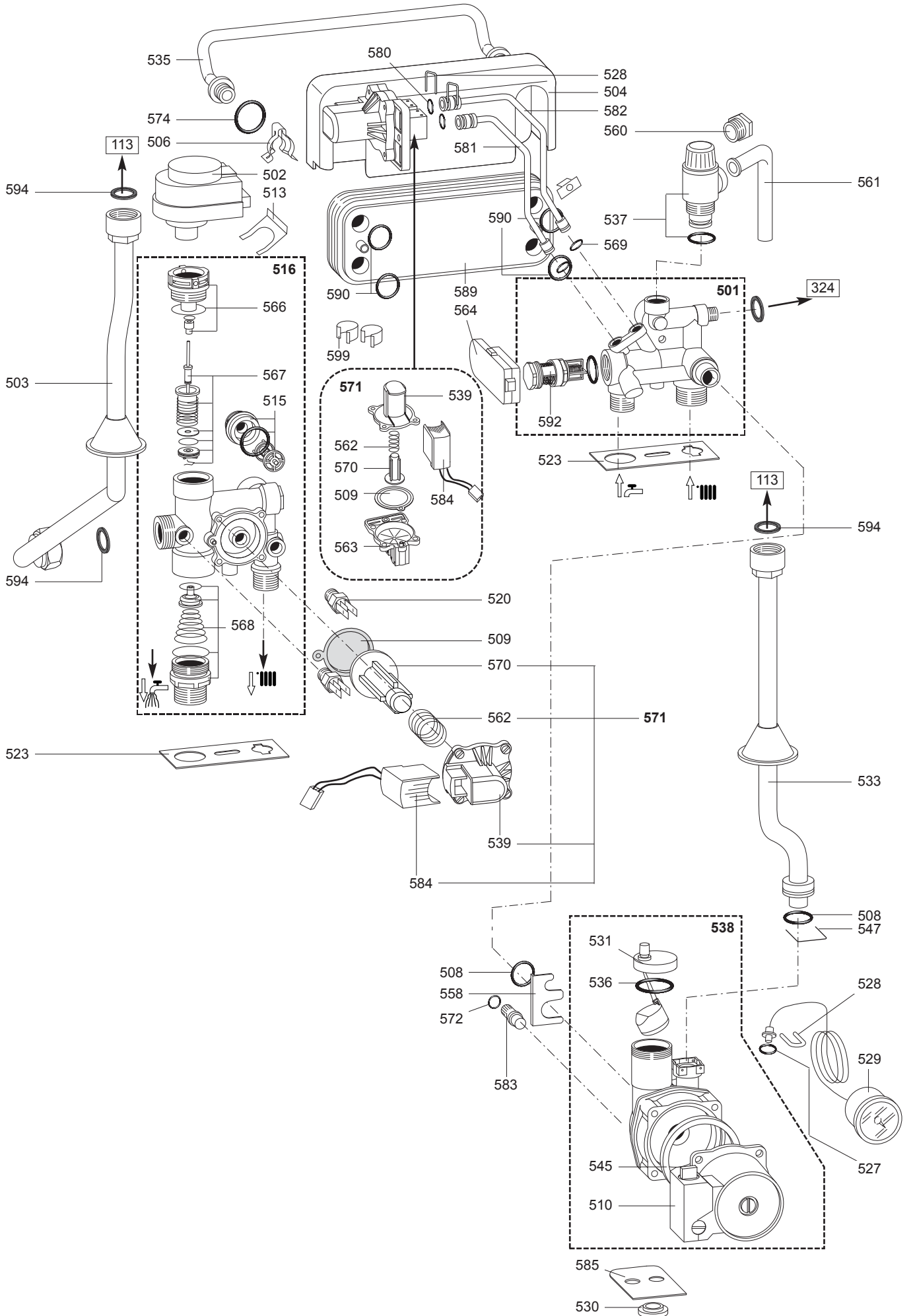
MICROGENUS 23 & 24 MI
 MICROGENUS 23 MI VMC
 MICROGENUS 24 MFFT
 MICROGENUS 28 MI
 MICROGENUS 28 MFFT

31

Description	Manf. Pt. N	Type																		
			1	2	3	4	5	6	7	8	9	10	11	12	13	14	15	16	17	18
0200 FAN ASSEMBLY																				
0201 SUPPORT PLATE	997203					•		•												
0206 FAN	998894																			
FAN	999397					•														
0207 EARTH CABLE (FAN)	65101271																		09/04	
EARTH CABLE (FAN)	65102263					•														
EARTH CABLE (FAN)	999925																			08/04
0208 GASKET (FAN)	65100707					•		•												
0210 AIR INTAKE COVER	573329					•		•												
0211 Y PIECE (AIR PRESSURE)	573327					•		•												
0212 PANEL (INSULATION - FAN)	999135					•		•												
0213 FIXING CLAMP (FAN)	998566					•		•												
0214 COMPENSATION TUBE	573576					•														
0216 AIR PRESSURE SWITCH 75 Pa	571651-01																			
AIR PRESSURE SWITCH 55 Pa	998484-01					•														
0300 CHASSIS-FRONT CASE																				
0303 RESTRICTOR (D=41)	995315							•												
RESTRICTOR (D=43)	999980																			
0304 FLUE (EXHAUST MANIFOLD / HEADER)	999561							•												
0306 PLUG (AIR INTAKE)	998595							•												
0310 SPRING (FASTENING)	570717					•	•	•	•	•										
0315 CABLE HOLDER	998580					•	•	•	•	•										
0320 GASKET (FLUE COLLAR)	998637							•												
0322 COVER (FLUE TEST POINT)	998565							•												
0323 GASKET (FLUE TEST POINT)	998636							•												
0324 PIPE (EXPANSION VESSEL)	999102					•	•	•	•	•										
0325 GASKET 3/8	573521					•	•	•	•	•										
0327 EXPANSION VESSEL	998616					•	•	•	•	•										
0338 BUSH (EXPANSION VESSEL)	998776					•	•	•	•	•										
0339 3/8 LOCK NUT	998581					•	•	•	•	•										
0342 CASE PANEL (L.H. SIDE)	65102558					•	•		•											
CASE PANEL (L.H. SIDE)	998477																			08/04
CASE PANEL (L.H. SIDE)	998477							•												
0344 PANEL (FRONT CASE)	995343					•	•	•	•	•										
0345 CASE PANEL (R.H. SIDE)	65102557					•	•		•											
CASE PANEL (R.H. SIDE)	998476							•												
0346 FRONT PANEL CROSSBAR	991944					•	•	•	•	•										
0362 PIVOT	995492					•	•	•		•										
0400 GAS SECTION																				
0401 GAS VALVE	997089					•	•	•	•	•										
0402 VALVE GAS DIAPHRAGM	999167							•												08/04
VALVE GAS DIAPHRAGM	999167					•	•													
VALVE GAS DIAPHRAGM D=4.9	999974							•												09/04
0405 GASKET (SPARK GENERATOR)	574279					•	•	•	•	•										
0406 GASKET 3/4	573520					•		•	•	•										
0407 COMPENSATION TUBE	573576							•												
0408 RIVET	573325							•												
0418 PIPE (GAS INLET)	999622					•	•	•	•	•										
0444 SPARK GENERATOR (KIT)	65100514					•	•	•	•	•										

MICROGENUS

Domestic Gas Boilers



LIST OF THE ABBREVIATIONS

HW	: Hot water.
CW	: Cold water.
C	: Ceramic resistance (normal heating).
Ca	: Ceramic resistance (accelerated heating)
TP	: Immersion heater.
1F	: With fittings.
2F	: Without fittings.
3F	: With fittings and another outlet connection.
AMI	: With mixing valve.
SMI	: Without mixing valve.
PUISS	: Power of th appliance.
PN	: Appliance with normal pression.
LP	: Appliance with low pression.
PV	: Appliance with variable power.
PF	: Appliance with fixed power.

IDENTIFICATION PLATE

SERIAL NUMBER

10 Characters :	04 05 125 011		
		Sequential number	
		Manufacturing day	
		Year of manufacture	
11 Characters :	1 95 065004 - 31		
Month of manufacture :		Technical number of the appliance	
from 1 to 9 → Jan. to Sep.,		Sequential number	
O → Oct., N → Nov.,		Year of manufacture	
D → Dec.			
19 Characters :	08 05 0013199 900640031		
Year of manufacture		Product reference	
Month of manufacture		Sequential number	
20 Characters :	3675007 XX 2 07 070 00315		
Product reference		Sequential number	
Millenium of manufacture		Manufacturing day	
		Year of manufacture	
21 Characters :	3675007 XX 07 070 0000315		
Product reference		Sequential number	
Year of manufacture		Manufacturing day	