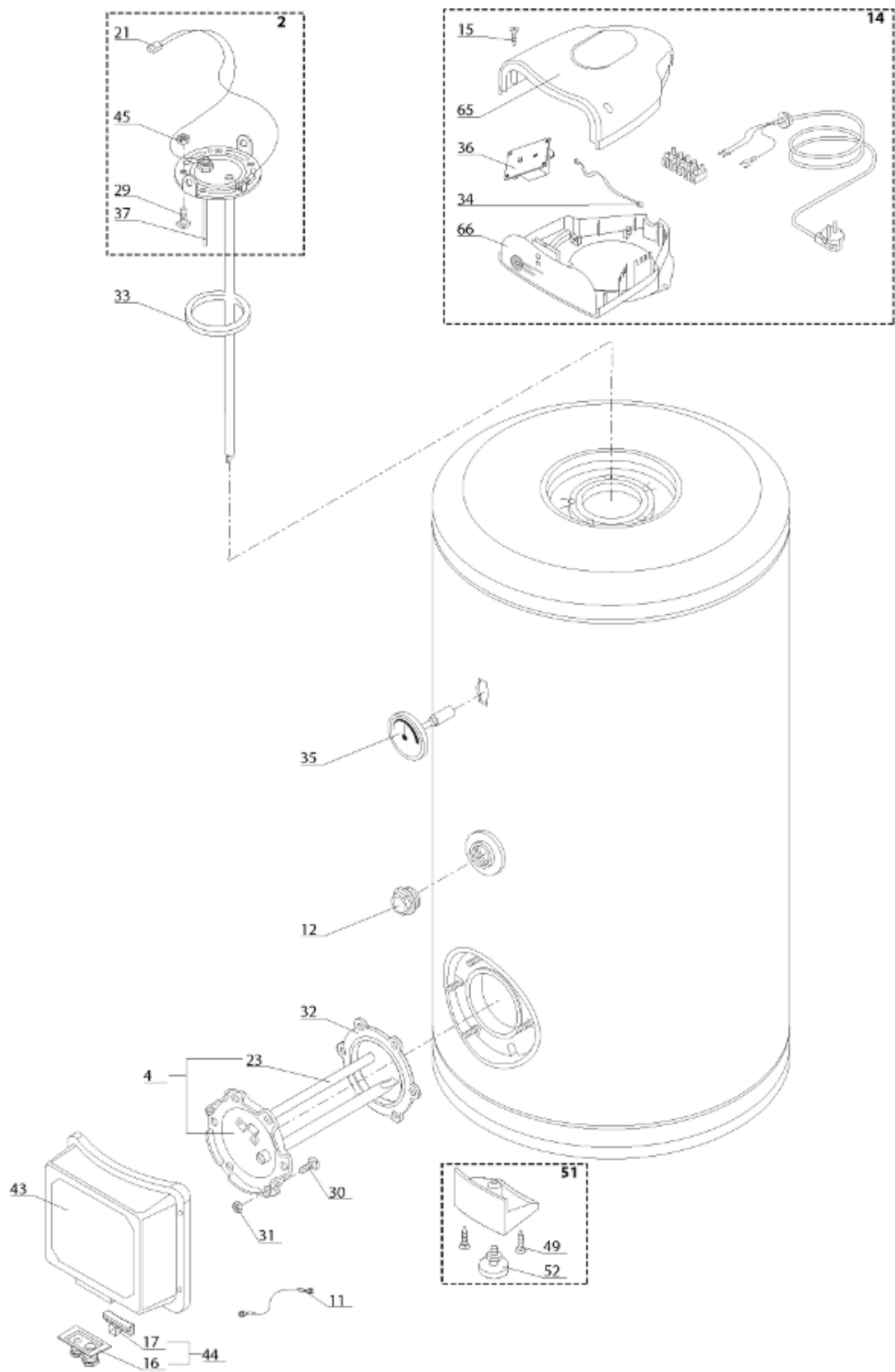




Pièces de rechange

21/03/2024

| | |
|----------------|-----------------------------------|
| <i>Produit</i> | 3070035 - STYX BS 1 S 500 PROTECH |
| <i>Modèle</i> | BS |
| <i>Marque</i> | STYX |
| <i>Date</i> | 10/07/2013 |



| Table | | BS STYX | | | | | | | |
|-------|-----------|---------|---|--------------|------------|----------|-------------------|--------------------------|--|
| Rep. | Référence | ALIAS | Désignation | Remplacé par | Date début | Date fin | Multiple de vente | Tarif Public Unitaire HT | |
| 2 | 60001124 | | EMBASE 6 TROUS COMPLETE + BOUGIE | | 07/08 | 07/09 | 1 | € 144,40 | |
| 2 | 60001637 | | EMBASE 6 TROUS COMPLETE + BOUGIE | | 07/09 | | 1 | € 96,00 | |
| 4 | 923189 | | EMBASE + ANODE | | | | 1 | € 185,10 | |
| 11 | 60001115 | | CABLAGE DE MASSE | | 07/08 | | 1 | € 4,57 | |
| 12 | 61310637 | | BOUCHON + JOINT | | | | 1 | € 14,06 | |
| 14 | 925355 | | BOITIER ELECTRIQUE | | | | 1 | € 105,11 | |
| 15 | 918036 | | VIS 3,9-19 | | | | 1 | € 3,30 | |
| 16 | 926071 | | SUPPORT PRESSE ETOUPE MONTE | | | | 1 | € 31,86 | |
| 17 | 926303 | | SUPPORT | | | | 1 | € 4,01 | |
| 21 | 60000344 | | CABLAGE ELECTRODE | | 02/08 | | 1 | € 9,08 | |
| 23 | 993312-01 | | ANODE D:21,3 L:390 M5-M8 | | 07/08 | | 1 | € 17,78 | |
| 29 | 60000681 | | VIS DE FIXATION EMBASE M 8-14 (6 ST.) | 61005231 | 07/09 | | 10 | € 1,73 | |
| 29 | 918061 | | VIS M 10-32 TETE CARREE | | 07/08 | 07/09 | 1 | € 7,05 | |
| 30 | 918061 | | VIS M 10-32 TETE CARREE | | | | 1 | € 7,05 | |
| 31 | 918041 | | ECROU M 10 | | | | 1 | € 3,84 | |
| 32 | 924002 | | JOINT D'EMBASE D170X105X5 TK150 6 TROUS | 600003319 | | | 1 | € 17,46 | |
| 33 | 60071829 | | JOINT BRIDE D:121.3-105-7.1 | | 07/09 | | 1 | € 3,78 | |
| 33 | 924002 | | JOINT D'EMBASE D170X105X5 TK150 6 TROUS | 600003319 | 07/08 | 07/09 | 1 | € 17,46 | |
| 34 | 60000475 | | CABLAGE ELECTRODE > C.I. | | 02/08 | | 1 | € 9,77 | |
| 35 | 65101326 | | THERMOMETRE | 60001535 | | | 1 | € 73,06 | |
| 36 | 925348-01 | | CIRCUIT IMPRIME ANODE / ELECTR. | | | | 1 | € 124,34 | |
| 37 | 340406 | | ANODE PROTECH INT LG95 | | | | 1 | € 57,25 | |
| 43 | 926302 | | CAPOT | | | | 1 | € 19,44 | |
| 44 | 996644 | | KIT PASSE-CABLES | | | | 1 | € 33,60 | |
| 45 | 918041 | | ECROU M 10 | | 07/08 | 07/09 | 1 | € 3,84 | |
| 49 | 61005324 | | VIS AUTOPERCEUSE D: 4.2-19 | | | | 5 | € 1,18 | |
| 51 | 926168 | | PIED REGLABLE COMPLET | | | | 1 | € 11,71 | |
| 52 | 918063 | | PIED REGLABLE M10X40 | | | | 1 | € 7,13 | |
| 65 | 926299 | | COUVERCLE BOITIER | 60000956 | | | 1 | € 16,87 | |
| 66 | 60000711 | | FOND DE BOITIER | | | | 1 | € 36,99 | |