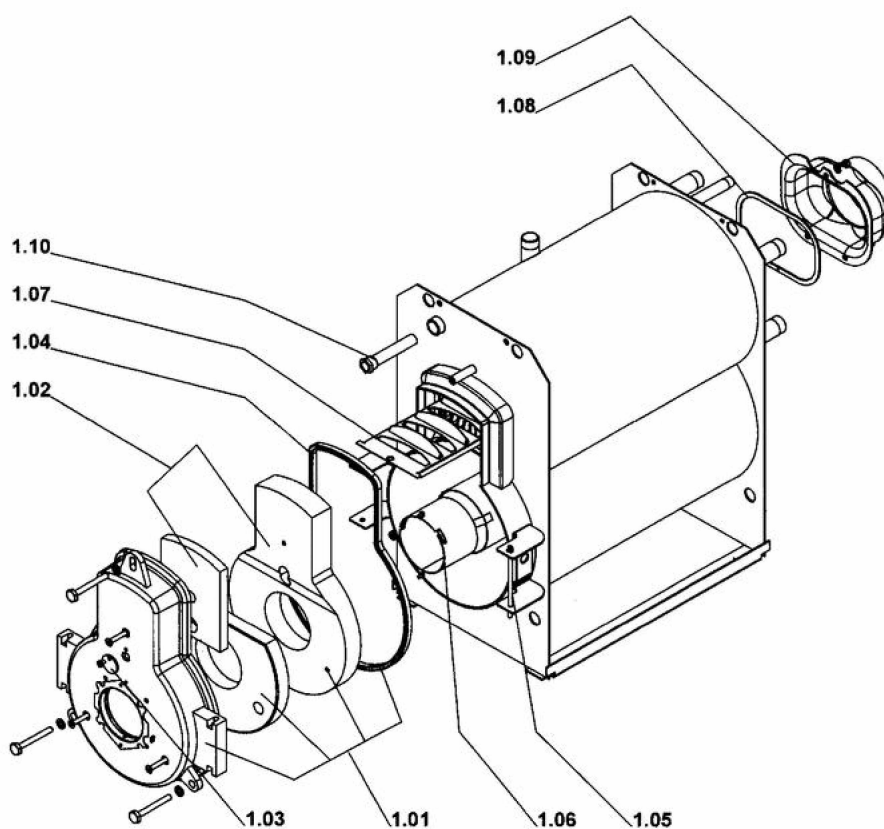


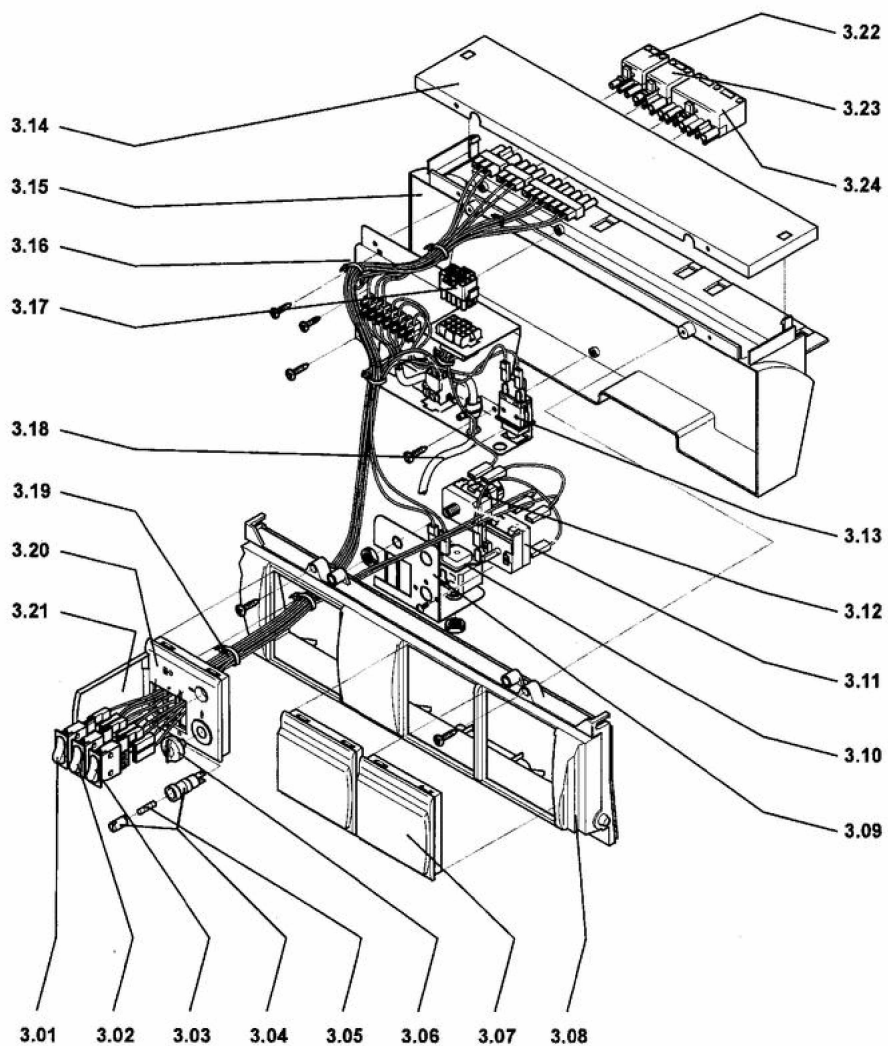
Domomat® NTUx / NTx 21 – 37



NTX avant 1998

| Réf. | Référenc | Description | Qté | Tarif | Substitut | Tarif Sub. | Remarques |
|------|----------|---------------------------|-----|-------|-----------|------------|---|
| 1.01 | 0278840 | PORTE FOYERE ZSB NTUX | 1 | / | | |  |
| 1.01 | 290056 | PORTE FOYERE | 1 | | 0290056 | 330,00 € | |
| 1.01 | 0280150 | PORTE BRULEUR NTUX | 1 | / | | |  |
| 1.02 | 287825 | ISOL.PORTE FOYERE | 1 | | 0287825 | 85,80 € | |
| 1.04 | 380213 | JOINT PORTE | 1 | | 7801490 | | |
| 1.05 | 380216 | TIGE CHARNIERE METALLIQUE | 1 | | 0080216 | 6,85 € | |
| 1.06 | 0303762 | TUBE RECICUL.D.130/D.118 | 1 | / | | |  |
| 1.07 | 290059 | TURBULATEUR NTX 37 | 1 | | 0290059 | |  |
| 1.07 | 290058 | TURBULATEUR CA 35/150 | 1 | | 0290058 | |  |
| 1.08 | 0290091 | JOINT | 1 | | 7840991 | | |
| 1.09 | 0290114 | BOITE A FUMEE | 1 | / | | |  |
| 1.10 | 382717 | DOIGT GANT DOMOTHERM | 1 | | 0082717 | |  |

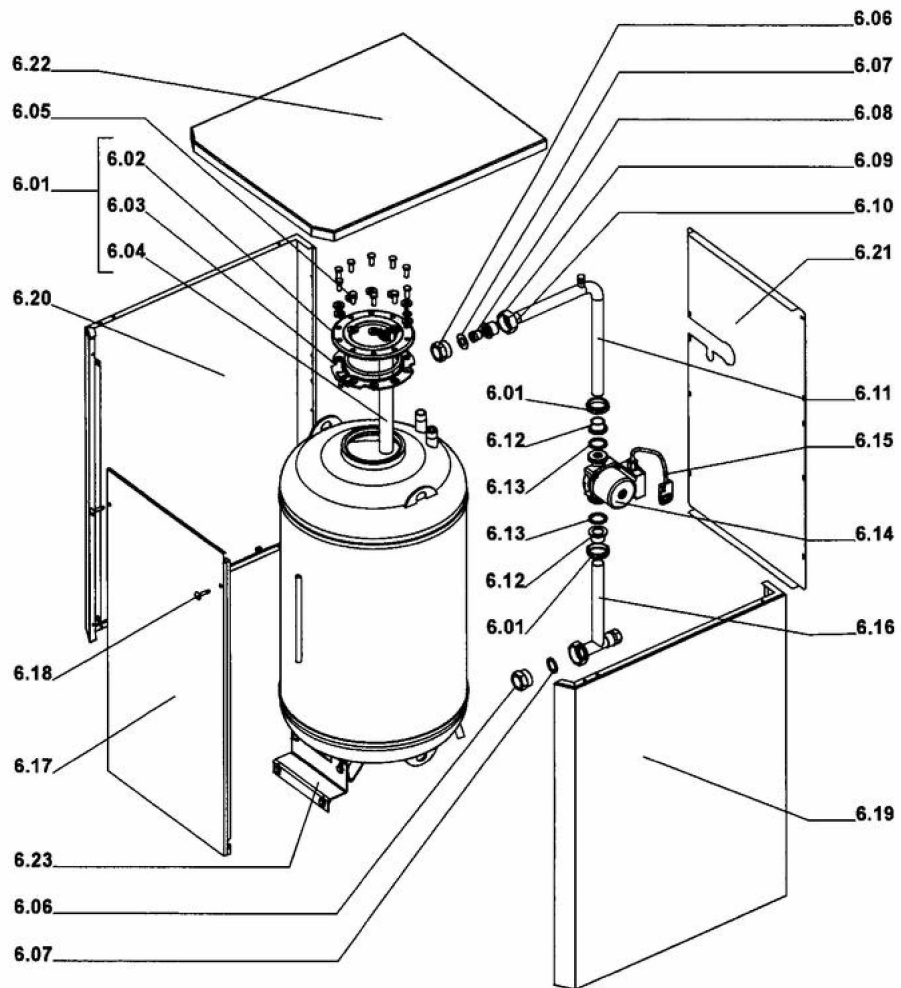
Domomat® NTx / NTUx 21 – 37 06.97



NTX avant 1998

| Réf. | Référenc | Description | Qté | Tarif | Substitut | Tarif Sub. | Remarques |
|------|----------|------------------------------|-----|-------|-----------|------------|-----------|
| 3.01 | 382505 | INTERRUPTEUR M.A | 1 | | 7797915 | | |
| 3.02 | 382506 | INTERRUPTEUR ETE-HIVER | 1 | | 7797916 | | |
| 3.03 | 290078 | VOYANT ROUGE / VERT | 1 | | 0290078 | 16,10 € | |
| 3.04 | 284842 | BOITIER FUSIBLE TABL.BORD | 1 | | 0284842 | | |
| 3.05 | 289181 | FUSIBLES 10AT (X10) | 1 | | 0289181 | 21,50 € | |
| 3.06 | 384996 | BOUTON AQUASTAT REGLAGE | 1 | | 0284996 | 26,70 € | |
| 3.07 | 386484 | CACHE TB | 1 | | 0286484 | | ⊘ |
| 3.08 | 0288016 | TABLEAU KD | 1 | / | | | ⊘ |
| 3.09 | 0288023 | TOLE DE MONTAGE | 1 | / | | | ⊘ |
| 3.10 | 382905 | AQUASTAT STW KT | 1 | | 0082905 | | |
| 3.11 | 384995 | THERMOSTAT DE REGLAGE 83°C | 1 | | 7798081 | | |
| 3.12 | 382906 | AQUASTAT SECU. STB KT | 1 | | 0082906 | | ⊘ |
| 3.12 | 382182 | THERMOSTAT DE SECURITE 110°C | 1 | | 7797913 | | |
| 3.13 | 284997 | BOUTON STB | 1 | | 0284997 | | ⊘ |
| 3.14 | 0288018 | CAPOT SUPERIEUR TABLEAU | 1 | / | | | ⊘ |
| 3.15 | 0288017 | PANNEAU ARRIERE TABLEAU | 1 | / | | | ⊘ |
| 3.16 | 0288024 | CONSOLE DE MONTAGE | 1 | / | | | ⊘ |
| 3.17 | 0288014 | PONT | 1 | / | | | ⊘ |
| 3.18 | 0290083 | TUBE RACCORD POUR BRULEUR | 1 | / | | | ⊘ |
| 3.19 | 0290080 | FAISCEAU DE CABLAGE | 1 | / | | | ⊘ |
| 3.19 | 0290082 | CIRCUIT ELECTRIQUE | 1 | / | | | ⊘ |
| 3.19 | 0290081 | FAISCEAU DE CABLAGE | 1 | / | | | ⊘ |
| 3.20 | 0290079 | CARCASSE TABLEAU | 1 | / | | | ⊘ |
| 3.21 | 0285856 | PORTILLON | 1 | / | | | ⊘ |
| 3.22 | 384459 | CONNECTEUR WIELAND 3 PL. | 1 | | 0287420 | 9,40 € | |
| 3.23 | 286393 | CONNECTEUR FEMELLE 3 PL. | 1 | | 95317379 | 11,70 € | |
| 3.24 | 0291556 | CONNECTEUR | 1 | / | | | ⊘ |

DLH



NTX avant 1998

| Réf. | Référenc | Description | Qté | Tarif | Substitut | Tarif Sub. | Remarques |
|------|----------|------------------------------|-----|-------|-----------|------------|-----------|
| | 0279523 | CIRCUIT IMPRIME | 1 | / | | | ⊘ |
| | 381514 | THERMOSTAT MAXI TW | 1 | | 0081514 | | ⊘ |
| | 381526 | INTER. ETE/HIVER | 1 | | 0081526 | | ⊘ |
| | 381527 | RELAIS POUR 0053 | 1 | | 0282349 | | ⊘ |
| 6.01 | 383403 | TRAPPE VISITE DLS A.M | 1 | | 0083403 | | ⊘ |
| 6.02 | 380633 | TAMPON EMAILLE | 1 | | 7800972 | | ⊘ |
| 6.03 | 380512 | JOINT TRAPPE BALLON | 1 | | 7795757 | | |
| 6.04 | 383404 | ANODE D.33 LG.310MM | 1 | | 0083404 | | ⊘ |
| 6.05 | 0285835 | VIS M12X20 | 1 | / | | | ⊘ |
| 6.06 | 0279500 | PIECE FILETEE | 1 | / | | | ⊘ |
| 6.07 | 0279502 | JOINT 1,5X38,5/19 NOVA | 1 | / | | | ⊘ |
| 6.07 | 0054915 | JOINT 2X 38/27 | 1 | / | | | ⊘ |
| 6.08 | 285038 | CLAPET ANTI-THERMOSIPHON 42C | 1 | | 0285038 | | ⊘ |
| 6.09 | 0279446 | Einlegteil 38,5 | 1 | / | | | ⊘ |
| 6.10 | 0279501 | Ü-MUTTER 4374-G1.1/2 | 1 | / | | | ⊘ |
| 6.11 | 0290252 | TUBULURE SUPERIEURE | 1 | / | | | ⊘ |
| 6.12 | 0279447 | ACCESSOIRES D 44,5 | 1 | / | | | ⊘ |
| 6.13 | 0054906 | JOINT 2X 44/32NOVA | 1 | / | | | ⊘ |
| 6.14 | 0284523 | CIRCULATEUR UPS25-40/130 | 1 | | 7775798 | | |
| 6.15 | 0290254 | TOLE DE RACCORDEMENT | 1 | / | | | ⊘ |
| 6.16 | 290253 | TUBE DEPART INFERIEUR | 1 | | 0290253 | | ⊘ |
| 6.17 | 0290255 | ISOLATION PLAQUE AVANT | 1 | / | | | ⊘ |
| 6.18 | 388089 | VERROU PLASTIC CAPOT TTES C | 1 | | 0288089 | | ⊘ |