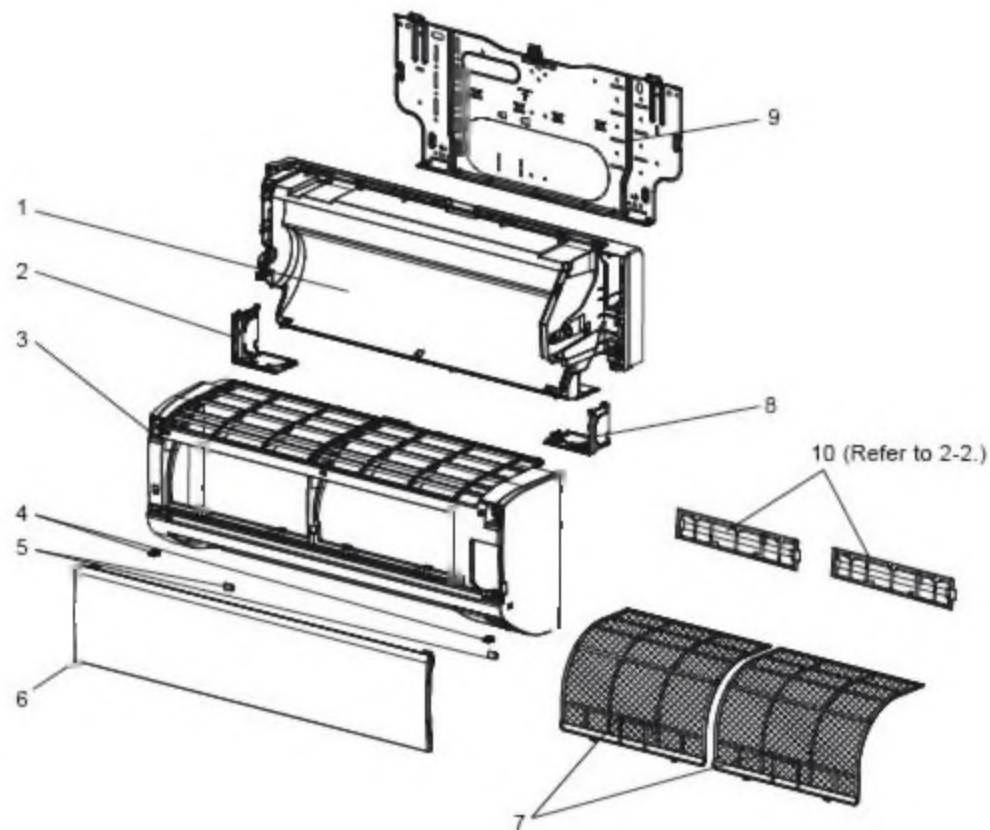


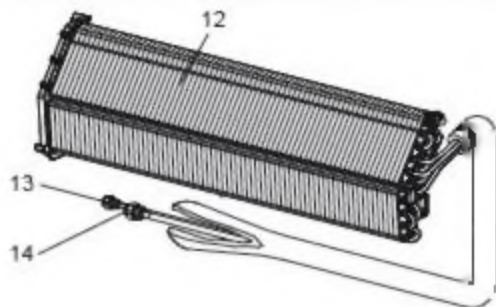
**MSZ-HJ25VA MSZ-HJ35VA MSZ-HJ50VA**  
**1-5, INDOOR UNIT STRUCTURAL PARTS**



**1-6, ACCESSORY AND REMOTE CONTROLLER**



**1-7, INDOOR UNIT HEAT EXCHANGER**



MSZ-HJ25VA MSZ-HJ35VA MSZ-HJ50VA  
1-8. INDOOR UNIT ELECTRICAL PARTS AND FUNCTIONAL PARTS

