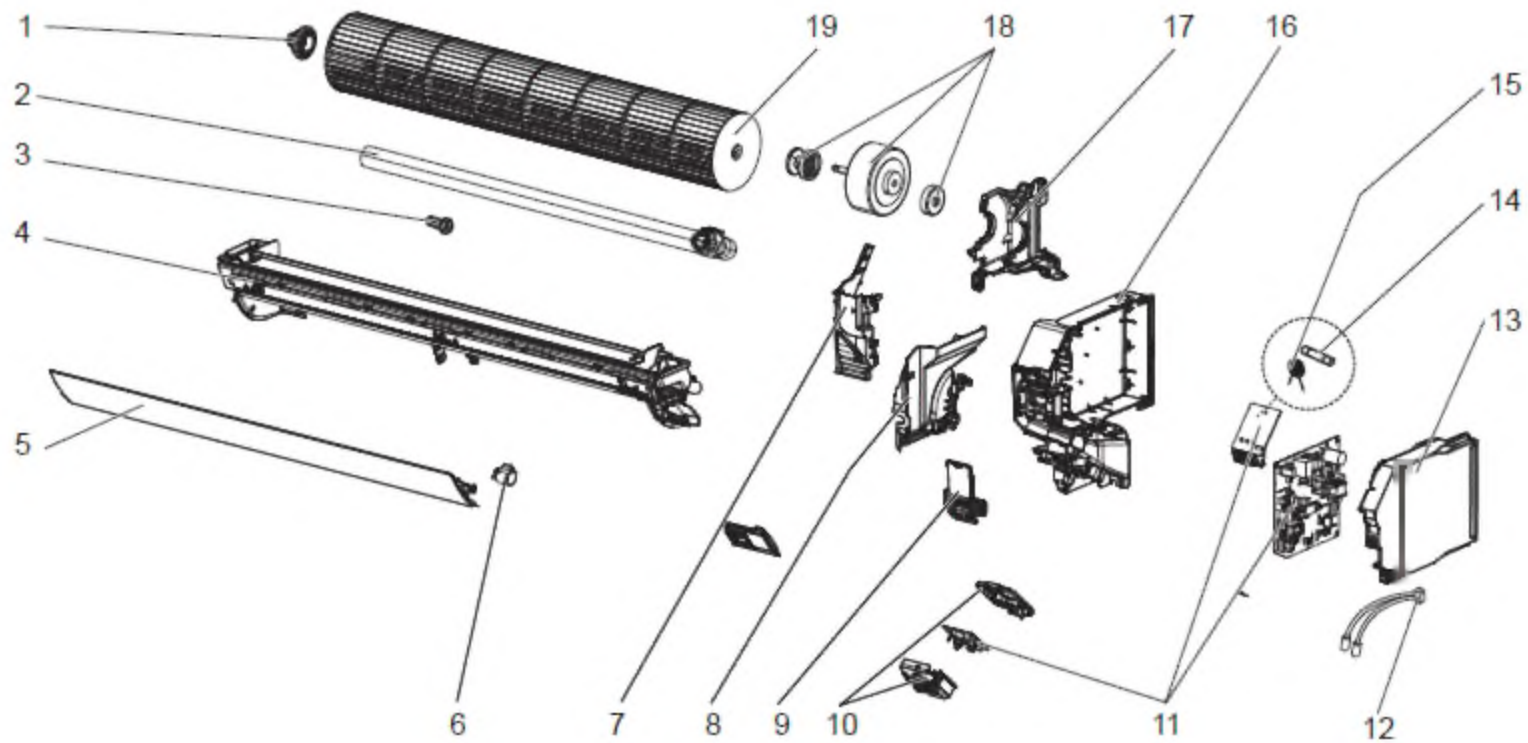
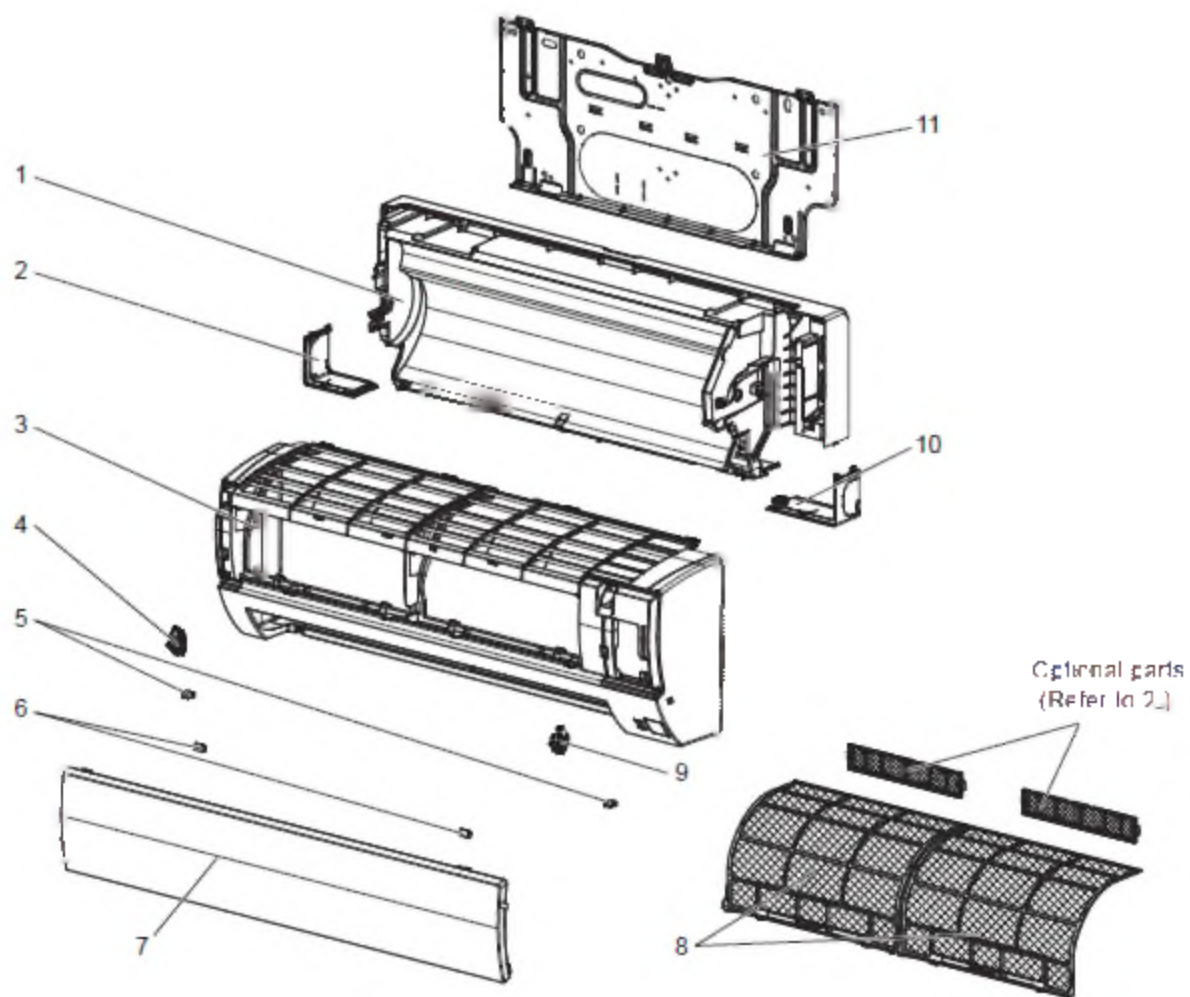


MSZ-HR25VF MSZ-HR35VF

1-4. INDOOR UNIT ELECTRICAL PARTS AND FUNCTIONAL PARTS



MSZ-HR25VF, MSZ-HR35VF
1-1. INDOOR UNIT STRUCTURAL PARTS



1-2. ACCESSORY AND REMOTE CONTROLLER **1-3. INDOOR UNIT HEAT EXCHANGER**

