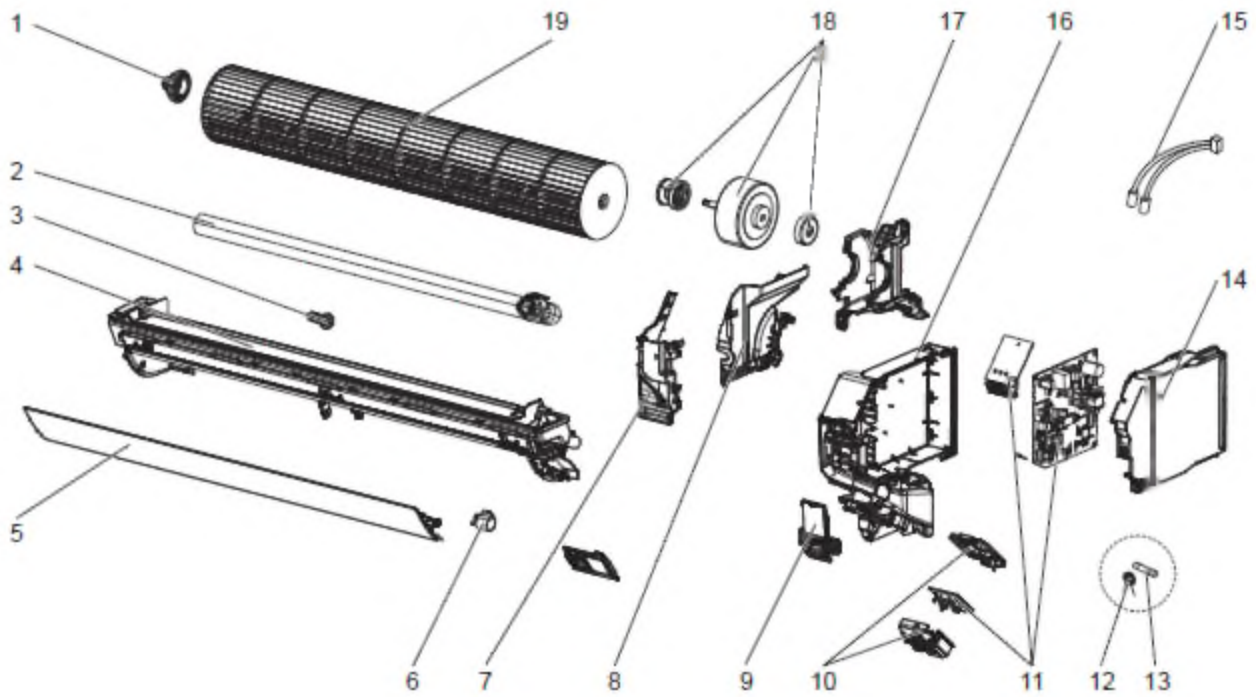
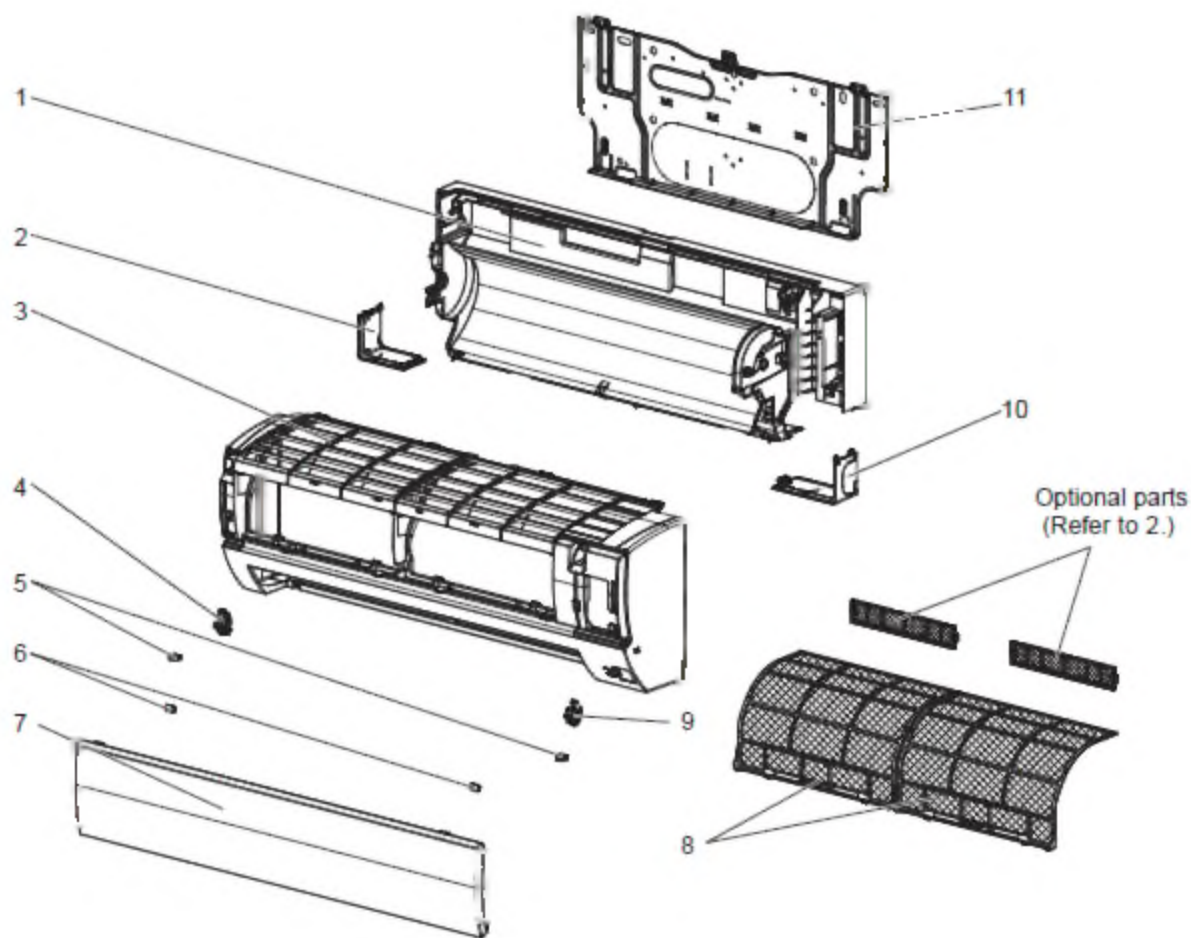


**MSZ-HR42VF MSZ-HR50VF**

**1-8. INDOOR UNIT ELECTRICAL PARTS AND FUNCTIONAL PARTS**



**MSZ-HR42VF MSZ-HR50VF**  
**1-5. INDOOR UNIT STRUCTURAL PARTS**



**1-6. ACCESSORY AND REMOTE CONTROLLER**



**1-7. INDOOR UNIT HEAT EXCHANGER**

