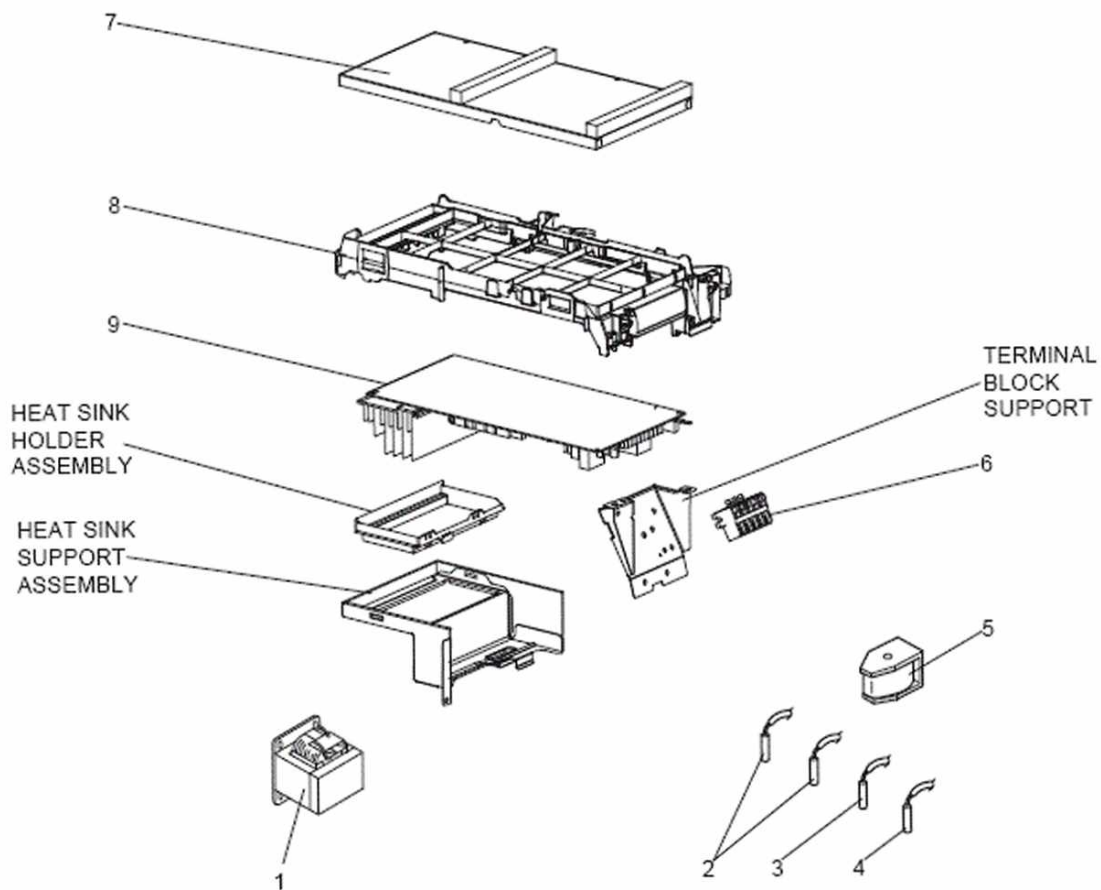


1-4. OUTDOOR UNIT ELECTRICAL PARTS



1-3. OUTDOOR UNIT STRUCTURAL PARTS AND FUNCTIONAL PARTS

