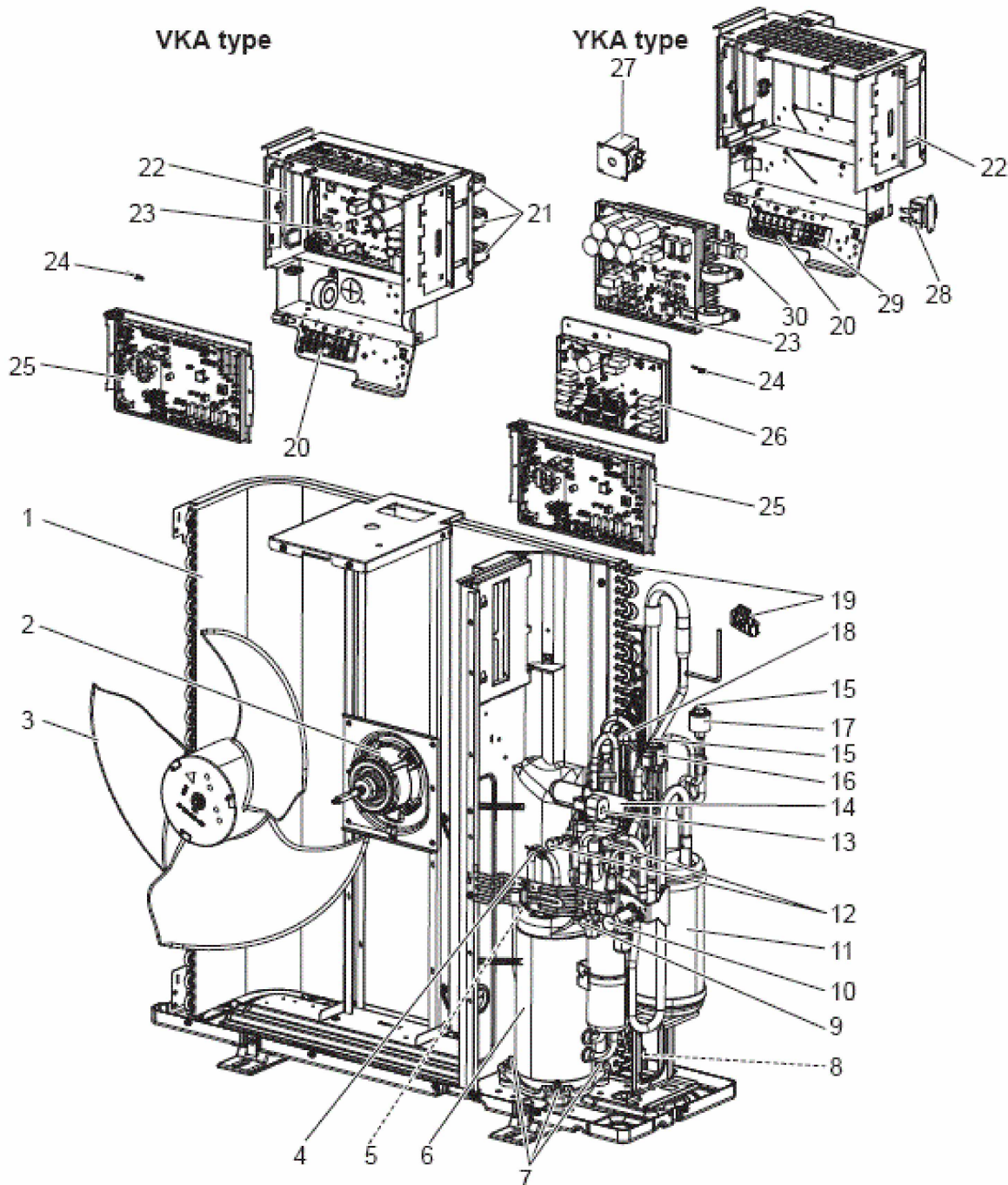


## FUNCTIONAL AND ELECTRICAL PARTS

PUHZ-P125VKA.TH  
 PUHZ-P125VKA.TH-ET  
 PUHZ-P125VKA.TH-ER  
 PUHZ-P140VKA.TH  
 PUHZ-P140VKA.TH-ET  
 PUHZ-P140VKA.TH-ER

PUHZ-P125YKA.TH  
 PUHZ-P125YKA.TH-ET  
 PUHZ-P125YKA.TH-ER  
 PUHZ-P140YKA.TH  
 PUHZ-P140YKA.TH-ET  
 PUHZ-P140YKA.TH-ER



OCB670

4

# Mitsubishi Electric Spare Parts



	Part No.	RoHS	SAP	Part Name	Specifications	Qty	Remarks	Wiring diagram symbol
1	E17 J26 630	G	317427	OUTDOOR HEAT EXCHANGER <G>		1		
2	E17 F03 301	G	317414	OUTDOOR FAN MOTOR <474785		1		
3	E17 942 501	G	317387	PROPELLER FAN <G> <472859>		1	1PC/SET	
4	E17 E34 307	G	317408	THERMISTOR(DISCHARGE) <474		1		
5	E17 E33 307	G	317401	THERMISTOR(COMP.SURF) <474808>		1		
6	E17 E33 900	G	317407	COMPR. MNB33FBDMC-L<G><47		1	MNB33FBDMC-L	
7	E12 267 506	G	286405	COMP.RUBBER SET <G>		3	3PCS/SET	
8	E17 944 307	G	317394	THERMISTOR(OUT LIQUID PIPE)	Outdoor Liquid Pipe	1		
9	E17 942 661	G	317390	STOP VALVE (LIQUID) <G><48542	2 3/8	1		
10	E17 E33 661	G	317406	STOP VALVE(GAS) <G>	5/8	1		
11	E17 J26 959	G	317429	POWER RECEIVER <G>		1		
12	E17 942 641	G	317388	CHARGE PLUG <G>		2		
13	E17 J26 490	G	317424	R.V.COIL <G>		1		
14	E17 J27 961	G	317433	4-WAY VALVE <G> <475419>		1		
15	E17 E33 640	G	317405	LINEAR EXPANSION VALVE <475204		2		
16	E17 J27 493	G	317432	LEV <G> <475057>		1		
17	E17 J26 493	G	317425	LINEAR EXPANSION VALVE CO <G>		1		
18	E17 942 646	G	317389	HIGH PRESSURE SWITCH <G>	4.14MPA	1		
19	E17 J26 307	G	317420	THERMIS(2PH PIPE/AM<G><473106>		1		
20	E17 E45 374	G	317412	TERMINAL BLOCK <G>	6P (L,N,G,S1,S2,S3)	1		
21	E17 E45 337	G	317411	REACTOR SET <G>		3		
22	ZD#BK00N051	G		ELECTRICAL BOX		1		
23	E17 E45 440	G	317413	POWER BOARD <G>		1		
24	E17 E45 307	G	317410	THERMISTOR (HEAT SINK) <G>	Heat sink	1		
25	E17 J26 450	G	317423	CONTROL PCB <G><474976>		1		

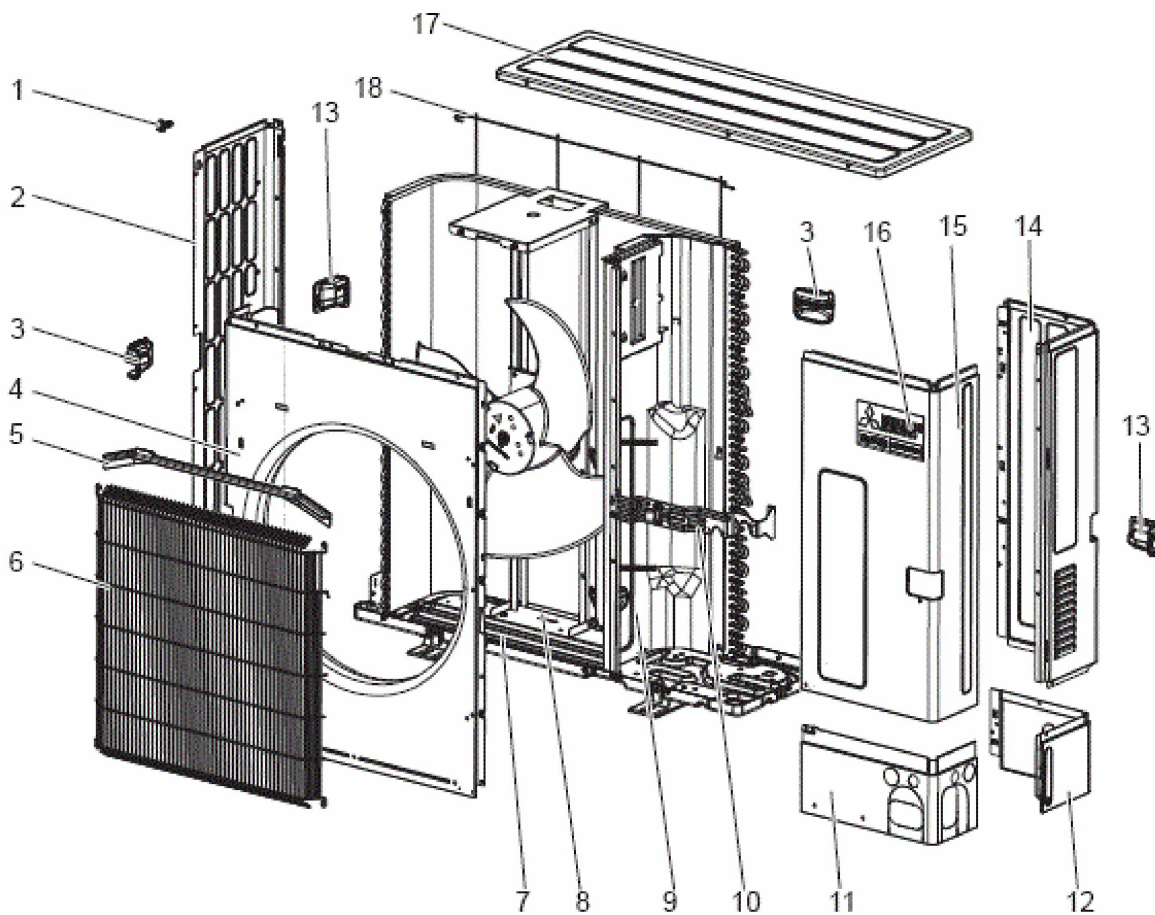
The Spare Parts Database is maintained with great care. Nonetheless, errors cannot be completely ruled out. If you notice an error, please let us know. We reserve the right to make technical changes.

## STRUCTURAL PARTS

PUHZ-P100VKA.TH  
 PUHZ-P125VKA.TH  
 PUHZ-P140VKA.TH  
 PUHZ-P100YKA.TH  
 PUHZ-P125YKA.TH  
 PUHZ-P140YKA.TH

PUHZ-P100VKA.TH-ET  
 PUHZ-P125VKA.TH-ET  
 PUHZ-P140VKA.TH-ET  
 PUHZ-P100YKA.TH-ET  
 PUHZ-P125YKA.TH-ET  
 PUHZ-P125YKA.TH-ET

PUHZ-P100VKA.TH-ER  
 PUHZ-P125VKA.TH-ER  
 PUHZ-P140VKA.TH-ER  
 PUHZ-P100YKA.TH-ER  
 PUHZ-P125YKA.TH-ER  
 PUHZ-P125YKA.TH-ER



OCB670

6

No.

The Spare Parts Database is maintained with great care. Nonetheless, errors cannot be completely ruled out. If you notice an error, please let us know. We reserve the right to make technical changes.

# Mitsubishi Electric Spare Parts



	Part No.	RoHS	SAP	Part Name	Specifications	Qty	Remarks	Wiring diagram symbol
1	E17 942 250	G	317386	F.ST SCREW <G>	(5x12)	43		
2	E17 E33 086	G	317397	SIDE PANEL L <G><474540>		1		
3	E17 942 009	G	286256	HANDLE (FRONT) <G>		2	1PC/SET	
4	E17 H93 232	G	317867	FRONT PANEL <G>		1		
5	E17 A15 531	G	286401	ICE GUARD <G>		1		
6	E17 H93 521	G	317415	FAN GRILLE <G>		1		
7	E17 E33 290	G	317398	BASE ASSY <G>		1		
8	E17 J26 515	G	317426	MOTOR SUPPORT <G>		1		
9	E17 E33 293	G	317399	SEPARATOR <G>		1		
10	ZD#RK00B378	G		STOP VALVE BED		1		
11	E17 E33 006	G	317396	COVER PANEL(FRONT) <G><472234>		1		
12	E17 J26 006	G	317416	COVER PANEL(REAR) <G>		1		
13	E17 943 009	G	286257	HANDLE (REAR) <G>		2		
14	E17 J26 085	G	317417	SIDE PANEL R <G> <474532>		1		
15	E17 J26 245	G	317418	SERVICE PANEL <G> <472232>		1		
16	ZD#DK79G044	G		LABEL (MITSUBISHI)		1		
17	E17 E33 297	G	317400	TOP PANEL <G> <472233>		1		
18	E17 E33 523	G	317404	REAR GUARD <G>		1		

The Spare Parts Database is maintained with great care. Nonetheless, errors cannot be completely ruled out. If you notice an error, please let us know. We reserve the right to make technical changes.