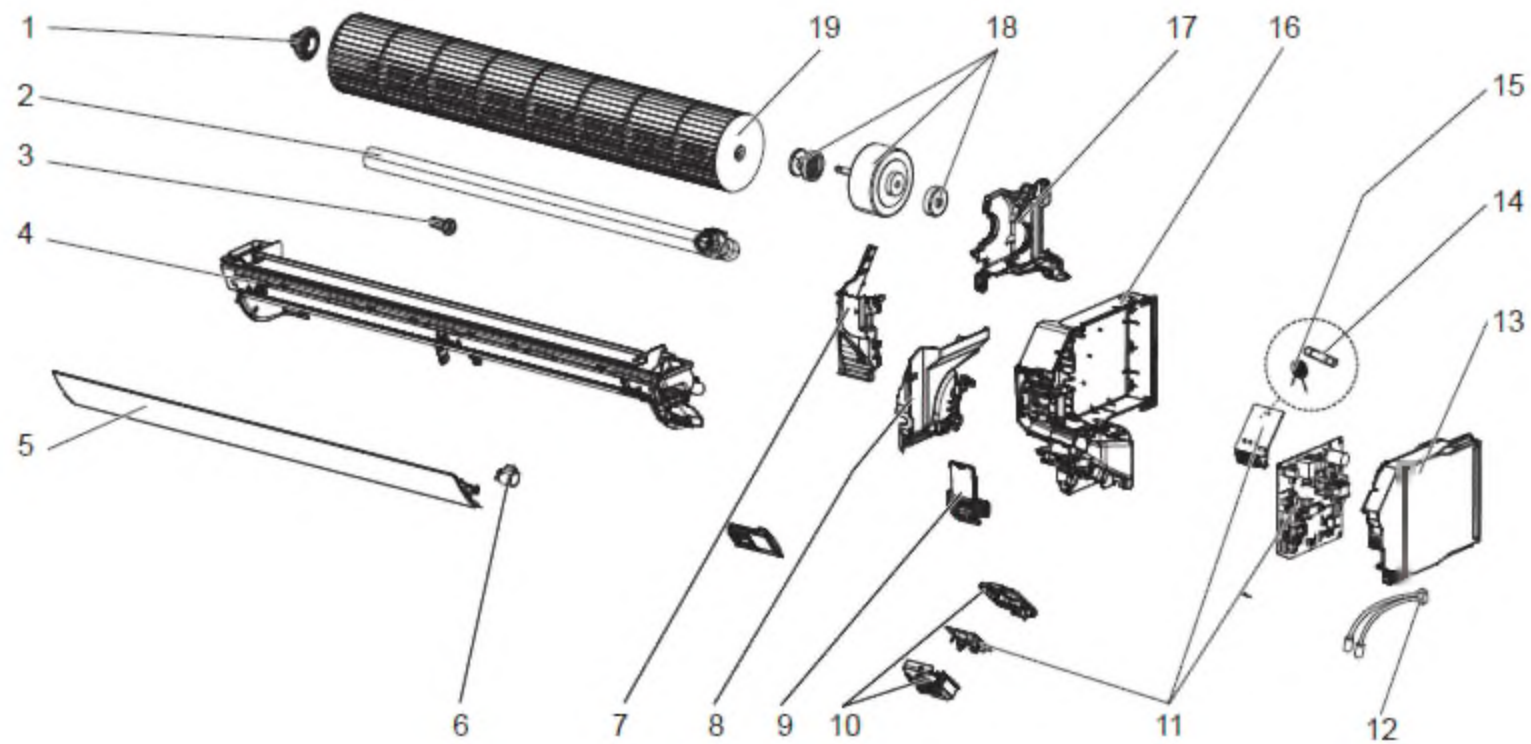
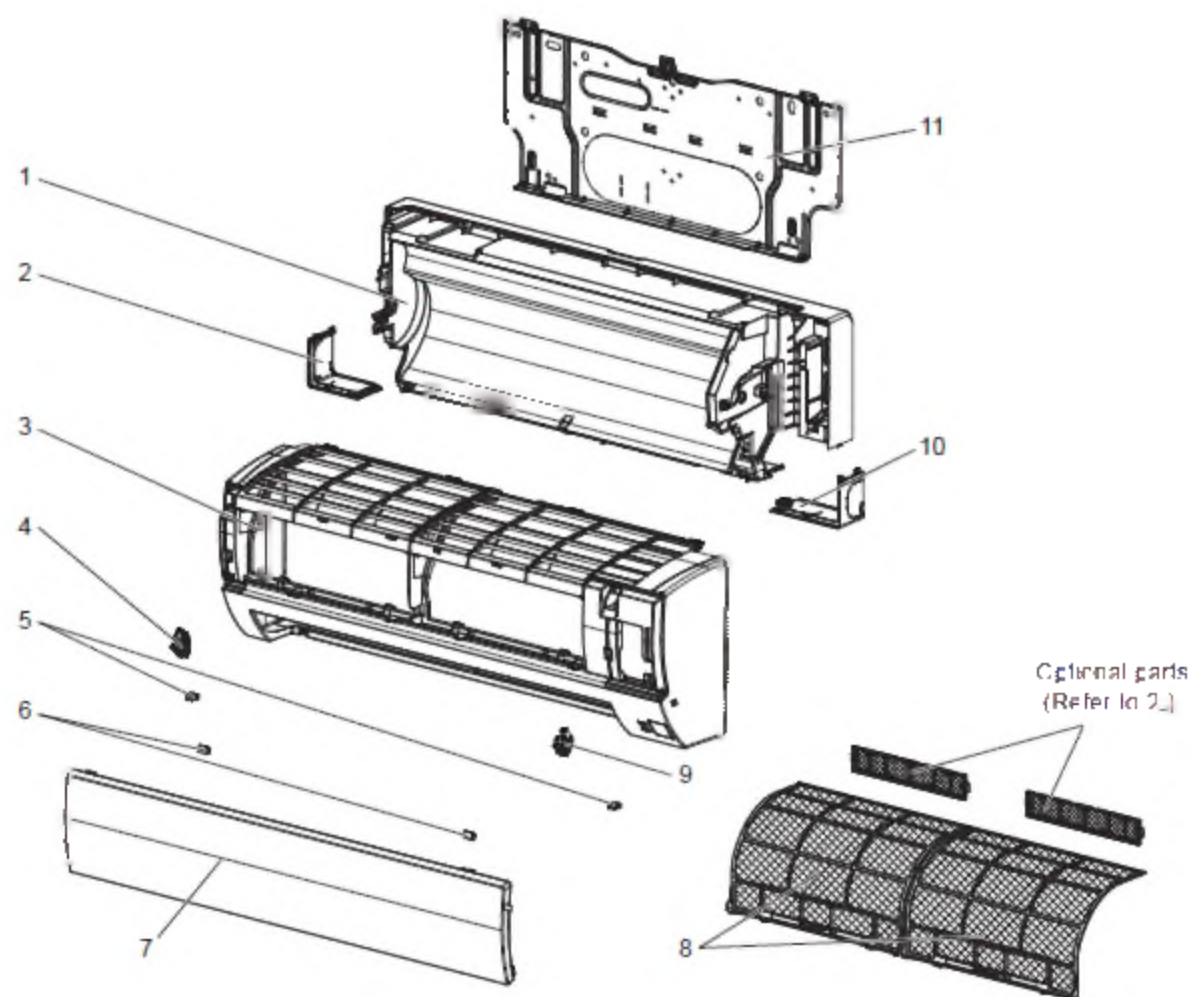


MSZ-HR25VF MSZ-HR35VF

#### 1-4. INDOOR UNIT ELECTRICAL PARTS AND FUNCTIONAL PARTS



1-1. INDOOR UNIT STRUCTURAL PARTS



1-2. ACCESSORY AND REMOTE CONTROLLER



1-3. INDOOR UNIT HEAT EXCHANGER

