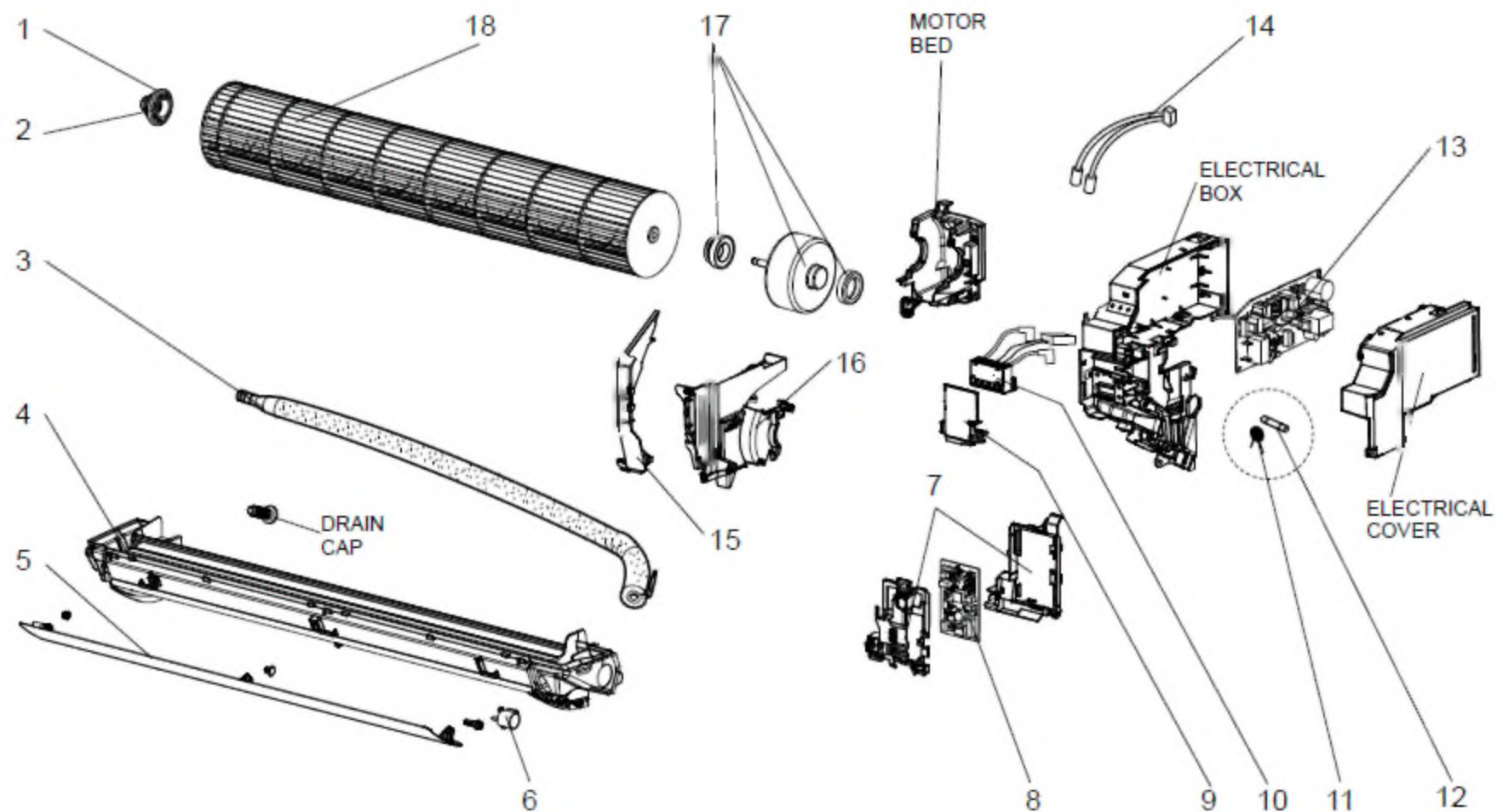
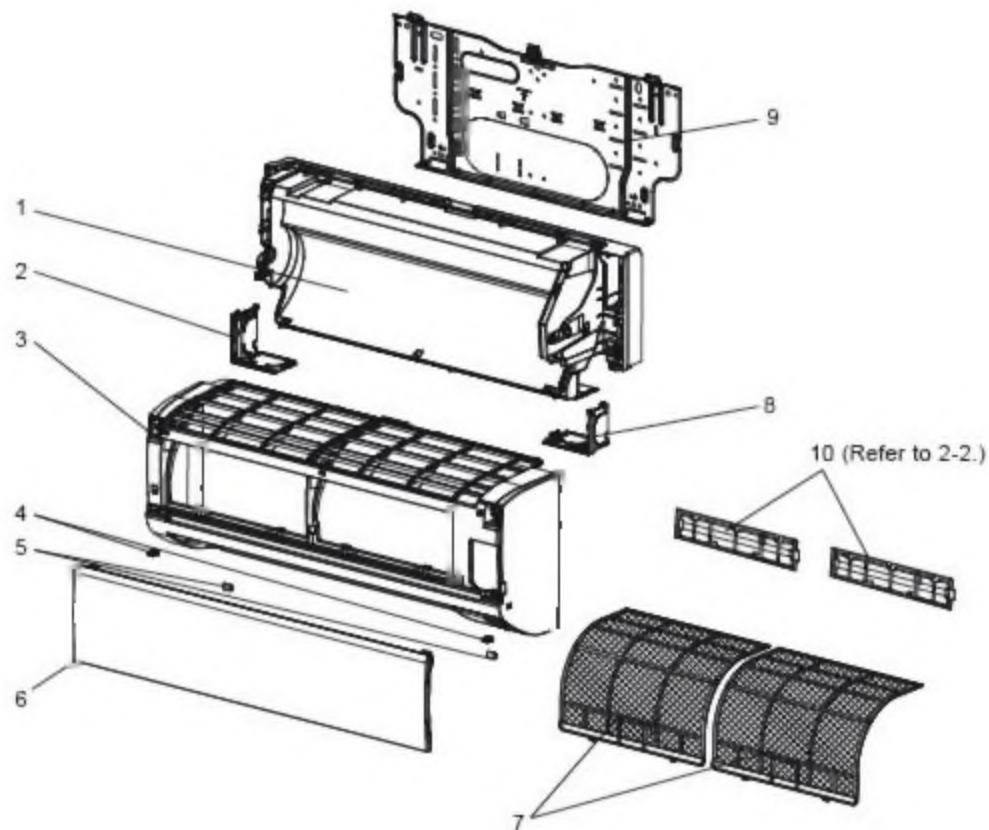


MSZ-HJ25VA MSZ-HJ35VA MSZ-HJ50VA
1-8. INDOOR UNIT ELECTRICAL PARTS AND FUNCTIONAL PARTS



MSZ-HJ25VA MSZ-HJ35VA MSZ-HJ50VA
1-5, INDOOR UNIT STRUCTURAL PARTS



1-6, ACCESSORY AND REMOTE CONTROLLER



1-7, INDOOR UNIT HEAT EXCHANGER

