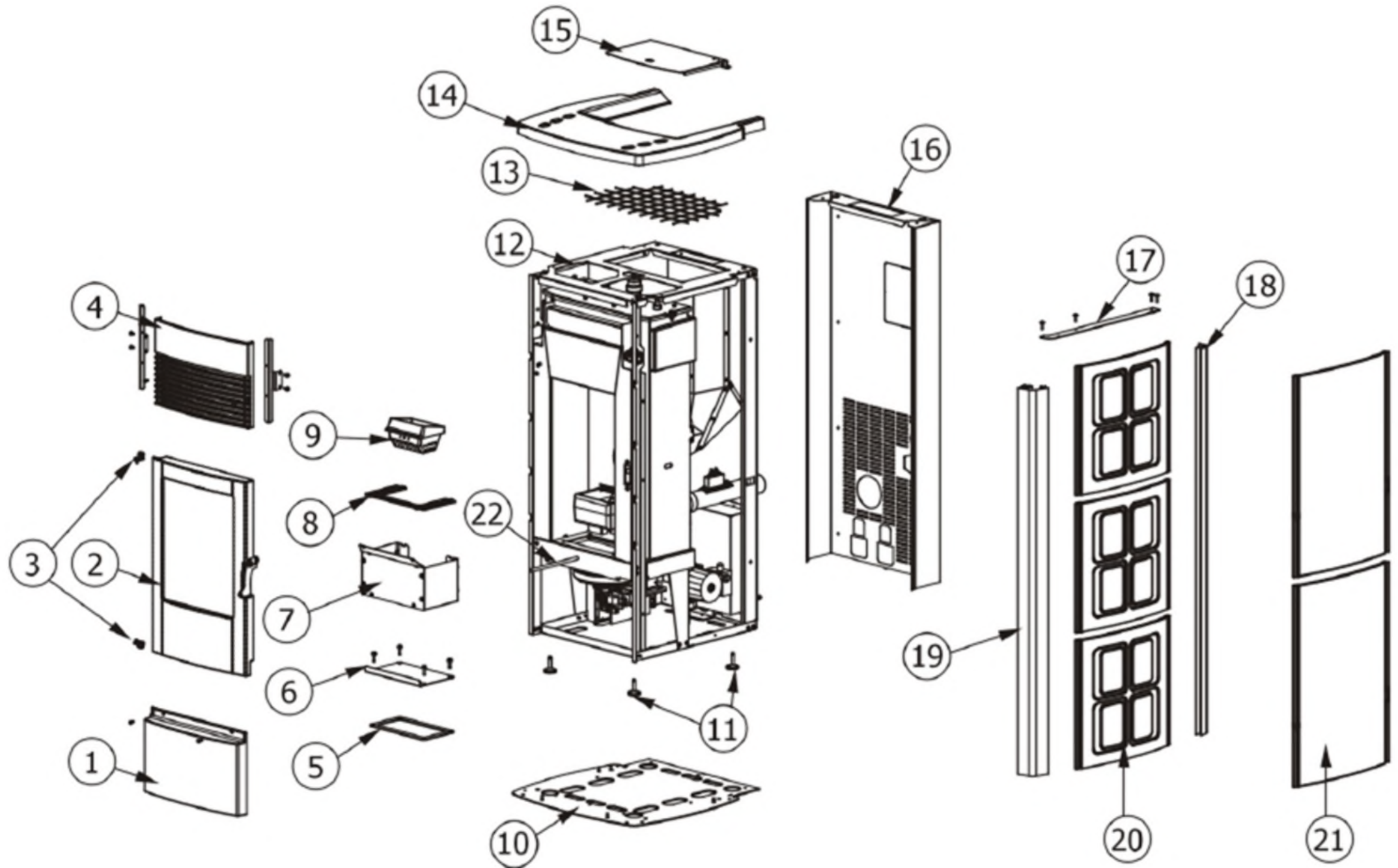


MCZ GROUP

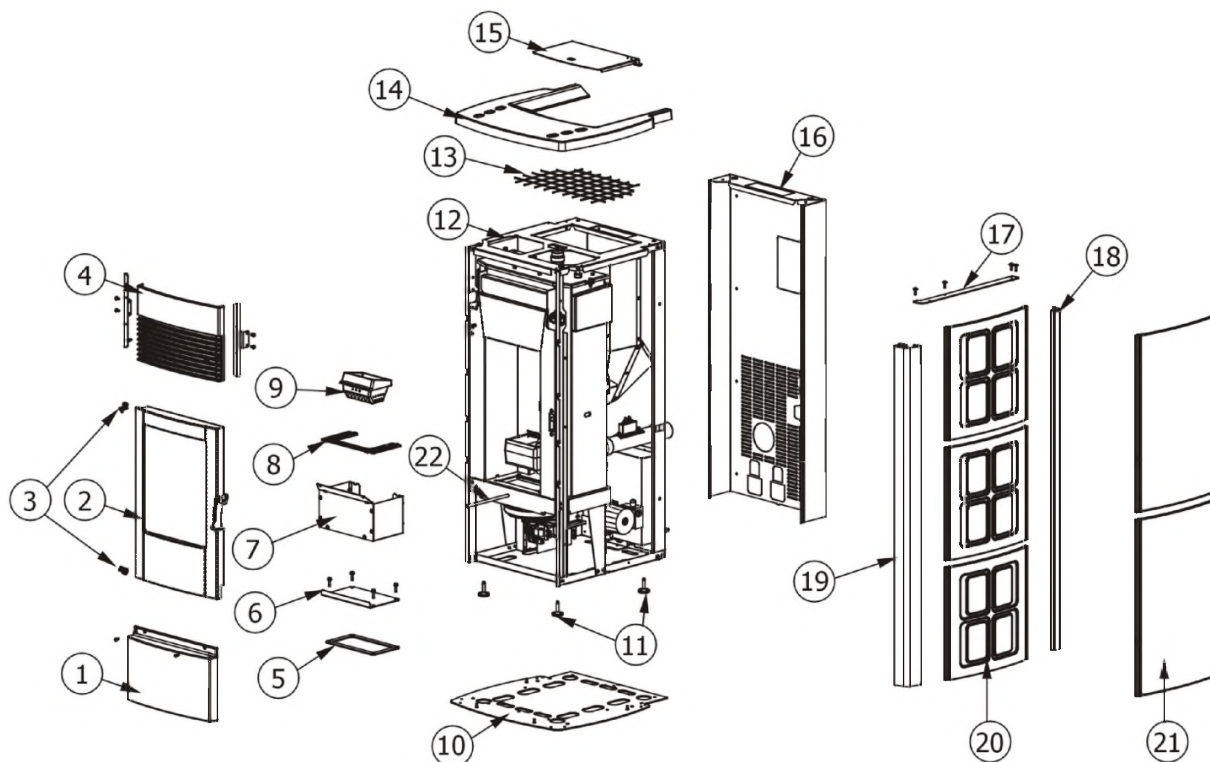
STAR HYDRO

Componenti Struttura Esterna / External structure components / Bauteile Aussenkorpus / Composants structure externe / Componentes estructura externa



STAR HYDRO

Componenti Struttura Esterna / External structure components / Bauteile Aussenkorpus / Composants structure externe / Componentes estructura externa



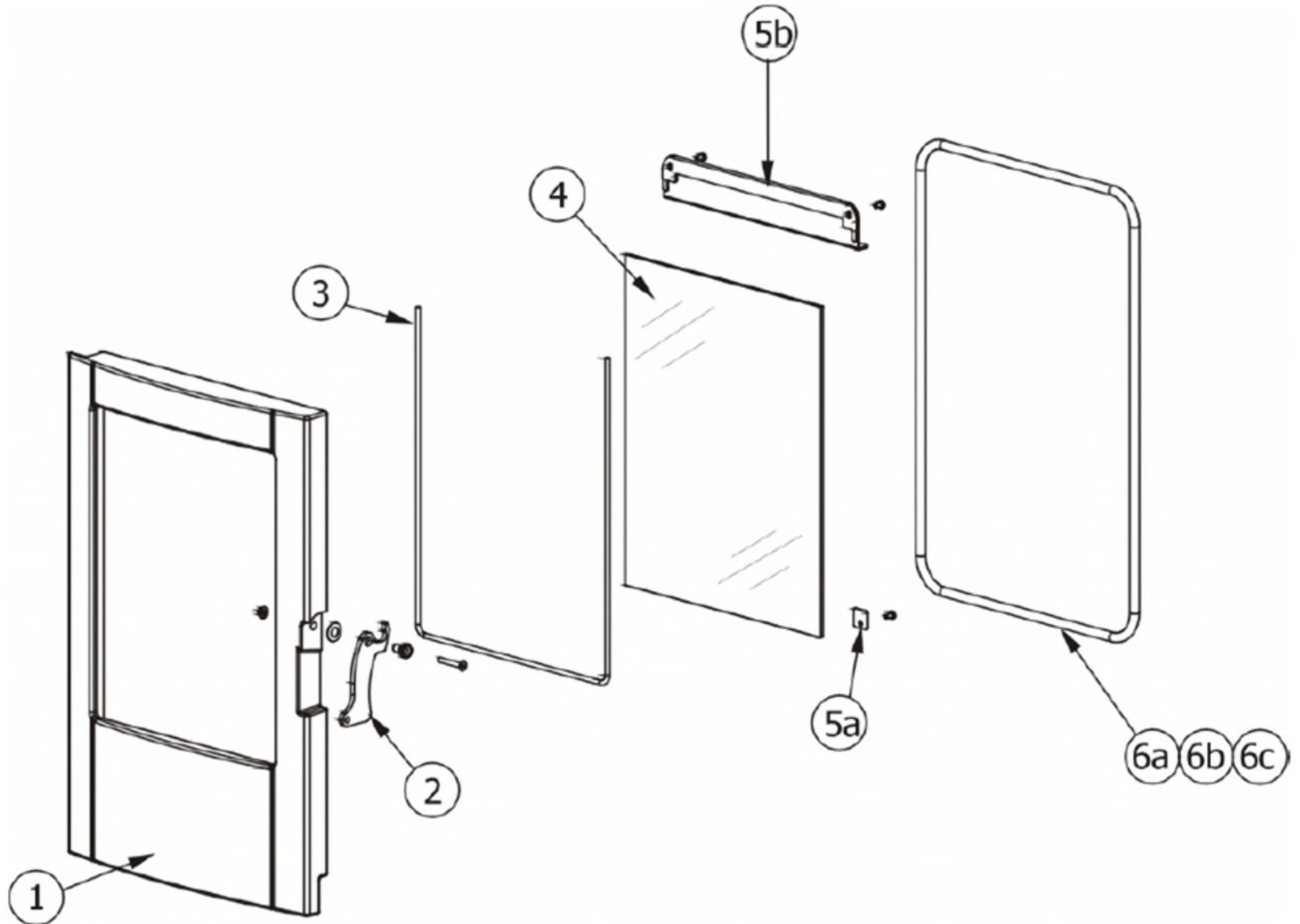
| N° | Codice/Code | Descrizioni / Description / Beschreibung / Description / Descripcion | Prezzo (€) |
|----|--------------|-----------------------------------------------------------------------------------------------------------------------------------------------------------------------------|------------|
| 1 | 413008013V | Frontale inferiore in ghisa / Cast iron lower front / Untere gusseiserne Frontblende / Panneau antérieur inférieur en fonte / Frontal inferior de arrabio | 55.00 |
| 2 | 41300801250 | Porta finita completa / Complete finished door / Komplette Tür / Porte finie complète / Puerta completa | 317.00 |
| 3 | 412008063 | Cerniere porta fuoco (2 pz) / Fire door hinge (2pcs) / Scharnier Feuertür (2 Stck) / Charnière porte foyer (2 pcs) / bisagra puerta del hogar (2 pz) | 27.00 |
| 4 | 413008011V | Griglia uscita aria in ghisa / cast iron Air outlet grille / Gusseisernes Gitter Warmluftaustritt / Grille de sortie air chaud en fonte / Rejilla salida aire de arrabio | 59.00 |
| 5 | 41800900600 | Guarnizione / Gasket / Dichtung / Joint / Junta | 21.00 |
| 5 | 41801599750 | Kit 50 guarnizioni / Kit 50 gaskets / Bausatz 50 Dichtungen / Kit 50 joints / Kit 50 juntas | 840.00 |
| 6 | 41400915411V | Tappo ispezione vano fumi / Smoke compartment inspection plug / Inspektionsdeckel Rauchabzug / Clapet inspection compartiment fumées / Tapón inspección compartimento humos | 21.00 |
| 7 | 41400915531V | Cassetto cenere / Ash drawer / Aschenkasten / Tiroir à cendres / Cajón ceniza | 86.00 |
| 8 | 41400915711V | Griglia focolare / Fire box grille / Feuerstellenrost / Grille foyer / Rejilla hogar | 37.00 |
| 9 | 413008003 | Braciere completo in ghisa / Cast iron complete grate / Kompletter Brennerkopf aus Gusseisen / Brasero complet en fonte / Brasero completo de arrabio | 50.00 |
| 10 | 41400905840V | Basamento / Base / Basis / Base / Base | 59.00 |
| 11 | 4120618 | Piedini di appoggio (4 pz) / Support feet (4 pcs) / Einstellfüße (4 Stck) / Vérins d'appui (4 pcs) / Pies de apoyo (4 pz) | 20.00 |
| 12 | 41400904962 | TOP in acciaio nero verniciato / Steel TOP painted black / ABDECKPLATTE in Stahl schwarz lackiert / DESSUS en acier laqué noir / TOP de acero negro barnizado | 54.00 |
| 13 | 41400904100 | Griglia protezione serbatoio / Hopper protection grille / Schutzgitter Pelletbehälter / Grille de protection réservoir / Rejilla de protección depósito | 27.00 |
| 14 | 41300801061 | Top grigio in ghisa / gray cast iron Top / Top Grauguss / Dessus fonte grise / Top gris de arrabio | 92.00 |
| 15 | 41400906160 | Coperchio serbatoio pellet / Pellet hopper cover / Deckel Pelletbehälter / Couvercle réservoir pellet / Tapadera depósito pellet | 67.00 |
| 16 | 41400916100V | Schiena esterna in acciaio / Steel external back / Aussenrückwand aus Stahl / Dossieret extérieur en acier / Panel trasero externo de acero | 76.00 |
| 17 | 41400906710 | Staffa bloccaggio montanti / Upright bracket / Oberer Bügel für Montageleiste / Étrier supérieur du montant / Montante abrazadera superior | 18.00 |

| | | | |
|----|-------------|-----------------------------------------------------------------------------------------------------------------------------------------------------------------------------------------------------|--------|
| 18 | 41200901450 | Montante posteriore DX / R. back vertical rod / Re. Hintere Montageleiste / Montant postérieur D. / Montante posterior DCHO | 38.00 |
| 18 | 41200905950 | Montante posteriore SX / L. back vertical rod / Li. Hintere Montageleiste / Montant postérieur G. / Montante posterior IZDO | 38.00 |
| 19 | 41200901350 | Montante anteriore DX / R. frontal vertical rod / Re. Vordere Montageleiste / Montant antérieur D. / Montante anterior DCHO | 47.00 |
| 19 | 41200905850 | Montante anteriore SX / L. frontal vertical rod / Li. Vordere Montageleiste / Montant antérieur G. / Montante anterior IZDO | 52.00 |
| 20 | 412508031 | Ceramiche laterali sale e pepe / Salt and pepper side ceramics / Seitliche Keramik Salz und Pfeffer / Carreaux latéraux en céramique poivre et sel / Cerámicas laterales sal y pimenta | 57.00 |
| 20 | 412508032 | Ceramiche laterali bordeaux / Burgundy side ceramics / Seitliche Keramik Bordeaux / Carreaux latéraux en céramique bordeaux / Cerámicas laterales burdeos | 57.00 |
| 20 | 412508033 | Ceramiche laterali terra di siena / Terra di Siena side ceramics / Seitliche Keramik Terra di Siena / Carreaux latéraux en céramique terra di Siena / Cerámicas laterales terra di Siena | 57.00 |
| 21 | 41250904600 | Piastre lato DX-SX pietra ollare / R.-L. soap stone side plates / Seitliche Platten RE.-LI. Speckstein / Plaque côté D.-G. pierre ollaire / Placas DCHA-IZDA piedra de cocción | 102.00 |
| 22 | 41200904301 | Asta raschiatore vano fumi / Scraper bar smoke exhaust fan compartment / Abkratzerstab Rauchgasgebläseraum / Tige raclette compartiment extracteur des fumées / Asta rascador vano ventilador humos | 32.00 |

MCZ GROUP

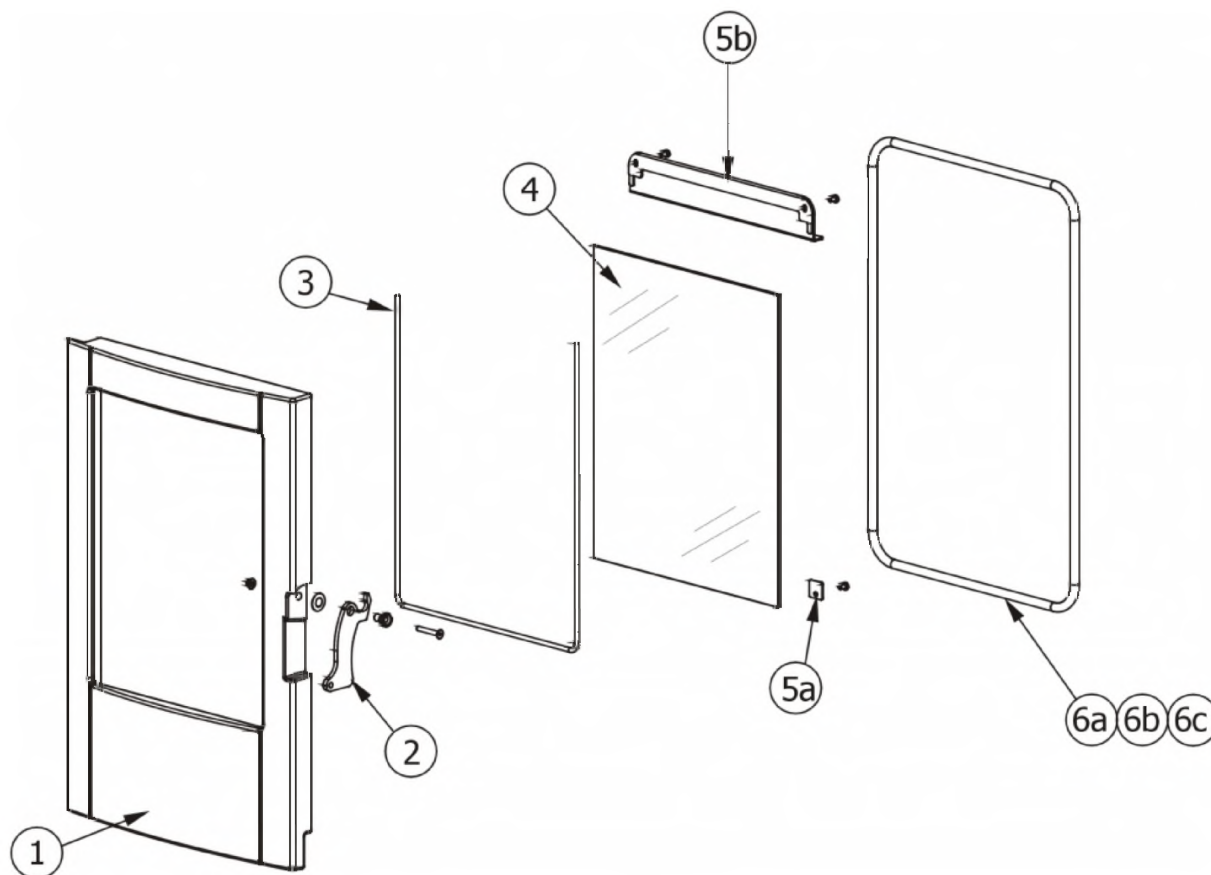
STAR HYDRO

Porta fuoco / Fire door / Feuertür / Porte foyer / Puerta hogar



STAR HYDRO

Porta fuoco / Fire door / Feuertür / Porte foyer / Puerta hogar

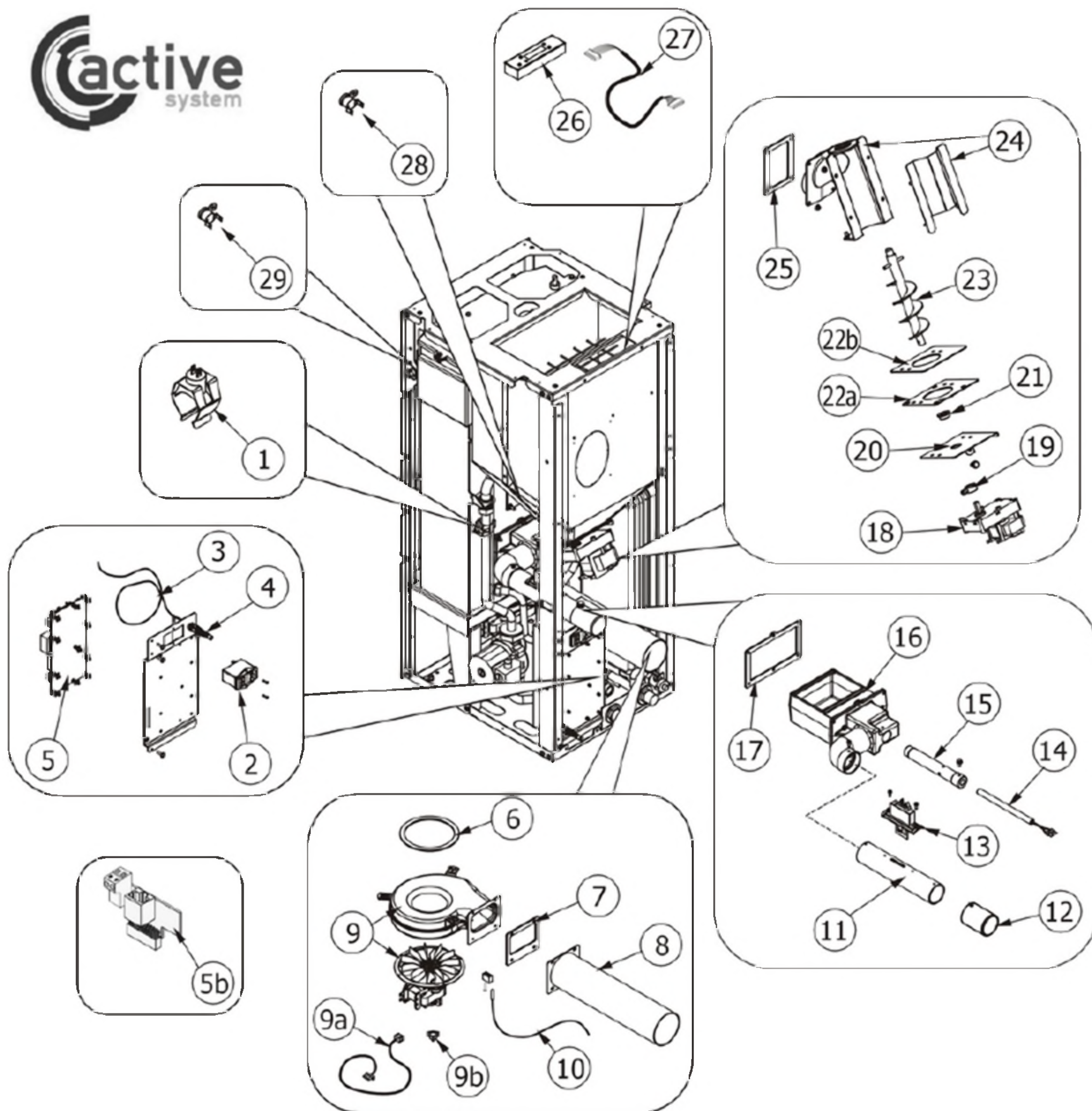


| N° | Codice/Code | Descrizioni / Description / Beschreibung / Description / Descripción | Prezzo (€) |
|----|--------------|-----------------------------------------------------------------------------------------------------------------------------------------------------------------------------------------------------------------------------------------------------------------------------|------------|
| 1 | 413008012V | Telaio porta in ghisa / Cast iron door frame / Feuertürrahmen / Cadre porte foyer en fonte / Armazón puerta de arrabio | 132.00 |
| 2 | 41400911160 | Maniglia completa / Complete handle / Kompletter Griff / Poignée complète / Tirador completo | 25.00 |
| 3 | 4120106 | Guarnizione a nastro fireglass / Fireglass tape gasket / Banddichtung Fireglass / Joint ruban Fireglass / Guarnición a cinta Fireglass | 28.00 |
| 4 | 41700900300 | Vetroceramico con guarnizione / Glass with gasket / Glaskeramikscheibe mit Dichtung / Vitrocéramique avec joint / Cristal cerámico con guarnición | 120.00 |
| 5a | 41401077430 | Staffe di fissaggio vetroceramico (4 pz.) / Pyroceram fastening brackets (4 pcs.) / Befestigungsbügel Glaskeramik (4 Stck.) / Étrier de fixation vitrocéramique (4 pz.) / Abrazaderas de fijación vidrio cerámico (4 piezas) | 21.00 |
| 5b | 41400905730V | Deflettore porta / Door deflector / Tür Leitblech / Déflecteur de la porte / Deflektor de la puerta | 26.00 |
| 6a | 4120103A | Cordino fibrocaramico Ø 10 mm (5 mt.) / Ceramic fibre cord Ø 10 mm (5 m) / Keramikfaserschnur Ø 10 mm (5 m) / Cordon en fibre céramique Ø 10 mm (5 m) / Junta a cuerda de fibra cerámica Ø 10 mm (5 m) | 29.00 |
| 6b | 4120103B | Cordino fibrocaramico Ø 10 mm (50 mt.) / Ceramic fibre cord Ø 10 mm (50 m) / Keramikfaserschnur Ø 10 mm (50 m) / Cordon en fibre céramique Ø 10 mm (50 m) / Junta a cuerda de fibra cerámica Ø 10 mm (50 m) | 167.00 |
| 6c | 41201031 | Kit sostituzione cordino (cordino+silicone) Ø 10 mm / Cord replacement kit (cord + silicone) Ø 10 mm / Schnuraustauschsatz (Schnur+Silikon) Ø 10 mm / Kit remplacement cordon (cordon + silicone) Ø 10 mm / Kit sustitución junta a cuerda (junta a cuerda+silicon) Ø 10 mm | 43.00 |

MCZ GROUP

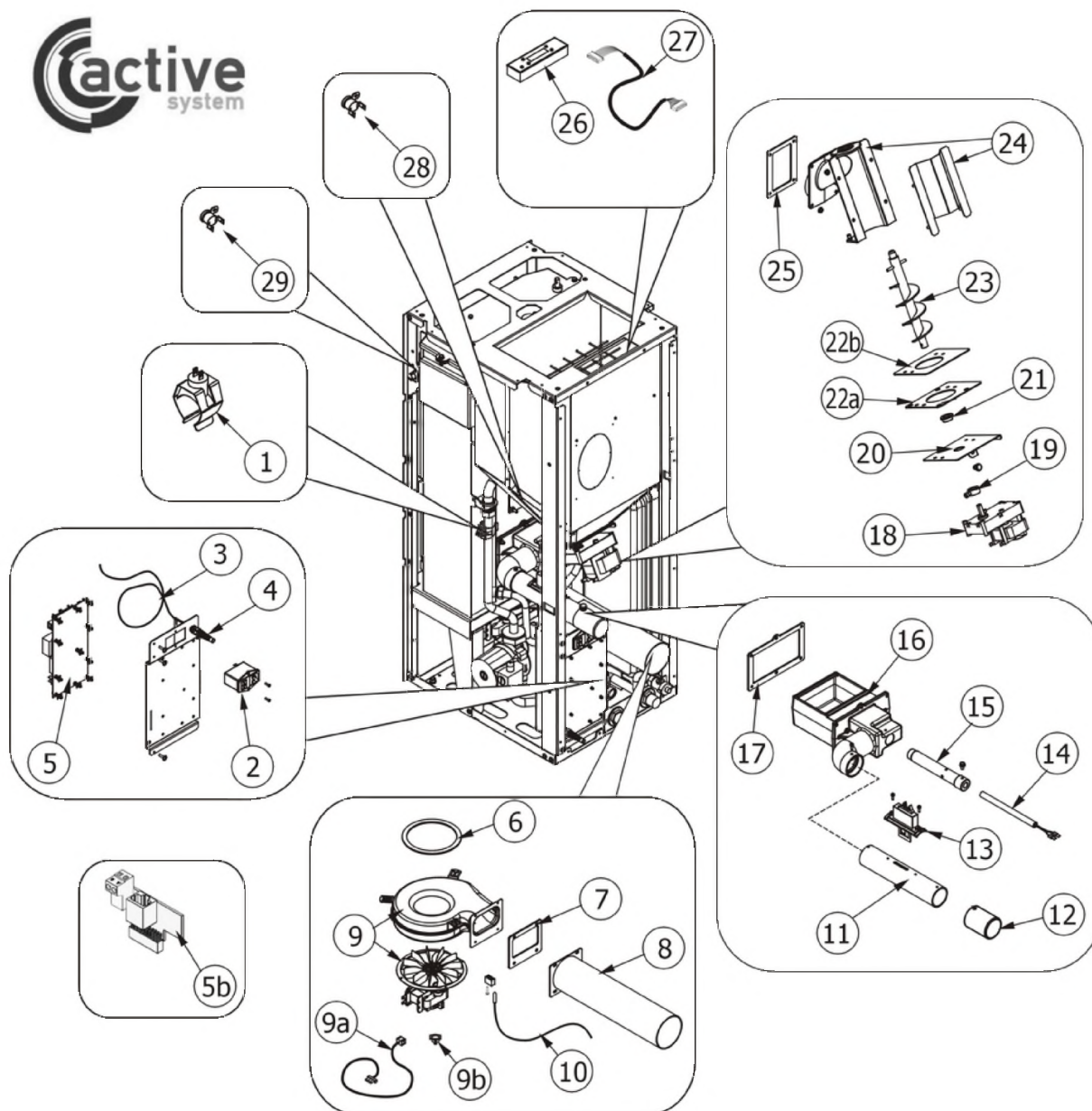
STAR HYDRO

Componenti interni / Internal components / Interne Bauteile / Composants internes / Componentes internos



STAR HYDRO

Componenti interni / Internai components / Interne Bauteile / Composants internes / Componentes internos



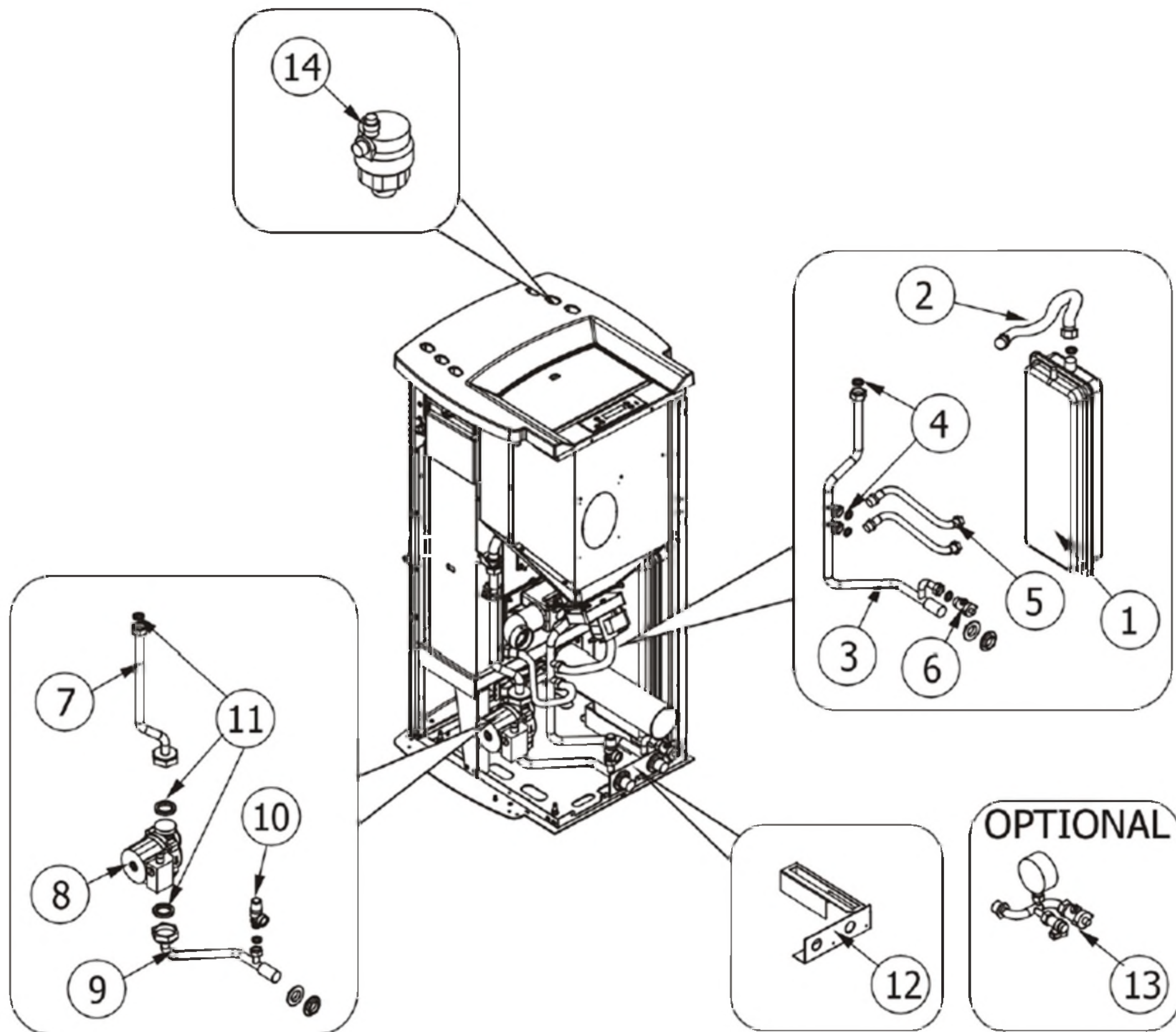
| N° | Codice/Code | Descrizioni / Description / Beschreibung / Description / Descripción | Prezzo (€) |
|----|-------------|-----------------------------------------------------------------------------------------------------------------------------------------------------------------------------------------------------------------------------------------------------------------------------------------------|------------|
| 1 | 41450901200 | Sonda temperatura acqua / Water temperature sensor / Wassertemperaturfühler / Sonde température eau / Sonda temperatura agua | 26.00 |
| 2 | 4160459 | Pulsante accensione / On/Off button / Zündungstaste / Touche d'allumage / Botón encendido | 37.00 |
| 3 | 41450901700 | Sonda temperatura ambiente + sonda fumi / Room temperature sensor + smoke sensor / Raumtemperaturfühler + Rauchgasfühler / Sonde température ambiante + Sonde fumées / Sonda temperatura ambiente + Sonda humos | 41.00 |
| 4 | 414508038 | Pressacavo / cable holder / Kabelklemme / presse-cable / presionacable | 21.00 |
| 5b | 41451101050 | Scheda madre Hydro per stufe CON pompa alta efficienza / Motherboard Hydro for stoves WITH high efficiency pump / Hauptplatine Hydro für Öfen MIT Hocheffizienzpumpe / Carte mère Hydro pour poêles AVEC pompe à haut rendement / Tarjeta madre Hydro para estufas CON bomba alto rendimiento | 171.00 |
| 5b | 4009016 | Interfaccia termostato esterno / External thermostat interface / Schnittstelle Aussenthermostat / Interface thermostat externe / Conector termostato exterior | 13.00 |
| 5b | 41451101100 | Scheda supplementare Hydro / Supplementary mother board Hydro / Zusätzliche Platine Hydro / Carte mère additionnelle Hydro / Tarjeta adicional Hydro | 50.00 |
| 6 | 41801002600 | Guarnizione adesiva voluta fumi / Adhesive gasket smoke volute / Haftenddichtung Rauchvolute / Joint adhesive | 20.00 |

| | | | |
|-------|--------------|-----------------------------------------------------------------------------------------------------------------------------------------------------------------------------------------------------------------------------------------------------------|----------|
| | | volute fumées / Junta adhesiva voluta humos | |
| 6 | 41801599850 | Kit 50 guarnizioni / Kit 50 gaskets / Bausatz 50 Dichtungen / Kit 50 joints / Kit 50 juntas | 800.00 |
| 7 | 418008030 | Guarnizione / Gasket / Dichtung / Joint / Junta | 21.00 |
| 8 | 416008010 | Tubo uscita fumi / Smoke outlet pipe / Rohr Rauchabzug / Tuyau sortie fumées / Tubo salida humos | 33.00 |
| 9 | 41451003202 | Ventilatore aspirazione fumi / Smoke exhausted fan / Rauchabsauggebläse / Ventilateur aspiration fumées / Ventilador aspiración humos | 106.00 |
| 9 | 41801102500 | Guarnizione / Gasket / Dichtung / Joint / Junta | 21.00 |
| 9a | 4160477 | Cavo ENCODER / ENCODER cable / Drehzahlmesser kabel / Câble ENCODER / Cable ENCODER | 36.00 |
| 9b | 41451209300 | Encoder per ventilatore fumi marchi LN2/SIT / Encoder for LN2/SIT smoke fan / Encoder für LN2/SIT Rauchgasgebläse / Encoder pour ventilateur des fumées marques LN2/SIT / Encoder para ventilador humos marcas LN2/SIT | 21.00 |
| 10 | 41450901700 | Sonda temperatura ambiente + sonda fumi / Room temperature sensor + smoke sensor / Raumtemperaturfühler + Rauchgasfühler / Sonde température ambiante + Sonde fumées / Sonda temperatura ambiente + Sonda humos | 41.00 |
| 11 | 41200901200 | Tubo ingresso aria / Air inlet pipe / Lufteingangrohr / Tuyau entrée air / Tubo entrada aire | 25.00 |
| 12 | 41401036100 | Filtro antipolvere / Anti-dust filter / Staubschutzfilter / Filtre antipoussière / Filtro de protección polvo | 21.00 |
| 13 | 41451205000 | Sensore aria completo / Complete air sensor / Kompletter Luftfühler / Capteur air complet / Sensor aire completo | 71.00 |
| 14 | 41450905000 | Candeletta accensione pellet / Pellet ignition sparkplug / Zündkerze Pelletzündung / Bougie d'allumage pellet / Bujía encendido pellet | 45.00 |
| 14 | 41801599550 | Kit 50 candelette / 50 Sparkplugs kit / Bausatz 50 Zündkerzen / Kit 50 Bougies / Kit 50 Bujías | 1,800.00 |
| 15 | 41200903900 | Condotto candeletta / Sparkplug conduit / Zündkerzenkanal / Conduit bougie / Conducto bujía | 36.00 |
| 16 | 414008043 | Tasca braciere in ghisa / Combustion pot container / Brenntopfkasten aus Gusseisen / Récipient braséro / Contenedor brasero | - |
| 16 | 41401069141V | Tasca braciere / Combustion pot container / Brenntopfkasten / Récipient braséro / Contenedor brasero | 164.00 |
| 17 | 418008027 | Guarnizione / Gasket / Dichtung / Joint / Junta | 22.00 |
| 18 | 41450901600 | Motoriduttore 3,3 rpm Merkle Korff / Reduction motor 3,3 rpm Merkle Korff / Getriebemotor 3,3 RPM MERKLE KORFF / Motoréducteur 3,3 RPM MERKLE KORFF / Motorreductor 3,3 rpm Merkle Korff | 95.00 |
| 19 | 4120398 | Connettore motoriduttore-coclea / Reduction motor-feed screw connector / Verbindung Getriebemotor-Schnecke / Connecteur motoréducteur-vis sans fin / Conector motorreductor-cóclea | 22.00 |
| 20 | 41400944351 | Base della coclea / Feed screw base / Untergestell der Förderschnecke / Base de la vis sans fin / Base de la cóclea | 25.00 |
| 21 | 4120614 | Boccola grafitata (2 pz) / Etched bush (2 pcs) / Graphitbuchse (2 Stck) / Bride graphitée (2 pcs) / Brida grafitada (2 pz) | 20.00 |
| 22a | 4120615 | Guarnizione base della coclea / Feed screw base gasket / Dichtung Untergestell der Förderschnecke / Joint pour la base de la vis sans fin / Junta base de la cóclea | 19.00 |
| 22b | 41400903310 | Flangia condotto coclea / Base of feed screw conduit / Untergestell Rohrleitung der Förderschnecke / Base du conduit de la vis sans fin / Base de conducto de la cóclea | 20.00 |
| 23 | 41200901040 | Coclea di caricamento pellet / Pellet feed screw / Pelletsförderschnecke / Vis sans fin pour chargement du pellet / Cóclea de carga pellet | 46.00 |
| 24 | 41401077540V | Condotto della coclea / Conduit of feed screw / Rohrleitung der Förderschnecke / Conduit de la vis sans fin / Conducto de la cóclea | 81.00 |
| 25 | 418008029 | Guarnizione / Gasket / Dichtung / Joint / Junta | 21.00 |
| 26-27 | 414508022 | Pannello comandi con display LCD con cavo flat / Control panel with LCD display with flat cable / Bedienblende mit LCD-Display mit flat-Kabel / Tableau de commande avec afficheur LCD avec cable flat / Panel de mandos con pantalla LCD con cables flat | 107.00 |
| 28 | 412007004 | Clickson 110°C / Clickson 110°C / Clickson 110°C / Clickson 110°C / Clickson 110°C | 20.00 |
| 29 | 41450901100 | Clickson 95°C / Clickson 95°C / Clickson 95°C / Clickson 95°C / Clickson 95°C | 20.00 |

MCZ GROUP

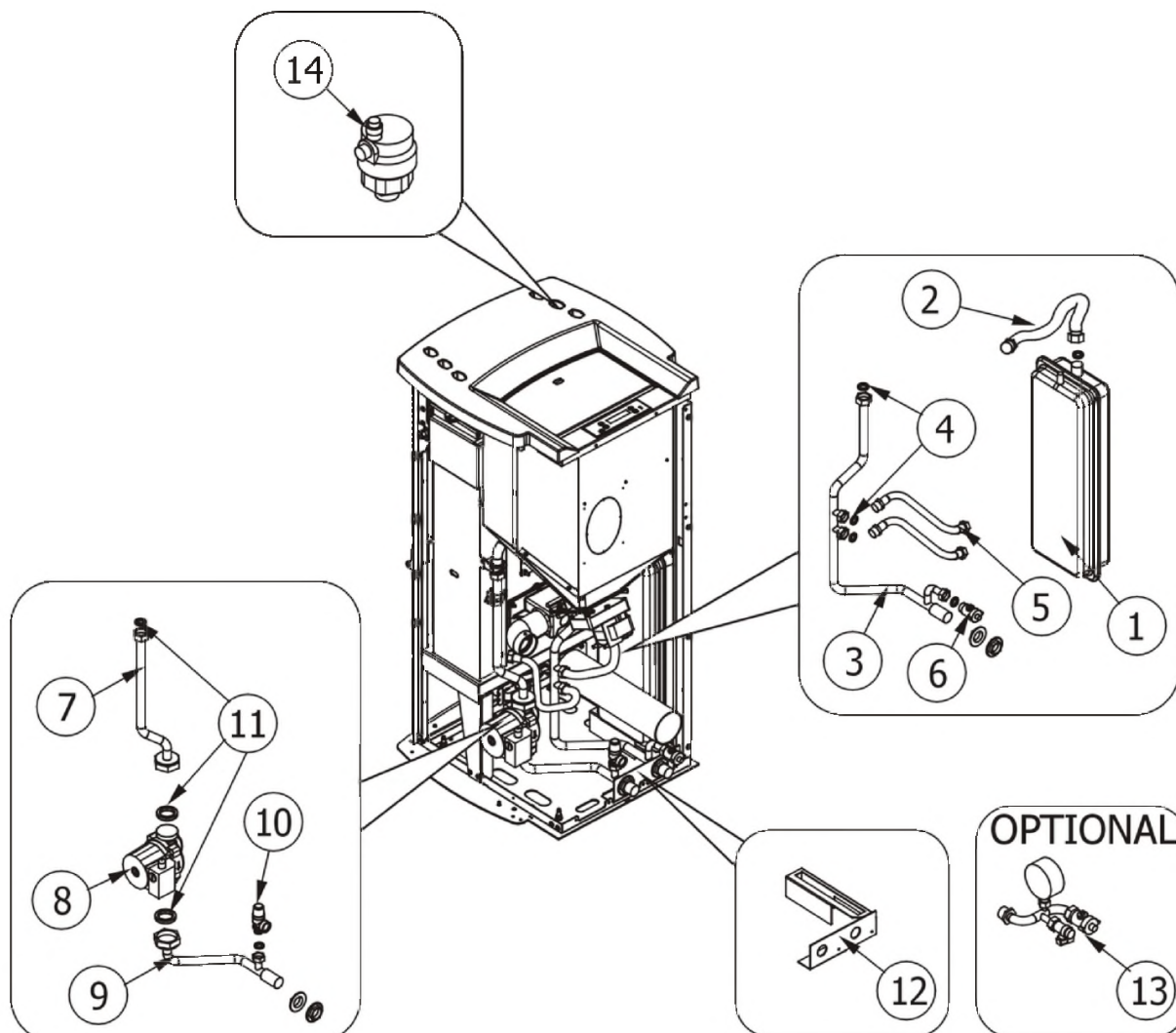
STAR HYDRO

Componenti interni idraulici **SENZA** kit acqua sanitaria / Internai plumbing components **WITHOUT** domestic water kit / Interne hydraulische Bauteile **OHNE** Brauchwassersatz / Composants hydrauliques internes **SANS** kit eau sanitaire / Componentes internos hidráulicos **SIN** kit de agua sanitaria



STAR HYDRO

Componenti interni idraulici **SENZA** kit acqua sanitaria / Internal plumbing components **WITHOUT** domestic water kit / Interne hydraulische Bauteile **OHNE** Brauchwassersatz / Composants hydrauliques internes **SANS** kit eau sanitaire / Componentes internos hidráulicos **SIN** kit de agua sanitaria



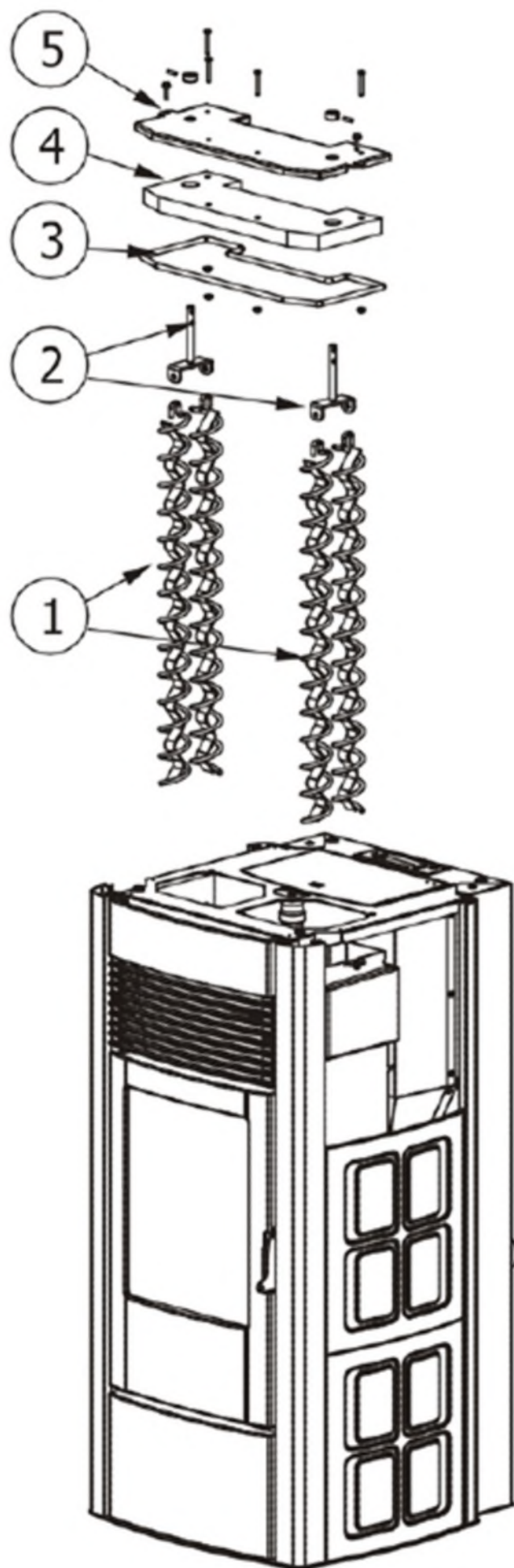
| N° | Codice/Code | Descrizioni / Description / Beschreibung / Description / Descripción | Prezzo (€) |
|----|-------------|---------------------------------------------------------------------------------------------------------------------------------------------------------------------------------------------------------|------------|
| 1 | 4120775 | Vaso espansione (6 l) / Expansion vessel (6 l) / Expansionsgefäß (6 l) / Vase d'expansion (6 l) / Vaso de expansion (6 l) | 75.00 |
| 2 | 4120781 | Giunto estensibile inox 3/4" / 3/4" stainless steel flexible joint / Edelstahl Verbindungsschlauch 3/4" / Joint flexible inox 3/4" / junta flexible inox 3/4" | 48.00 |
| 3 | 41500901100 | Tubo di ritorno acqua in caldaia / Boiler water return tube / Rücklaufrohr Wasser zum Kessel / Tuyau retour eau dans la chaudière / Tubo de regreso de agua a la caldera | 71.00 |
| 4 | 41207910 | Kit guarnizioni impianto idraulico / Hydraulic system gasket kit / Dichtungsbausatz für Hydraulikanlage / Kit de joints pour l'installation hydraulique / Kit de juntas de la instalación de fontanería | 26.00 |
| 4 | 41207910 | Kit guarnizioni impianto idraulico / Hydraulic system gasket kit / Dichtungsbausatz für Hydraulikanlage / Kit de joints pour l'installation hydraulique / Kit de juntas de la instalación de fontanería | 26.00 |
| 5 | 41500901300 | Tubo flessibile inox 1/2" / 1/2" stainless steel flexible tube / Edelstahlschlauch 1/2" / Tuyau flexible inox 1/2" / Tubo flexible inox 1/2" | 23.00 |
| 6 | 4160351 | Rubinetto scarico 1/2" con tappo / 1/2" drain valve with plug / Ablaufhahn 1/2" mit Stopfen / Robinet évacuation 1/2" avec bouchon / Grifo de desagüe 1/2" con tapón | 31.00 |
| 7 | 41500901000 | Tubo di mandata acqua da caldaia / Boiler water delivery tube / Vorlaufrohr Wasser vom Kessel / Tuyau de refoulement eau de la chaudière / Tubo de envío de agua de la caldera | 40.00 |
| 8 | 41501205200 | Pompa di circolazione acqua / Water circulation pump / Umwälzpumpe / Pompe de circulation eau / Bomba circulación agua | - |

| | | | |
|-----------|--------------------|---------------------------------------------------------------------------------------------------------------------------------------------------------------------------------------------------------|---------------|
| 8 | 41501500100 | Pompa alta efficienza / High efficiency pump / Hoch effizientz Pumpe / Pompe de circulation haut rendement / Bomba circulación alto rendimiento | 218.00 |
| 8 | 41451101100 | Scheda supplementare Hydro / Supplementary mother board Hydro / Zusätzliche Platine Hydro / Carte mère additionnelle Hydro / Tarjeta adicional Hydro | 50.00 |
| 8 | 41451101202 | Cavo / Cable / Kabel / Cable / Cable | 25.00 |
| 9 | 41500900900 | Tubo di mandata acqua da pompa / Water circulation pump delivery tube / Vorlaufrohr Wasser von der Pumpe / Tuyau de refoulement eau de la pompe / Tubo de envío de agua de la bomba | 200.00 |
| 10 | 4120778 | Valvola di massima pressione (3 bar) / Maximum pressure valve (3 bar) / Hochdruckventil (3 Bar) / Soupape de pression maximale (3 bar) / Válvula de máxima presión (3 bar) | 31.00 |
| 11 | 41207910 | Kit guarnizioni impianto idraulico / Hydraulic system gasket kit / Dichtungsbausatz für Hydraulikanlage / Kit de joints pour l'installation hydraulique / Kit de juntas de la instalación de fontanería | 26.00 |
| 11 | 41207910 | Kit guarnizioni impianto idraulico / Hydraulic system gasket kit / Dichtungsbausatz für Hydraulikanlage / Kit de joints pour l'installation hydraulique / Kit de juntas de la instalación de fontanería | 26.00 |
| 12 | 41400914930 | Staffa di supporto gruppo idraulico / Hydraulic group support bracket / Haltebügel der Hydraulischen Baugruppe / Étrier support du group hydraulic / Zuncho de soporte del kit idraulico | 32.00 |
| 13 | 4009020 | Kit manometro / Kit manometer / Kit Manometer / Kit manomètre / Kit manómetro | 55.00 |
| 14 | 4120779 | Valvola di sfiato / Vent valve / Entlüftungsventil / Soupape de dégagement / Válvula respiradero | 26.00 |

MCZ GROUP

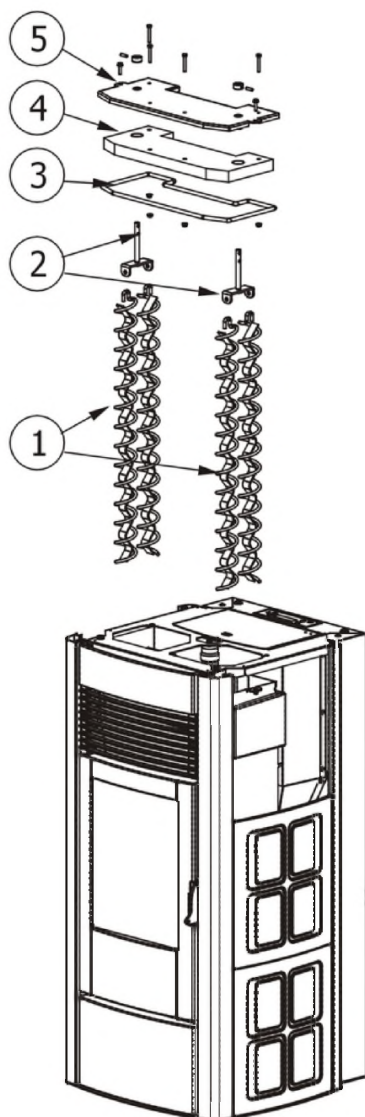
STAR HYDRO

Gruppo scambiatore / Exchanger group / Austausch Baugruppe / Groupe échangeur / Grupo intercambiador



STAR HYDRO

Gruppo scambiatore / Exchanger group / Austausch Baugruppe / Groupe échangeur / Grupo intercambiador



| N° | Codice/Code | Descrizioni / Description / Beschreibung / Description / Descripción | Prezzo (€) |
|----|--------------|-------------------------------------------------------------------------------------------------------------------------------------------------------------------------------------------------------|------------|
| 1 | 41200903100 | Eliche raschiatore (1 pz.) / Turbulator props (1 pc.) / Reinigungsspirale (1 Teil) / Hélices turbulateur (1 pz.) / Hélice rascador (1 pz.) | 27.00 |
| 2 | 41400914740 | Staffa sostegno raschiatore / Turbulator support bar / Haltebügel der Reinigungsspirale / étrier support turbulateur / Zuncho apoyo rascador | 25.00 |
| 3 | 4120103A | Cordino fibroceramico Ø 10 mm (5 mt.) / Ceramic fibre cord Ø 10 mm (5 m) / Keramikfaserschur Ø 10 mm (5 m) / Cordon en fibre céramique Ø 10 mm (5 m) / Junta a cuerda de fibra cerámica Ø 10 mm (5 m) | 29.00 |
| 4 | 41150900100 | Pannello calorite coperchio caldaia / Boiler cover calorite panel / Kesseldeckepaneel aus Calorite / Panneau en calorite couvercle chaudière / Panel en calorite tapa caldera | 29.00 |
| 5 | 41400914840V | Coperchio scambiatore / Exchanger cover / Deckel des Austauschers / Couvercle Echangeur / Tapa intercambiador | 55.00 |
| 5 | 41200903300 | Trascinatore turbolatori (2 pz.) / Turbulator props puller (2 PC.) / Reinigungsspiralenmitnehmer (2 STCK). / Meneur de turbulateur (2 Pc.) / Arrebatador hélice rascador (2 pz.) | 25.00 |