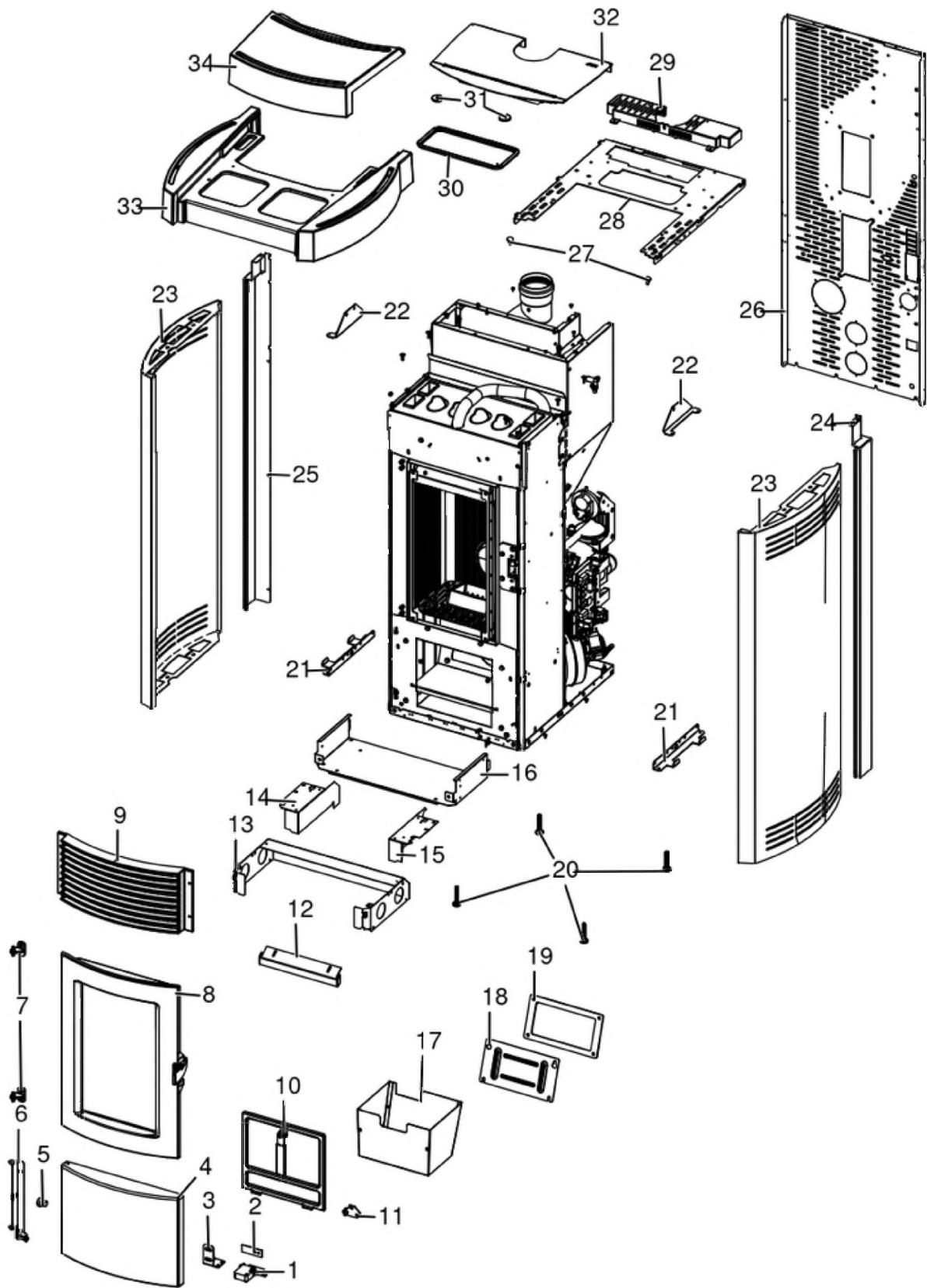


MUSA COMFORT AIR 12 UP! M1 UF

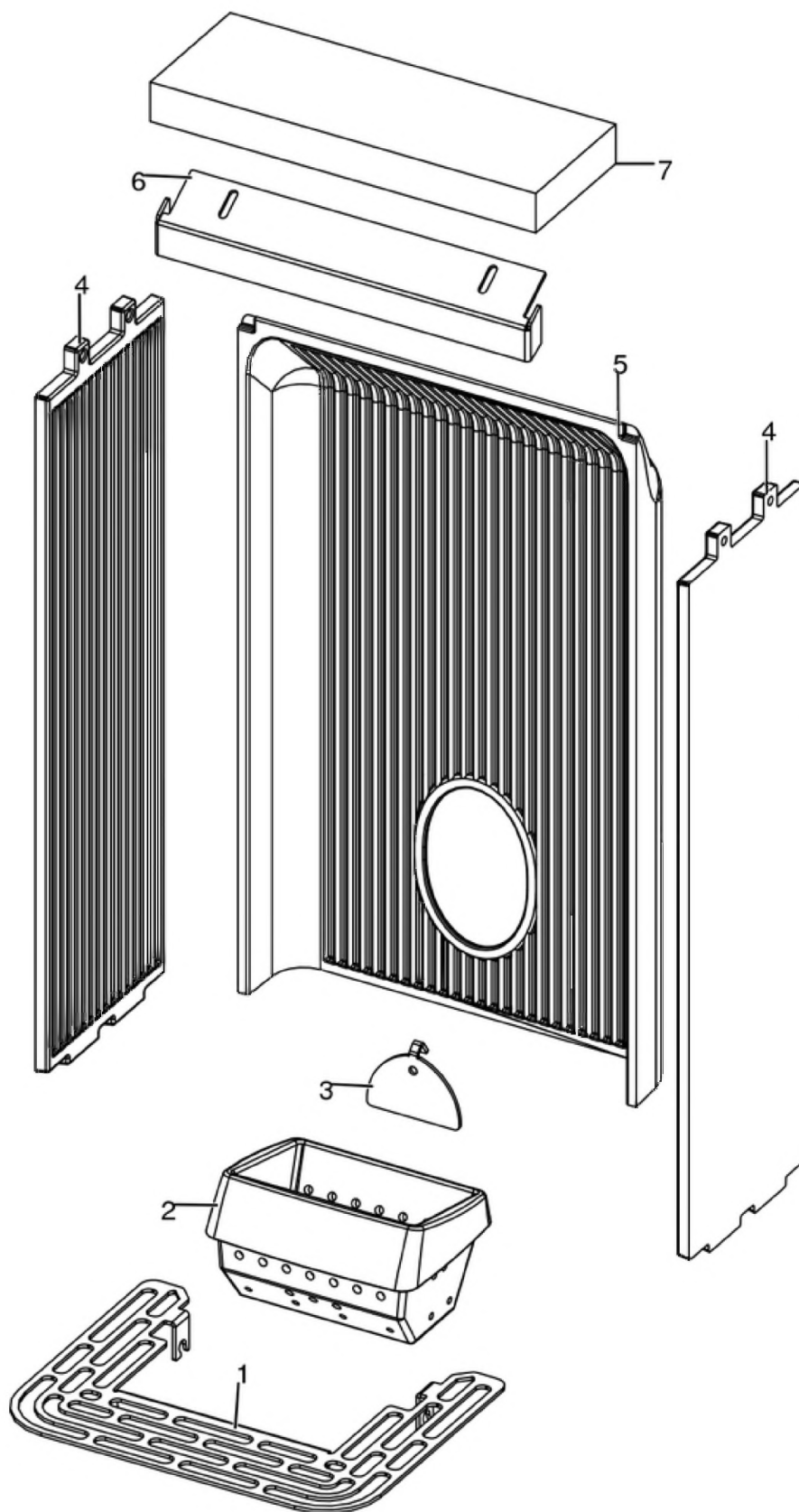
Gruppo estetico / Aesthetic group / Aesthetische Gruppe / Groupe esthétique / Grupo estético



| N° | Codice/Code | Descrizioni / Description / Beschreibung / Description / Descripcion | Prezzo (€) |
|----|---------------|--|------------|
| 1 | 41201305100 | Chiusura a spinta / Push-pull pressure closing / Druckschließung / Fermeture par pression / Cierre a presión | 20.00 |
| 2 | 41801607300 | Guarnizione scroccchetto / Latch gasket / Riegel Dichtung / Joint loquet / Burlete pestillo | 19.00 |
| 3 | 41401632030 | Staffa di supporto / Support bracket / Haltebügel / Étrier support / Abrazadera de soporte | 18.00 |
| 4 | 41301503000V | Pannello inferiore in ghisa / Lower cast iron tile / Unteres Paneel aus Gusseisen / Panneau inférieur en fonte / Panel inferior en arrabio | 62.00 |
| 5 | 4120180 | Gommini paracolpi (4 pz) / Rubber bumpers (4 pcs.) / Schlagschutzgummi (4 Stck) / Pièces caoutchouc antichoc (4 pcs) / Cauchitos anti-golpes (4 pz) | 21.00 |
| 6 | 41411668640V | Supporto sportello / Door brakel / Türträger Klappe / Etrier porte / Soporte puerta | 30.00 |
| 7 | 41201504460 | Cerniera porta (2 pz.) / Door hinge (2 pc.) / Tür Scharnier (2 Stk.) / Charnière porte (2 pc.) / Bisagra puerta (2) | 24.00 |
| 8 | 437016208 | Porta / door / Tür / Porte / Puerta | 262.00 |
| 9 | 41301503100V | Griglia aria superiore in ghisa / Upper cast iron air grille / Obere Luftgitter aus Guß / Grille air supérieur en fonte / Rejilla aire superior de arrabio | 77.00 |
| 10 | 437016130 | Porta cenere con maniglia / Ash drawer door with handle / Tür des Aschenkastens mit Griff / Porte tiroir à cendres avec poignée / Puerta cajón ceniza con tirador | 83.00 |
| 11 | 41411674540V | Supporto sportello cenere / Ash drawer support / Aschenkasten Stütze / Support tiroir à cendres / Soporte Cajón ceniza | 23.00 |
| 12 | 41411615430V | Deflettore aria / Air deflector / Luftleitblech / Déflecteur aire / Deflector aire | 26.00 |
| 13 | 41401721830 | Convogliatore / Conveyor / Blech / Convoyeur / Conductor | 29.00 |
| 14 | 41401626131V | Tamponazione sx / L. filling / Abdichtung L. / Tampon G. / Taponado IZDO | 27.00 |
| 15 | 41401626031V | Tamponazione dx / R. filling / Abdichtung R. / Tampon D. / Taponado DCHO | 39.00 |
| 16 | 41401626232V | Compensatore / Compensator / Kompensator / Compensateur / Compensador | 54.00 |
| 17 | 437016041 | Cassetto cenere / Ash drawer / Aschenkasten / Tiroir à cendres / Cajón ceniza | 56.00 |
| 18 | 41401339610 | Tappo ispezione vano fumi / Smoke compartment inspection plug / Inspektionsdeckel Rauchabzug / Clapet inspection compartiment fumées / Tapón inspección compartimento humos | 21.00 |
| 19 | 41800900600 | Guarnizione / Gasket / Dichtung / Joint / Junta | 21.00 |
| 19 | 41801599750 | Kit 50 guarnizioni / Kit 50 gaskets / Bausatz 50 Dichtungen / Kit 50 joints / Kit 50 juntas | 840.00 |
| 20 | 41200906660 | Piedini di appoggio (4 pz.) / Support feet (4 pcs.) / Einstellfüße (4 Stck.) / Vérins d'appui (4 p.es) / Pies de apoyo (4 piezas) | 19.00 |
| 21 | 41401629030 | Supporto fianco / Side support / Seitenträger / Support côté / Soporte lateral | 17.00 |
| 22 | 41401628930 | Supporto fianco / Side support / Seitenträger / Support côté / Soporte lateral | 21.00 |
| 23 | 6916011 | Rivestimento copleto Metal White / Metal White complete cladding / Metal White komplette Verkleidung / Habillage complet Metal White / Revestimiento completo Metal White | 355.00 |
| 23 | 6916012 | Rivestimento copleto Metal Silver / Metal Silver complete cladding / Metal Silver komplette Verkleidung / Habillage complet Metal Silver / Revestimiento completo Metal Silver | 355.00 |
| 23 | 6916013 | Rivestimento completo Metal Black / Metal Black complete cladding / Metal Black komplette Verkleidung / Habillage complet Metal Black / Revestimiento completo Metal Black | 355.00 |
| 23 | 6916014 | Rivestimento copleto Metal Bordeaux / Metal Bordeaux complete cladding / Metal Bordeaux komplette Verkleidung / Habillage complet Metal Bordeaux / Revestimiento completo Metal Bordeaux | 355.00 |
| 24 | 41411674230P | Spalla DX / R. Pillar / Re. Säule / Pilier D. / Pilar DCHO | 45.00 |
| 25 | 41411674330P | Spalla SX / L. Pillar / Li. Säule / Pilier G. / Pilar IZDO | 45.00 |
| 26 | 41401631035 | Schiena serbatoio / Rear back / Rückwand / Dos du réservoir / Espalda de depósito | 65.00 |
| 27 | 41801002300 | Paracolpi in silicone Ø 8/5 (2pz) / Silicone bumpers Ø 8/5 (2pcs) / Schlagschutzgummi Ø 8/5 (2 Stck) / Pièces silicone antichoc Ø 8/5 (2pcs) / Anti-golpes en silicona Ø 8/5 (2pzs) | 18.00 |
| 28 | 41401701732 | Supporto top / Top support / Top Halterung / Support dessus / Soporte top | 40.00 |
| 29 | 4141189334000 | Collare / Collar / Tragen / Col / Cuello | 41.00 |
| 30 | 41801601400 | Guarnizione coperchio serbatoio / Pellet hopper cover gasket / Deckel Pelletbehälter Dichtung / Joint couvercle résevoir pellet / Junta tapa depósito pellet | 21.00 |
| 31 | 41801657900 | Magneti (pz.2) / Magnet (pcs.2) / Magnet (stk. 2) / Aimant (pcs.2) / Imán (pz.2) | 22.00 |
| 32 | 41411876251 | Coperchio completo / Complete cover / Kompletter Deckel / Couvercle complet / Tapadera completa | 90.00 |
| 32 | 41801701400 | Logo MCZ / MCZ logo / MCZ logo / MCZ logo / MCZ logo | 18.00 |
| 33 | 41301400560 | Top in ghisa / Cast iron top / Topplatte aus Guß / Dessus en fonte / Top de arrabio | 111.00 |
| 34 | 41301502900V | Frontalino superiore in ghisa / Cast iron upper panel / Obere Platte aus Guss / Plaque supérieure en fonte / Panel superior de arrabio | 86.00 |

MUSA COMFORT AIR 12 UP! M1 UF

Gruppo camera di combustione / Combustion chamber group / Verbrennungskammer Gruppe / Group de chambre de combustion / Grupo cámara de combustión

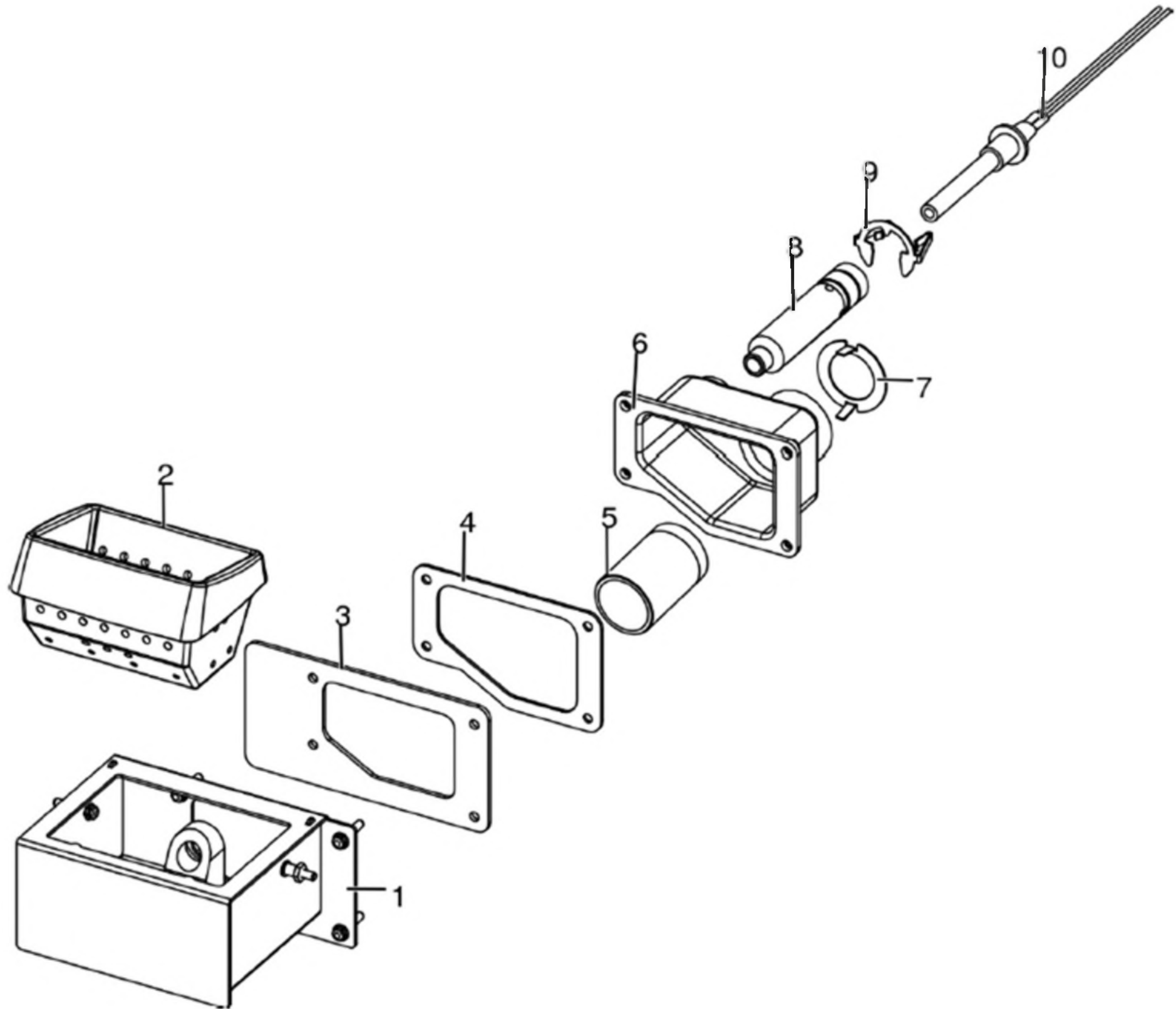


| N° | Codice/Code | Descrizioni / Description / Beschreibung / Description / Descripcion | Prezzo (€) |
|----|--------------|--|------------|
| 1 | 41411634830V | Griglia focolare / Fire Box Grille / Feuerstellenrost / Grille Foyer / Rejilla Hogar | 29.00 |
| 2 | 41301502400V | Braciere ghisa / Cast iron grate / Brennertopf aus Gusseisen / Brasero en fonte / Brasero en arrabio | 51.00 |
| 3 | 41411613530V | Deflettore pellet / Pellet deflector / Pellet Leitblech / Deflecteur pellet / Deflector pellet | 23.00 |
| 4 | 41301502500V | Fianco ghisa / Cast iron side / Seite aus Guß / Côté en fonte / Placa lateral de arrabio | 49.00 |
| 5 | 41301502600V | Schiena ghisa / Cast iron back / Rückwand aus Gusseisen / Dossieret en fonte / Parte trasera en arrabio | 71.00 |
| 6 | 41411615430V | Deflettore aria / Air deflector / Luftleitblech / Défecteur aire / Deflector aire | 26.00 |
| 7 | 41151600200 | Deflettore focolare in vermiculite / Vermiculite deflector / Leitblech aus Vermiculite / Défecteur en vermiculite / Deflector en vermiculite | 22.00 |

MCZ GROUP

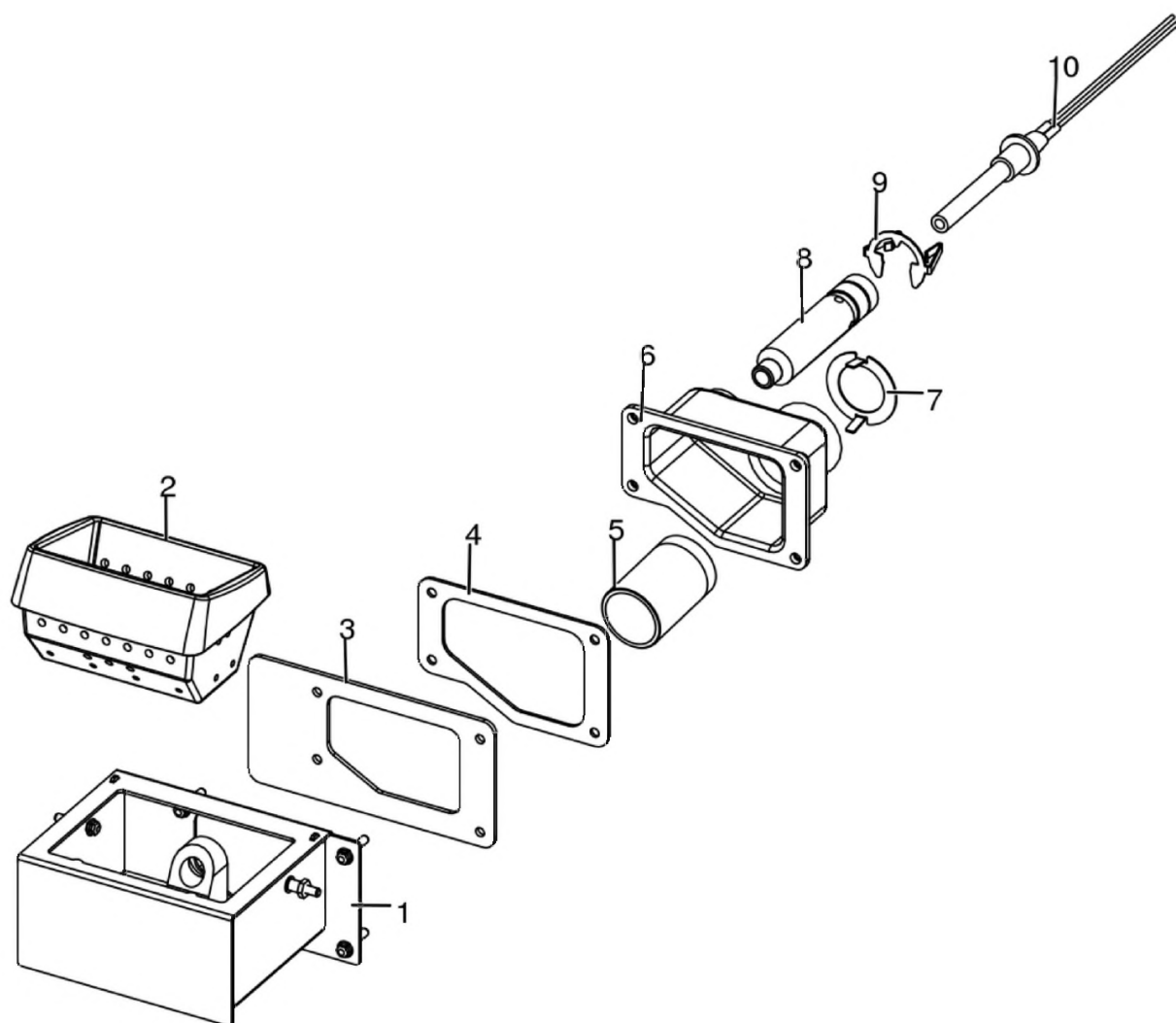
MUSA COMFORT AIR 12 UP! M1 UF

Gruppo accensione / Ignition group / Entzündung Gruppe / Groupe d'allumage / Grupo ignición



MUSA COMFORT AIR 12 UP! M1 UF

Gruppo accensione / Ignition group / Entzündung Gruppe / Groupe d'allumage / Grupo ignición

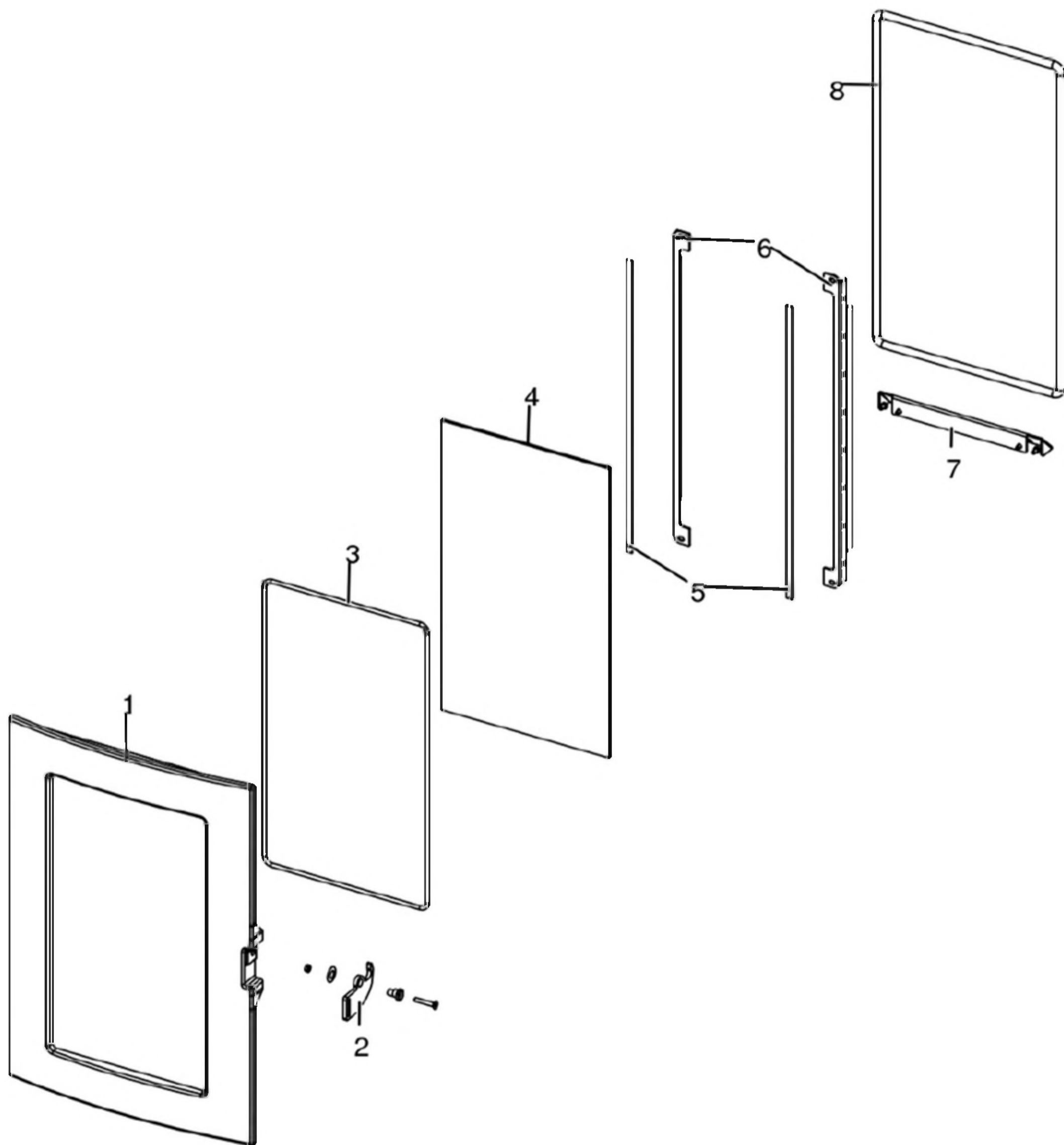


| N° | Codice/Code | Descrizioni / Description / Beschreibung / Description / Descripción | Prezzo (€) |
|----|--------------|---|------------|
| 1 | 41411613140V | Tasca braciere / Combustion pot container / Brenntopfkasten / Récipient brasero / Contenidor brasero | 79.00 |
| 2 | 41301502400V | Braciere ghisa / Cast iron grate / Brenntopf aus Gusseisen / Brasero en fonte / Brasero en arrabio | 51.00 |
| 3 | 41801601500 | Guarnizione tasca braciere / Combustion pot container gasket / Brenntopfkasten Dichtung / Joint récipient brasero / Junta contenidor brasero | 18.00 |
| 4 | 41801602300 | Guarniziona codolo / Gasket / Dickung / Joint / Junta | 19.00 |
| 5 | 41501701599 | Manicotto potenziamento accensione / Combustion air extension pipe / Zusatzrohr für Nachrüstung / Tuyau amélioration allumage / Tubo impulso de encendido | 26.00 |
| 6 | 41311803500 | Codolo / Tool chuck / Einspannschaft / Outil d'emmanchement / Mango | 44.00 |
| 7 | 41401629410 | Regolatore ingresso aria comburente / Combustion air intake adjuster / Regler Eingang Verbrennungsluft / Régulateur arrivée air comburant / Regulador entrada aire comburente | 18.00 |
| 8 | 41601601000 | Condotto candeletta / Sparkplug Conduit / Zündkerzenkanal / Conduit Bougie / Conducto Bujia | 27.00 |
| 9 | 41201601500 | Anello arresto candeletta / Sparkplug stop / Zündkerzestopper / Butée bougie / Tope bujia | 24.00 |
| 10 | 41451308101 | Candeletta 315 Watt / Sparkplug 315 Watt / Zündkerze 315 Watt / Bougie 315 Watt / Bujia 315 Watt | 77.00 |
| 10 | 41451308150 | Kit 25 candelette 315 Watt / 25 Sparkplugs 315 Watt kit / Bausatz 25 Zündkerzen 315 Watt / Kit 25 Bougies 315 Watt / Kit 25 Bujias 315 Watt | 1,637.00 |

MCZ GROUP

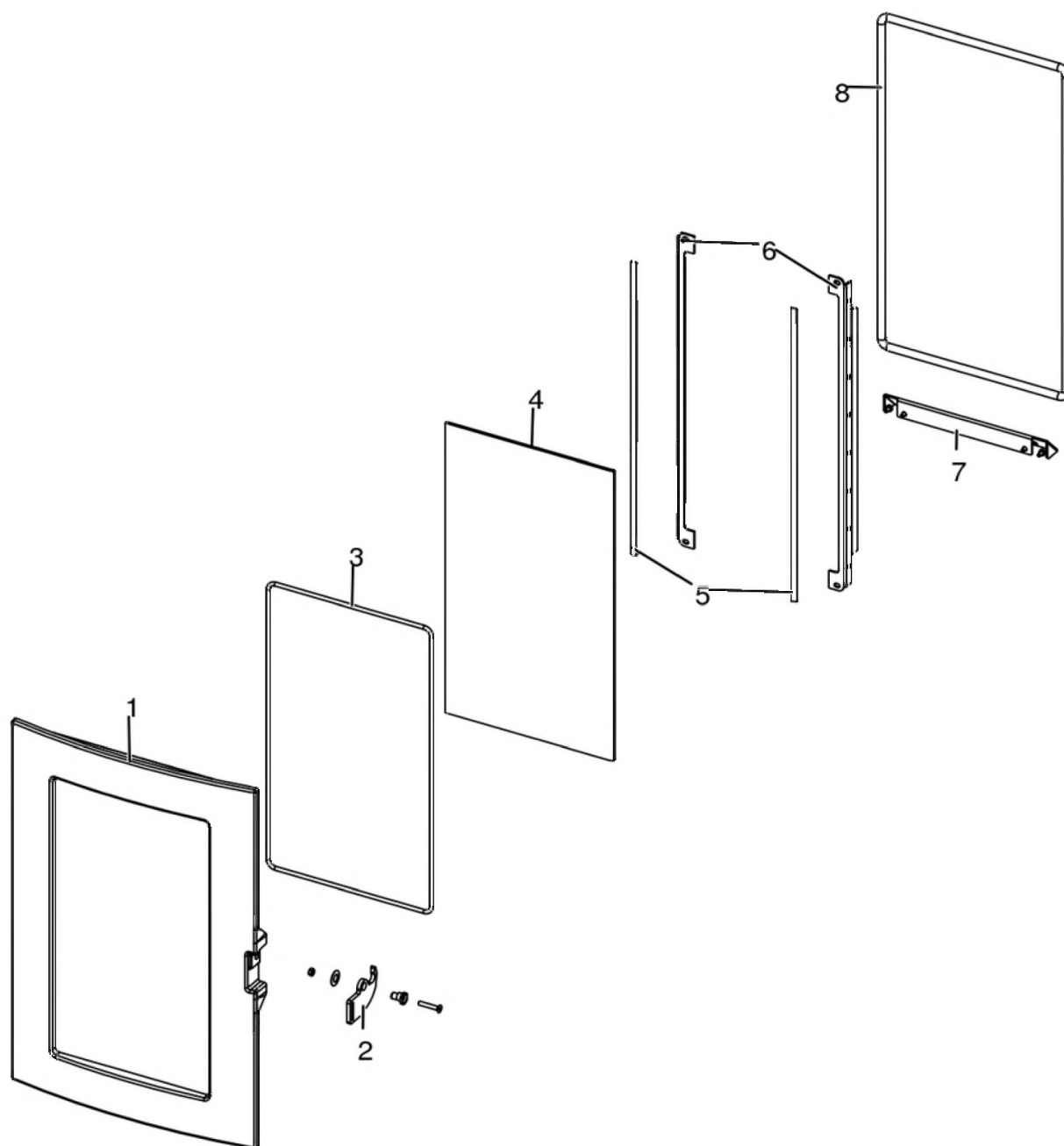
MUSA COMFORT AIR 12 UP! M1 UF

Porta fuoco / Fire door / Feuertür / Porte foyer / Puerta hogar



MUSA COMFORT AIR 12 UP! M1 UF

Porta fuoco / Fire door / Feuertür / Porte foyer / Puerta hogar



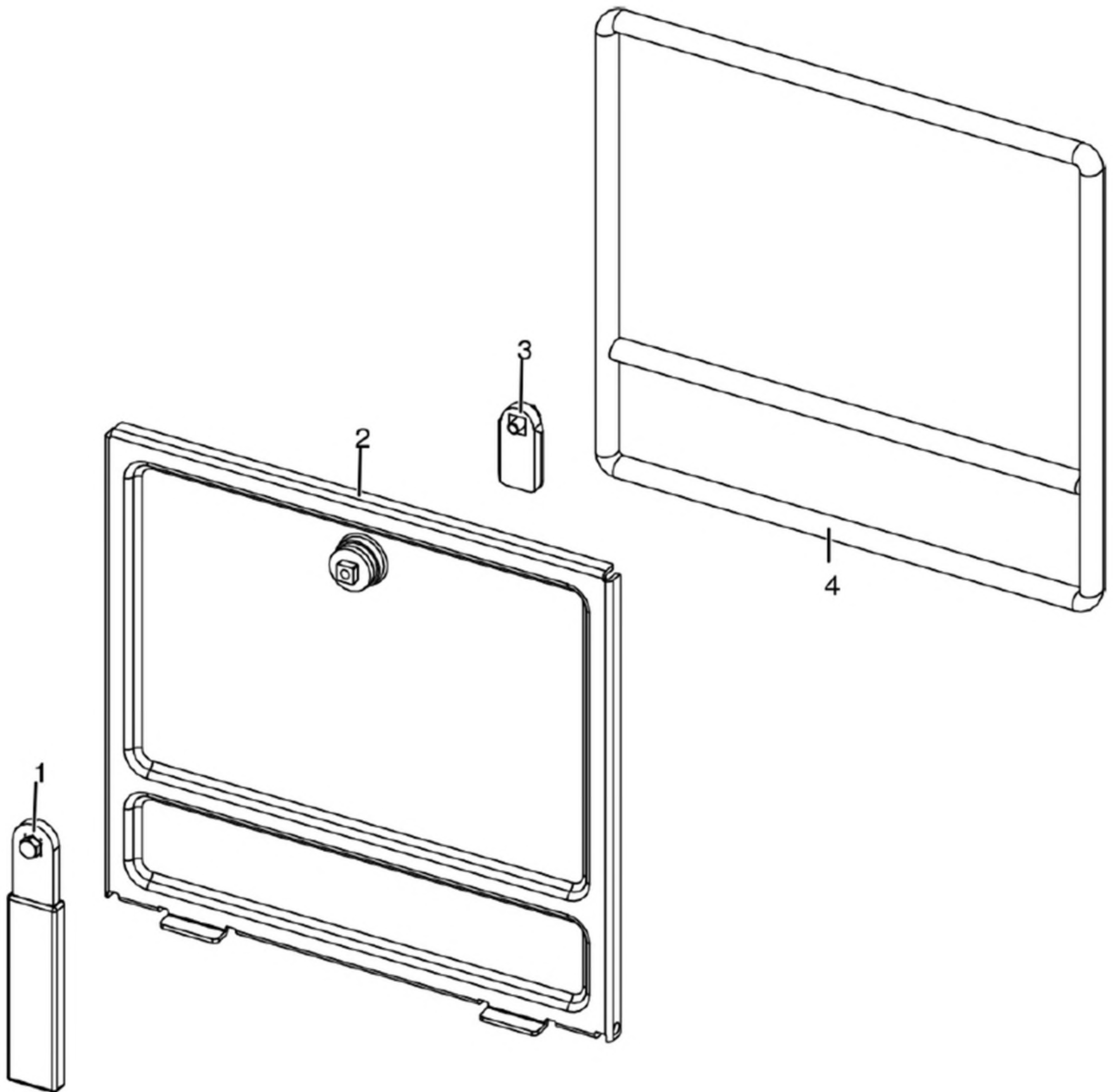
| N° | Codice/Code | Descrizioni / Description / Beschreibung / Description / Descripción | Prezzo (€) |
|----|--------------|--|------------|
| 1 | 41301600500V | Telaio porta fuoco in ghisa / Cast iron fire door frame / Feuertürrahment aus Guß / Cadre porte foyer en fonte / Armazón puerta hogar de arrabio | 179.00 |
| 2 | 41401424160 | Maniglia completa / Complete handle / Kompletter Griff / Poignée complète / Tirador completo | 25.00 |
| 3 | 41801603300A | Guarnizione Ø5 5mt / Gasket Ø5 5mt / Dichtung Ø5 5mt / Joint Ø5 5mt / Junta Ø5 5mt | 42.00 |
| 3 | 41801603300B | Guarnizione Ø5 50mt / Gasket Ø5 50mt / Dichtung Ø5 50mt / Joint Ø5 50mt / Junta Ø5 50mt | 299.00 |
| 3 | 41801603300C | Guarnizione Ø5 5mt + silicone / Gasket Ø5 5mt + silic / Dichtung Ø5 5mt + Silikon / Joint Ø5 5mt + silic / Junta Ø5 5mt | 63.00 |
| 4 | 41701600300 | Vetroceramico porta ghisa / Cast iron door glass / Glaskeramikscheibe Tür aus Gusseise / Vitrocéremique porte en fonte / Cristal cerámico puerta en arrabio | 79.00 |
| 5 | 4120573A | Guarnizione a nastro 8 mm (5 mt.) per porta / Door strip gasket 8 mm (5 m) / Türbanddichtung 8 mm (5 m) / Joint ruban 8 mm (5 m) pour porte / Guarnición de cinta para puerta 8 mm (5 m) | 32.00 |
| 5 | 4120573B | Guarnizione a nastro 8 mm (50 mt.) per porta / Door strip gasket 8 mm (50 m) / Türbanddichtung 8 mm (50 m) / Joint | 162.00 |

| | | | |
|----------|---------------------|--|---------------|
| | | ruban 8 mm (50 m) pour porte / Guarnición de cinta para puerta 8 mm (50 m) | |
| 6 | 41411622030V | Profilo fermavetro / Fastening bracket profile / Haltebügel für Scheibebefestigung Profil / Profil patte de fixation / Perfil fermacristal | 37.00 |
| 7 | 41411622130V | Scivolo cenere / Ash ramp / Aschenrutsche / Glissèrie cendre / Tobogán ceniza | 37.00 |
| 8 | 4120104A | Cordino fibroceramico Ø 12 mm (5 mt.) / Ceramic fibre cord Ø 12 mm (5 m.) / Keramikfaserschnur Ø 12 mm (5 m) / Cordon en fibre céramique Ø 12 mm (5 m) / Junta a cuerda de fibra cerámica Ø 12 mm (5 m) | 36.00 |
| 8 | 4120104B | Cordino fibroceramico Ø 12 mm (50 mt.) / Ceramic fibre cord Ø 12 mm (50 m.) / Keramikfaserschnur Ø 12 mm (50 m) / Cordon en fibre céramique Ø 12 mm (50 m) / Junta a cuerda de fibra cerámica Ø 10 mm (52 m) | 210.00 |
| 8 | 41201041 | Kit sostituzione cordino (cordino+silicone) Ø 12 mm / Cord replacement kit (cord + silicon) Ø 12 mm / Schnuraustauschsatz (Schnur+Silikon) Ø 12 mm / Kit remplacement cordon (cordon + silicone) Ø 12 mm / Kit sustitución junta a cuerda (junta a cuerda+silicón) Ø 12 mm | 50.00 |

MCZ GROUP

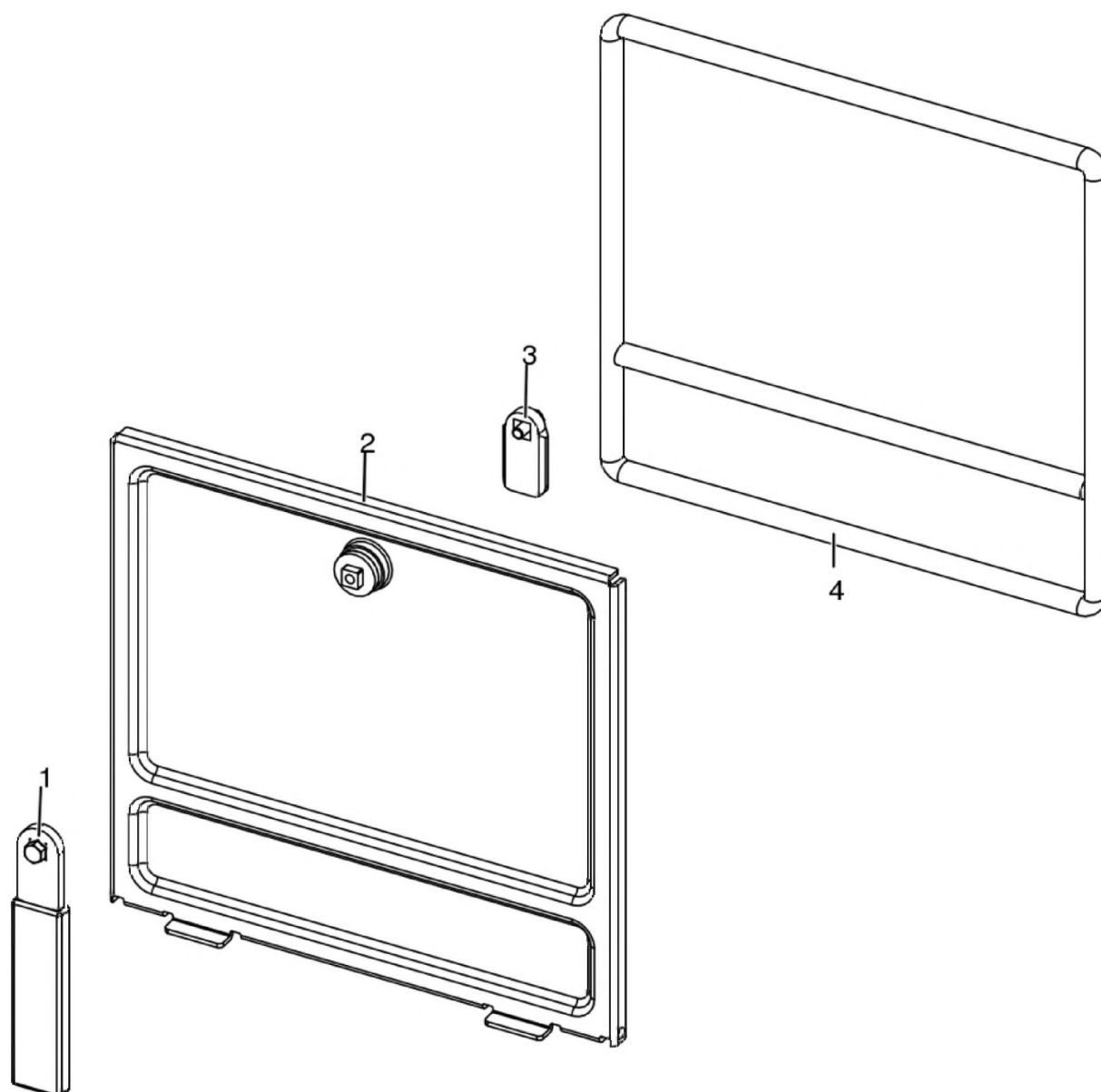
MUSA COMFORT AIR 12 UP! M1 UF

Porta cenere / Ash door / Ashentür / Porte cendre / Puerta ceniza



MUSA COMFORT AIR 12 UP! M1 UF

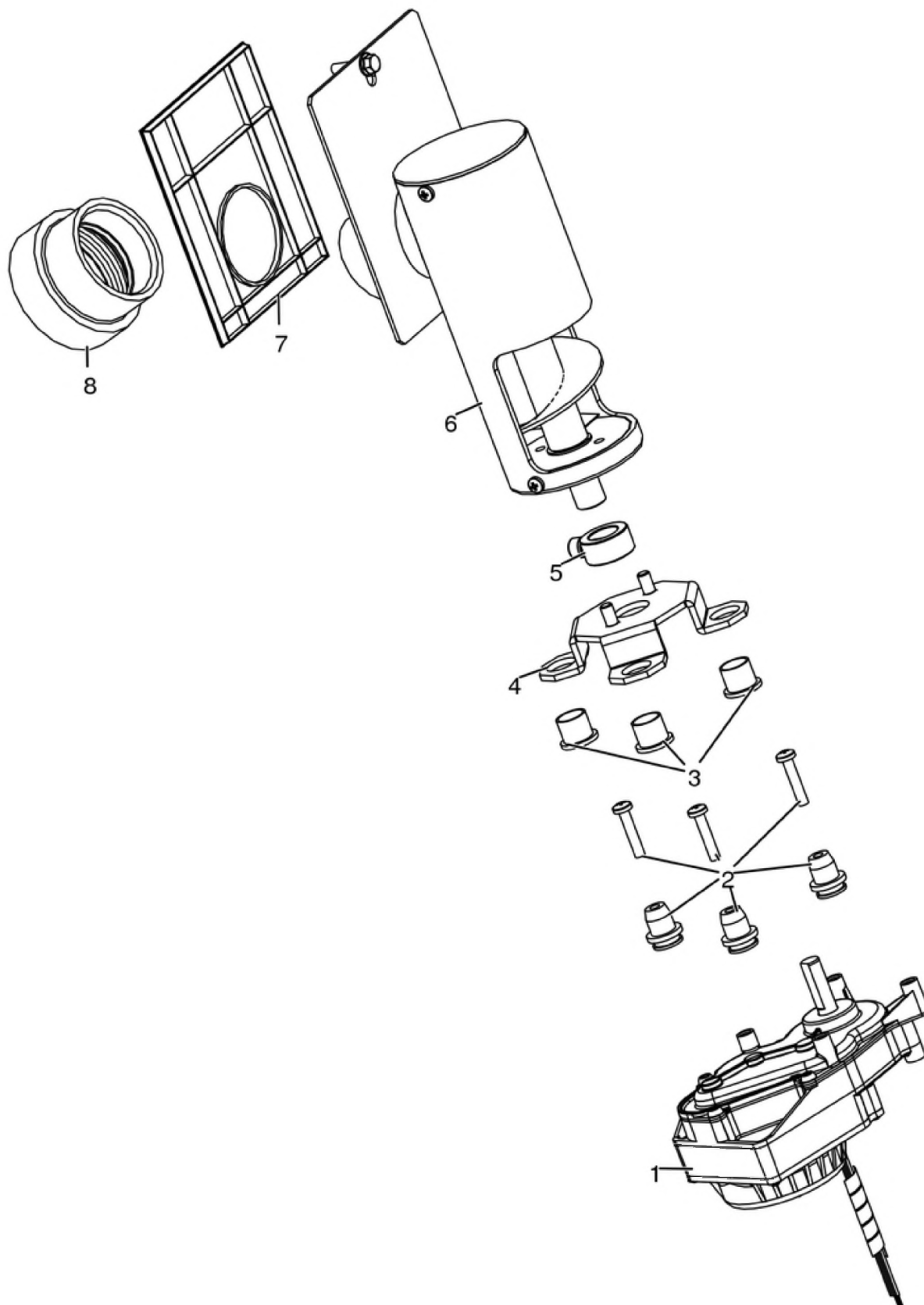
Porta cenere / Ash door / Ashentür / Porte cendre / Puerta ceniza



| N° | Codice/Code | Descrizioni / Description / Beschreibung / Description / Descripción | Prezzo (€) |
|----|--------------|--|------------|
| 1 | 41411621600 | Maniglia con impugnatura porta cenere / Handle / Griff / Poignée / Tirador | 20.00 |
| 2 | 41421602141V | Porta cenere / Ash drawer door / Tür des Aschenkastens / Porte tiroir à cendres / Puerta cajón ceniza | 57.00 |
| 3 | 41201608400 | Serratura porta cassetto cenere / Door lock for ash drawer / Türschloss für Aschenkasten / Serrure de porte du tiroir à cendres / Cerradura puerta cajón ceniza | 20.00 |
| 4 | 412007003A | Cordino fibroceramico Ø 14 mm (5 mt.) / Ceramic fibre cord Ø 14 mm (5 m.) / Keramikfaserschnur Ø 14 mm (5 m) / Cordon en fibre céramique Ø 14 mm (5 m) / Junta a cuerda de fibra cerámica Ø 14 mm (5 m) | 44.00 |
| 4 | 412007003B | Cordino fibroceramico Ø 14 mm (50 mt.) / Ceramic fibre cord Ø 14 mm (50 m.) / Keramikfaserschnur Ø 14 mm (50 m) / Cordon en fibre céramique Ø 14 mm (50 m) / Junta a cuerda de fibra cerámica Ø 14 mm (50 m) | 300.00 |
| 4 | 412007003C | Kit sostituzione cordino (cordino+silicone) Ø 14 mm / Cord replacement kit (cord + silicon) Ø14 mm / Schnuraustauschsatz (Schnur +Silikon) Ø 14 mm / Kit remplacement cordon (cordon+silicon) Ø 14 / Kit sustitución junta a cuerda (junta a cuerda+silicon) Ø 14 mm | 70.00 |

MUSA COMFORT AIR 12 UP! M1 UF

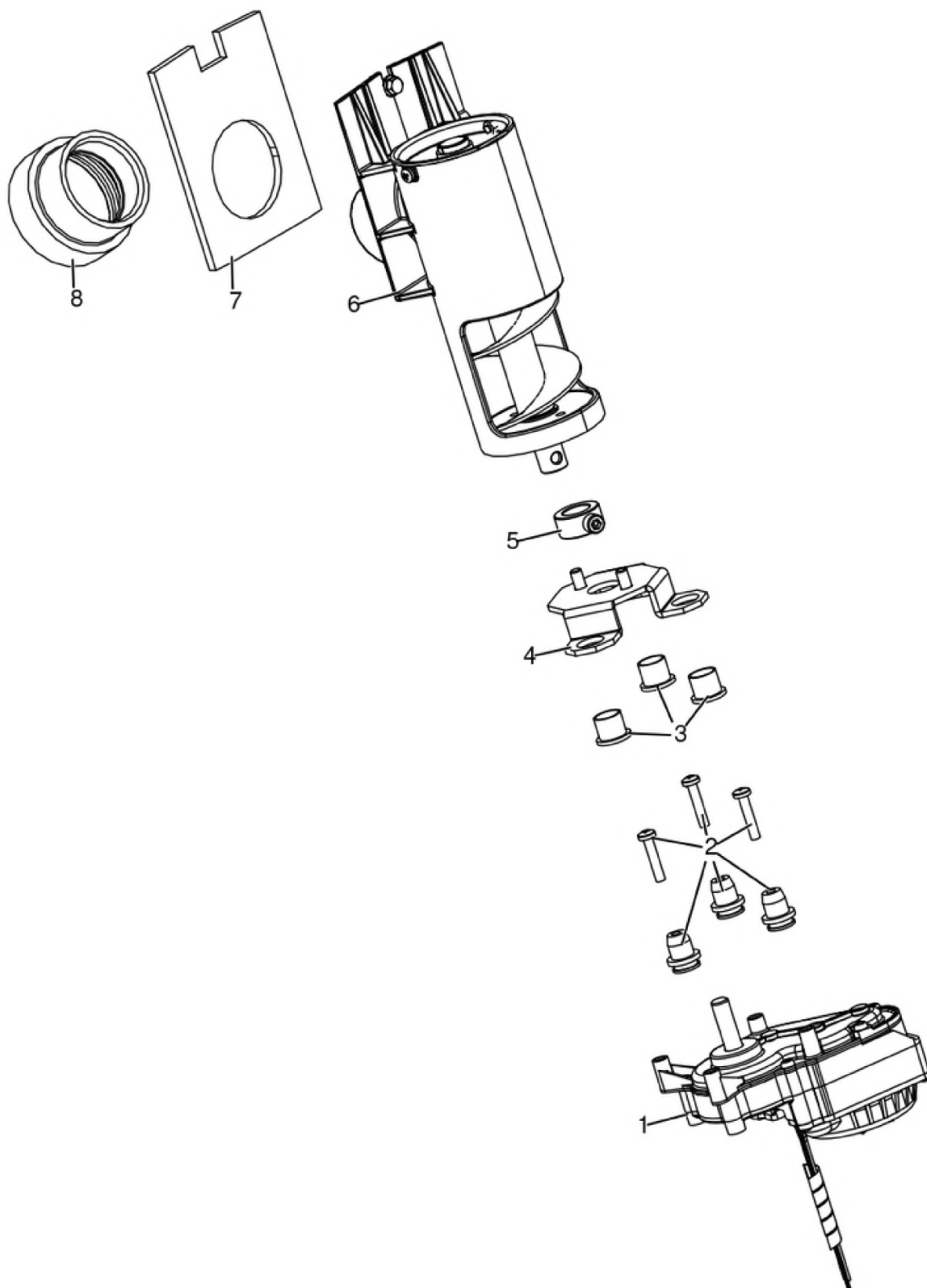
Gruppo caricamento pellet acciaio / Pellet feed group in steel / Pellet Fördergruppe aus Stahl / Groupe de chargement pellet en acier / Grupo de carga pellet acero



| N° | Codice/Code | Descrizioni / Description / Beschreibung / Description / Descripcion | Prezzo (€) |
|----|-------------|--|------------|
| 1 | 41451702200 | Motoriduttore brushless / Brushless reduction motor / Brushless Getriebemotor / Motoréducteur brushless / Motorreductor brushless | 111.00 |
| 2 | 41801703700 | Gommini antivibrante / Vibration damper rubber / Rammschutz Gummi / Caoutchouc antivibratoire / Cauchitos antivibración | 17.00 |
| 3 | 41201800700 | Boccola (3 pz) / Bushing (3 pcs) / Buchse (3 Stk) / Douille (3 pcs) / Abrazadera (3 pzs) | 17.00 |
| 4 | 41411779331 | Supporto coclea "Ragno" / Pellet feed screw bracket "spider" / "Spinne" Schenke Gestell / Support vis sans fin "Araignée" / Soporte coclea "Araña" | 55.00 |
| 5 | 4120398 | Connettore motoriduttore-coclea / Reduction motor-feed screw connector / Verbindung Getriebemotor-Schnecke / Connecteur motoréducteur-vis sans fin / Conector motorreductor-cóclea | 22.00 |
| 6 | 41411800151 | Gruppo alimentazione completo / Complete feed screw / Komplette Förderschnecke / Vis sans fin complète / Coclea de carga completa | 113.00 |
| 7 | 41801600400 | Guarnizione gruppo caricamento / Gasket / Dichtung / Joint / Junta | 20.00 |
| 8 | 41801702600 | Disaccoppiatore mesc. Marrone / Brown disengaging device / Braun Verängungsrohr / Tuyau de découplage maron / Tubo de desvío marron | 18.00 |

MUSA COMFORT AIR 12 UP! M1 UF

Gruppo caricamento pellet alluminio / Pellet feed group aluminium / Pellet Fördergruppe Aluminium /
Groupe de chargement pellet aluminium / Grupo de carga pellet aluminio

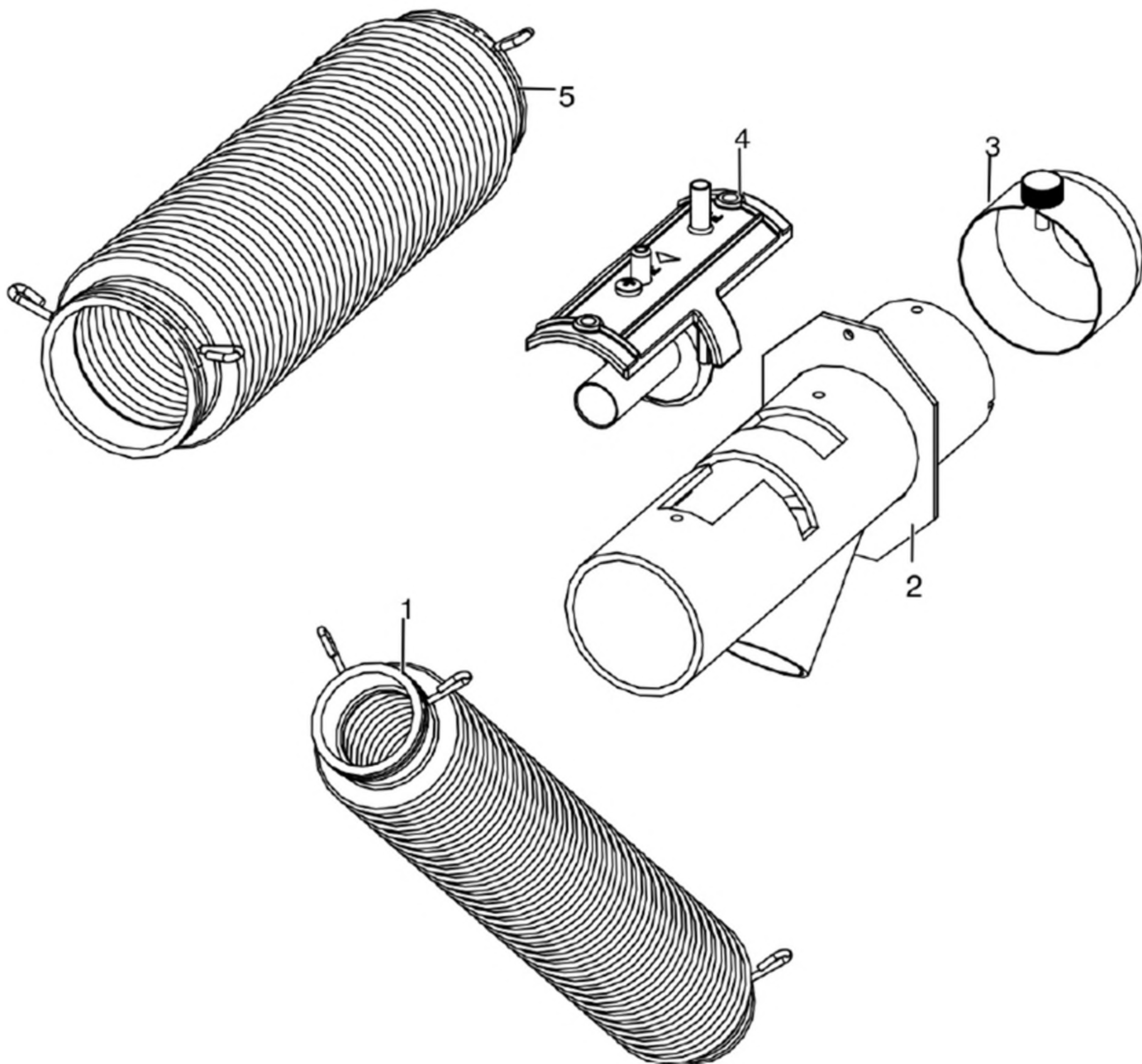


| N° | Codice/Code | Descrizioni / Description / Beschreibung / Description / Descripcion | Prezzo (€) |
|----|-------------|--|------------|
| 1 | 41451702200 | Motoriduttore brushless / Brushless reduction motor / Brushless Getriebemotor / Motoréducteur brushless / Motorreductor brushless | 111.00 |
| 2 | 41801703700 | Gommini antivibrante / Vibration damper rubber / Rammschutz Gummi / Caoutchouc antivibratoire / Cauchitos antivibración | 17.00 |
| 3 | 41201800700 | Boccola (3 pz) / Bushing (3 pcs) / Buchse (3 Stk) / Douille (3 pcs) / Abrazadera (3 pzs) | 17.00 |
| 4 | 41411779331 | Supporto coclea "Ragno" / Pellet feed screw bracket "spider" / "Spinne" Schenke Gestell / Support vis sans fin "Araignée" / Soporte coclea "Araña" | 55.00 |
| 5 | 4120398 | Connettore motoriduttore-coclea / Reduction motor-feed screw connector / Verbindung Getriebemotor-Schnecke / Connecteur motoréducteur-vis sans fin / Conector motorreductor-cóclea | 22.00 |
| 6 | 41402002050 | Gruppo alimentazione / Complete feed screw / Komplette Förderschnecke / Vis sans fin complète / Coclea de carga completa | 98.00 |
| 7 | 41802000300 | Guarnizione / Gasket / Dichtung / Joint / Junta | 11.00 |
| 8 | 41801702600 | Disaccoppiatore mesc. Marrone / Brown disengaging device / Braun Verängungsrohr / Tuyau de découplage maron / Tubo de desvío marron | 18.00 |

MCZ GROUP

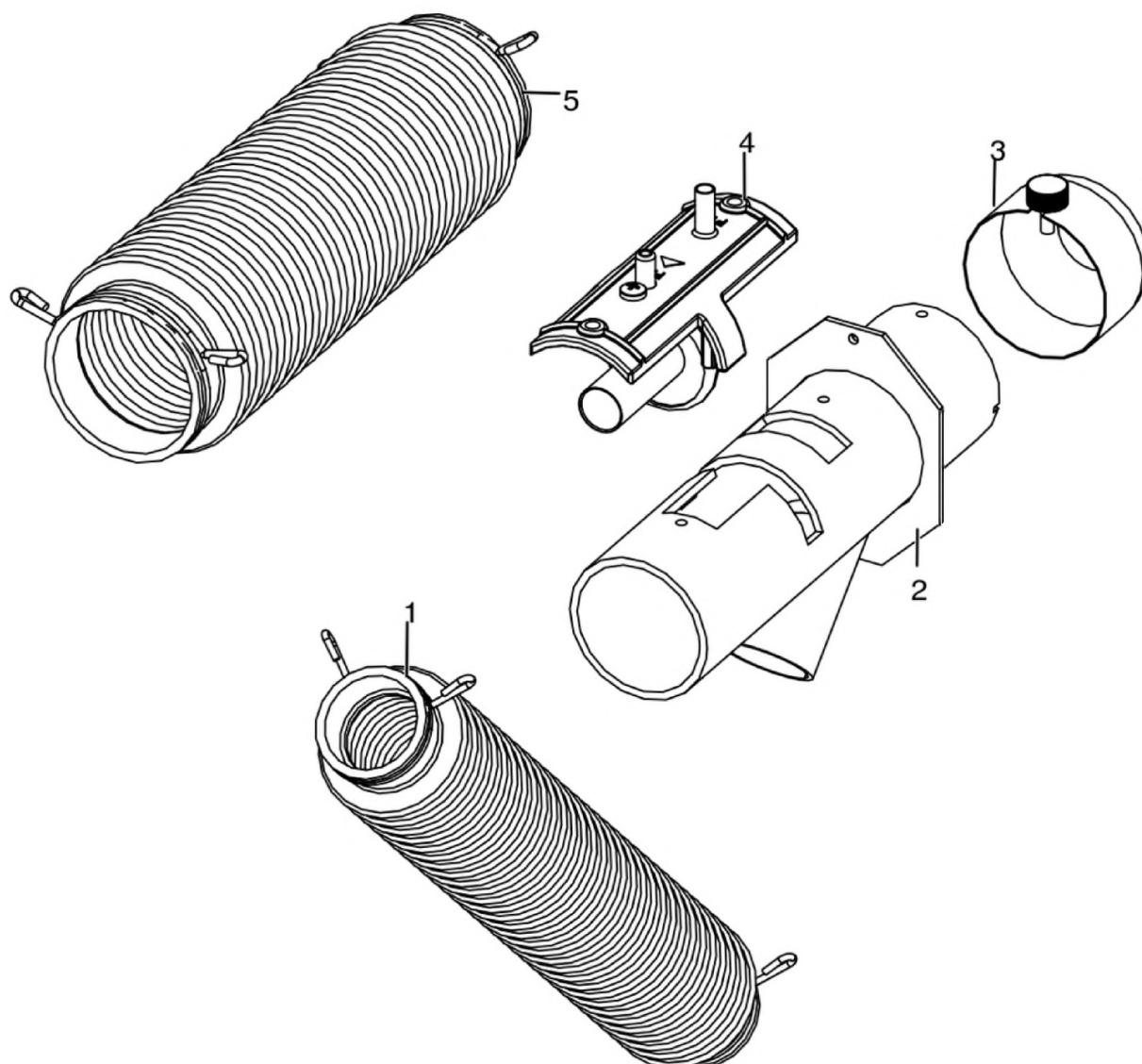
MUSA COMFORT AIR 12 UP! M1 UF

Gruppo aria comburente / Combustion air group / Verbrennungsluft Gruppe / Groupe air comburant / Grupo aire comburente



MUSA COMFORT AIR 12 UP! M1 UF

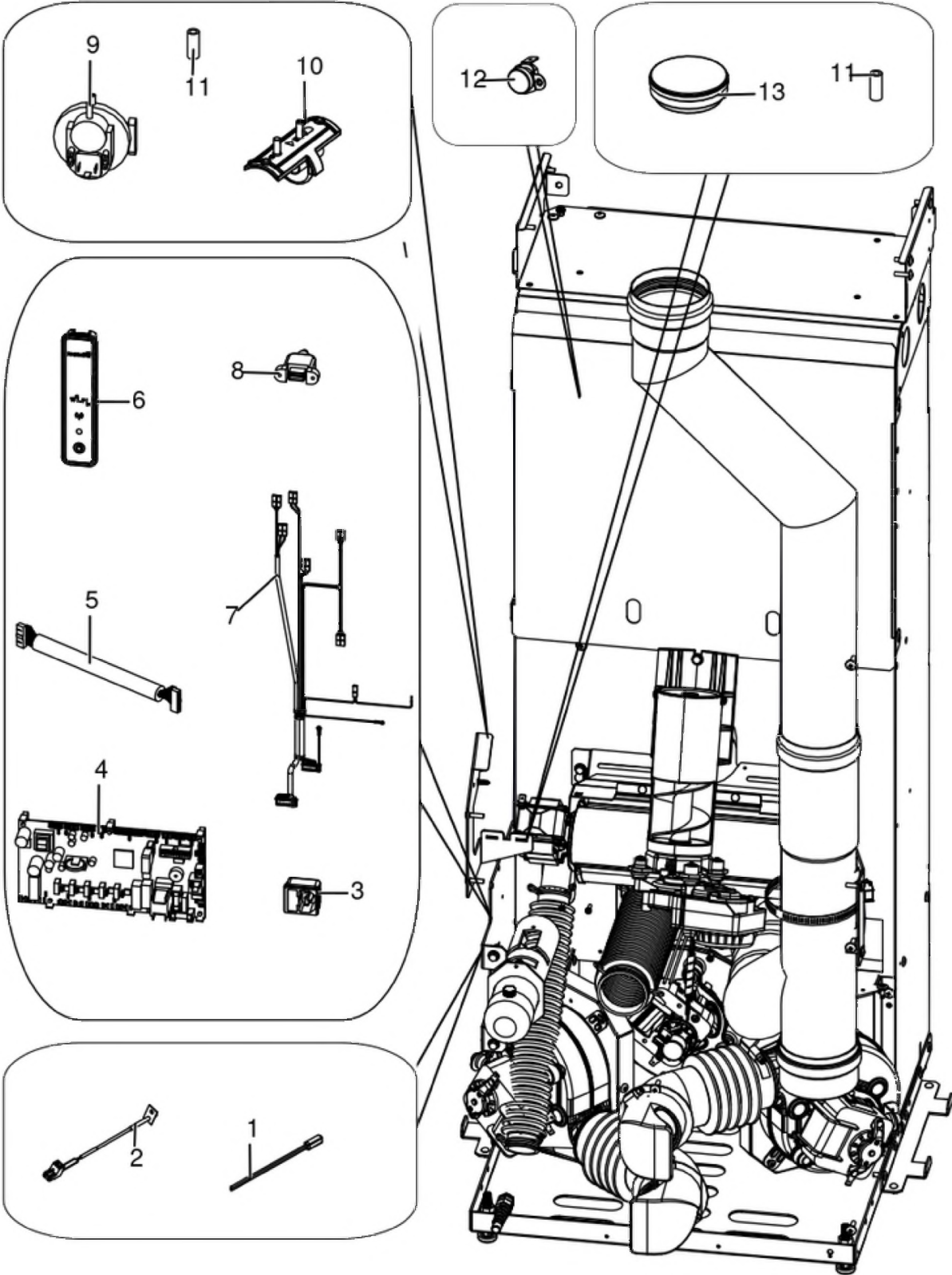
Gruppo aria comburente / Combustion air group / Verbrennungsluft Gruppe / Groupe air comburant / Grupo aire comburente



| N° | Codice/Code | Descrizioni / Description / Beschreibung / Description / Descripción | Prezzo (€) |
|----|-------------|--|------------|
| 1 | 41801601900 | Tubo aspirazione pulizia vetro / Inlet pipe for cleaning glass air / Glassreinigungslufteingangsrohr / Tuyau entrée pour l'aire de nettoyage du verre / Tubo entrada por l'aire de limpieza vidrio | 62.00 |
| 2 | 41601604461 | Tubo aspirazione / Air inlet pipe / Lufteingangsrohr / Tuyau entrée d'air / Tubo entrada aire | 42.00 |
| 3 | 41401036100 | Filtro antipolvere / Anti-dust filter / Staubschutzfilter / Filtre antipoussière / Filtro de protección polvo | 21.00 |
| 4 | 41601301850 | Componente rilevamento portata aria / Air flow measure component / Bauteil für Messung der Luftmenge / Composent pour la mesuration de la quantité d'air / Componente por la medida de l'aire | 34.00 |
| 5 | 41801601700 | Tubo aspirazione camera combustione / Combustion chamber aspiration tube / Verbrennungskammer Förderrohr / Tuyau aspiration air chambre de combustion / Tubo aspiración aire cámara de combustión | 28.00 |

MUSA COMFORT AIR 12 UP! M1 UF

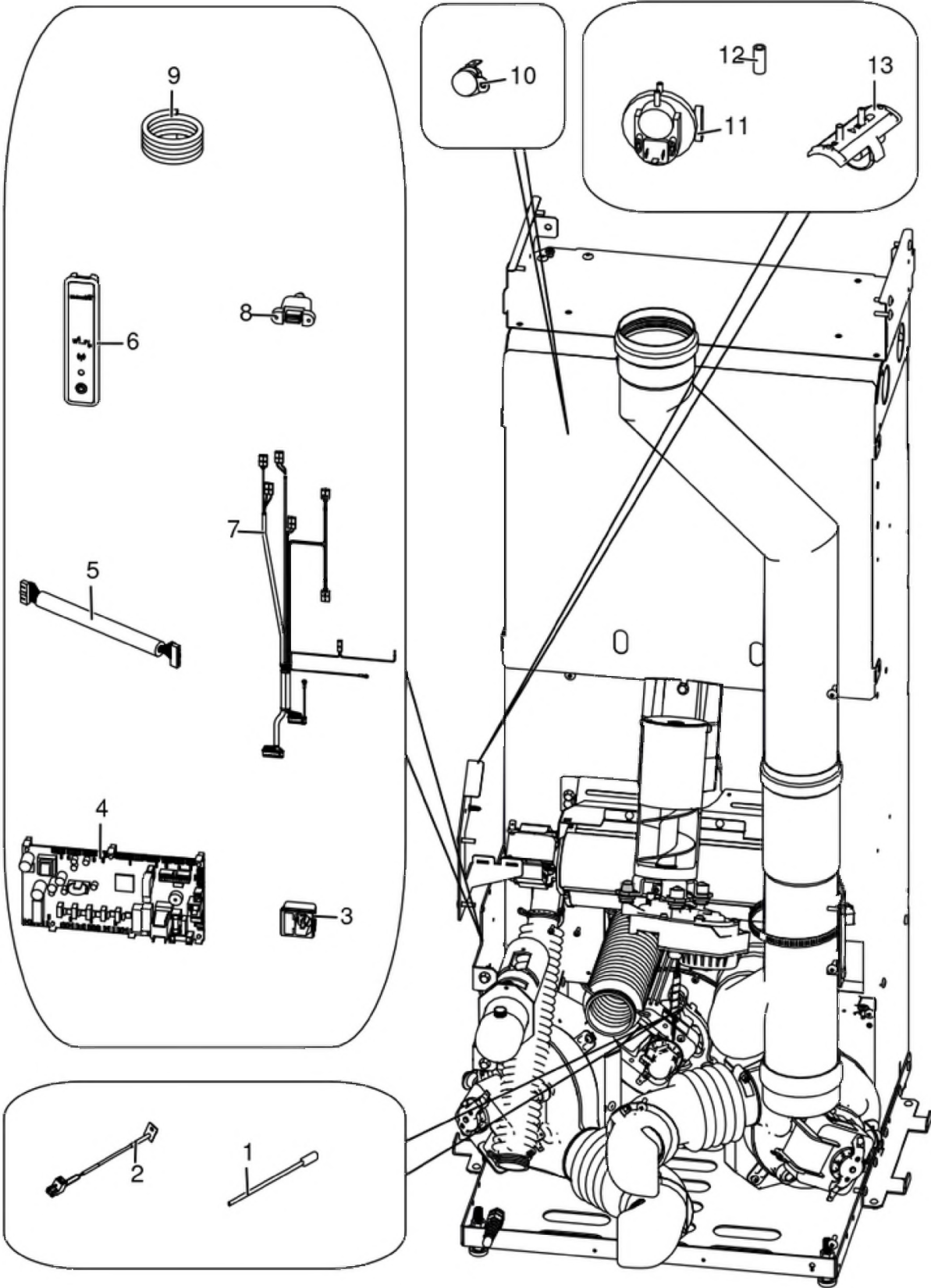
Gruppo elettrico ed elettronico fino al SN 2104010020012 escluso / Electrical and electronic group up to SN 2104010020012 excluded / Elektrische und elektronische Gruppe bis zur SN 2104010020012 ausgeschlossen / Group électrique et électronique jusqu'au NS 2104010020012 exclue / Grupo eléctrico y electrónico hasta NS 2104010020012 excluso



| N° | Codice/Code | Descrizioni / Description / Beschreibung / Description / Descripcion | Prezzo (€) |
|----|-------------|---|------------|
| 1 | 4160386 | Sonda temperatura ambiente/acqua / Room/Water temperature sensor / Raum- Wassertemperaturfühler / Sonde température ambiance/eau / Sonda temperatura ambiente/agua | 21.00 |
| 2 | 41451703600 | Sonda fumi con flangia con morsettiera L.980 / Smoke sensor with flange with terminal board L.980 / Rauchsonde mit Flansche mit Klemmenbrett L.980 / Sonde fumées avec bride avec serre-câble L.980 / Sonda humos con brida con borne L.980 | 23.00 |
| 3 | 41451104100 | Presà con fusibile / Socket with fuse / Steckdose mit Sicherung / Prise avec fusible / Toma con fusible | 14.00 |
| 4 | 41451802200 | Scheda elettronica / Electronic board / Elektronische Platine / Carte electronique / Tarjeta electronica | 140.00 |
| 5 | 41451801600 | Cavo flat 20 vie L.600 mm / Flat cable 20 pin L.600 mm / Flat-Kabel 20polig L.600 mm / Cable flat 20 voies L.600 mm / Flat cable 20 vias L.600 mm | 24.00 |
| 6 | 41451602802 | Pannello di emergenza Wireless / Wireless emergency display / Wireless Notfall-Blende / Panneau d'urgence wireless / Panel emergencia wireless | 100.00 |
| 7 | 41451801402 | Cablaggio / Wiring / Verkabelung / Câblage / Cableado | 65.00 |
| 7 | 41452000500 | Cavo motoriduttore / Reduction motor cable / Kabel Getriebemotor / Câble motoréducteur / Cable motorreductor | 26.00 |
| 8 | 41451403200 | Cavo USB da pannello L.500 / USB Cable from display L.500 / USB Kabel von Notfalldisplay L.500 / Câble USB de panneau L.500 / Cable USB del panel L.500 | 21.00 |
| 9 | 41451003700 | Pressostato / Pressure switch / Druckschalter / Pressostat / Presostato | 40.00 |
| 10 | 41601301850 | Componente rilevamento portata aria / Air flow measure component / Bauteil für Messung der Luftmenge / Composent pour la mesuration de la quantité d'air / Componente por la medida de l'aire | 34.00 |
| 11 | 4120631A | Tubicino siliconico - 5m / Silicon tube - 5m / Silikonrohr - 5m / Petit tuyau en silicone - 5m / Tubo silicónico - 5m | 22.00 |
| 12 | 412007004 | Clickson 110°C / Clickson 110°C / Clickson 110°C / Clickson 110°C / Clickson 110°C | 20.00 |
| 13 | 41451303400 | Trasduttore di pressione / Pressure transducer / Active-Wandler / Transducteur de pression / Transductor de pression | 58.00 |

MUSA COMFORT AIR 12 UP! M1 UF

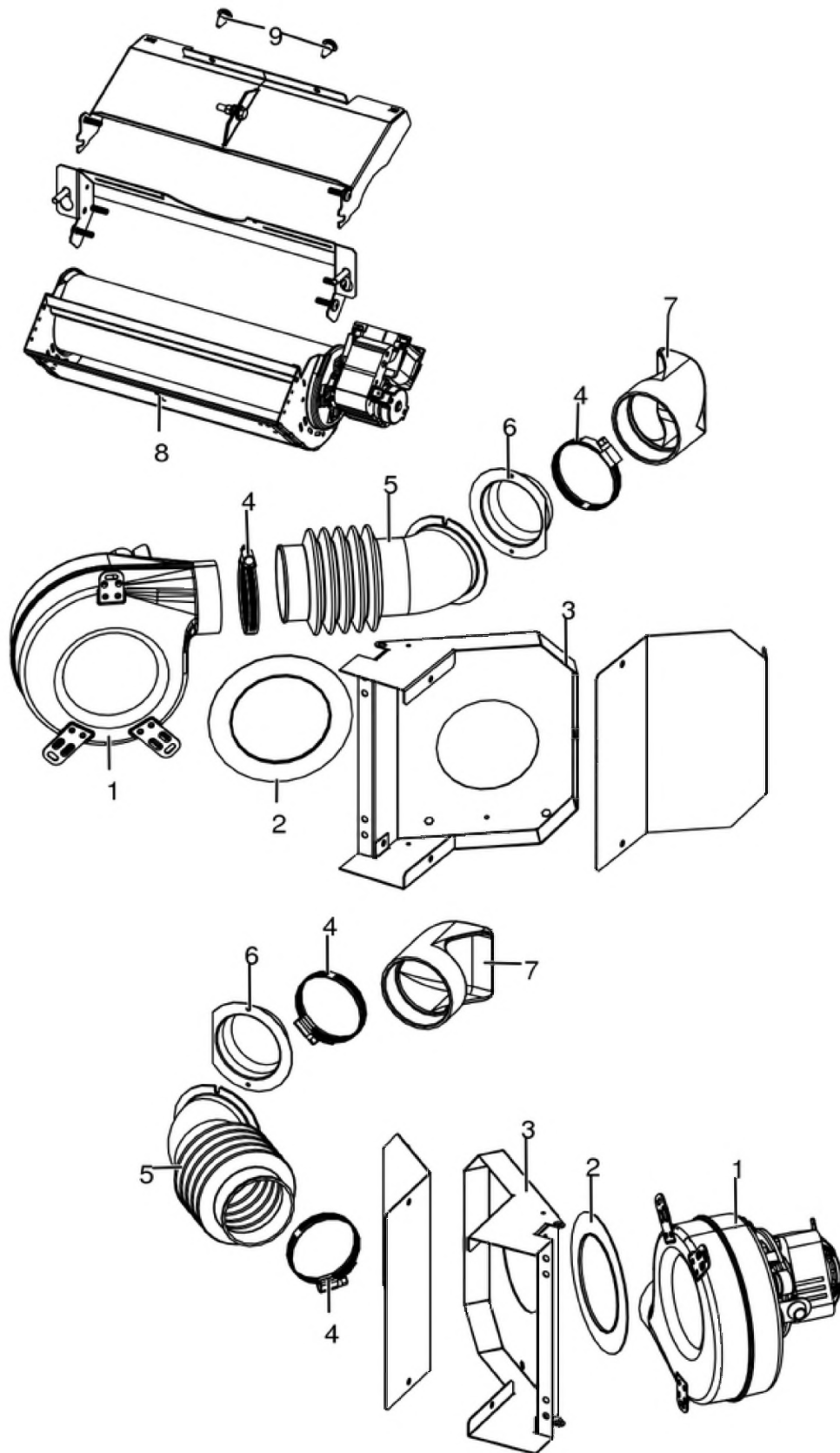
Gruppo elettrico ed elettronico dal SN 2104010020012 incluso / Electrical and electronic group from SN 2104010020012 included / Elektrische und elektronische Gruppe ab SN 2104010020012 eingeschlossen / Group électrique et électronique à partir du NS 2104010020012 incluse / Grupo eléctrico y electrónico a partir de NS 2104010020012 incluido



| N° | Codice/Code | Descrizioni / Description / Beschreibung / Description / Descripcion | Prezzo (€) |
|----|--------------|---|------------|
| 1 | 4160386 | Sonda temperatura ambiente/acqua / Room/Water temperature sensor / Raum- Wassertemperaturfühler / Sonde température ambiance/eau / Sonda temperatura ambiente/agua | 21.00 |
| 2 | 41451703600 | Sonda fumi con flangia con morsettiera L.980 / Smoke sensor with flange with terminal board L.980 / Rauchsonde mit Flansche mit Klemmenbrett L.980 / Sonde fumées avec bride avec serre-câble L.980 / Sonda humos con brida con borne L.980 | 23.00 |
| 3 | 41451104100 | Presca con fusibile / Socket with fuse / Steckdose mit Sicherung / Prise avec fusible / Toma con fisibile | 14.00 |
| 4 | 41451904300 | Scheda madre / Motherboard / Hauptplatine / Carte mère / Tarjeta madre | 230.00 |
| 4 | 41451904300A | Sensirion / Sensirion / Sensirion / Sensirion / Sensirion | 40.00 |
| 5 | 41451801600 | Cavo flat 20 vie L.600 mm / Flat cable 20 pin L.600 mm / Flat-Kabel 20polig L.600 mm / Cable flat 20 voies L.600 mm / Flat cable 20 vias L.600 mm | 24.00 |
| 6 | 41451602802 | Pannello di emergenza Wireless / Wireless emergency display / Wireless Notfall-Blende / Panneau d'urgence wireless / Panel emergencia wireless | 100.00 |
| 7 | 41451800302 | Cablaggio elettrico / Electrical wiring / Elektrische Verkabelung / Câblage électrique / Cableado eléctrico | 69.00 |
| 7 | 41452000500 | Cavo motoriduttore / Reduction motor cable / Kabel Getriebemotor / Câble motoréducteur / Cable motorreductor | 26.00 |
| 8 | 41451403200 | Cavo USB da pannello L.500 / USB Cable from display L.500 / USB Kabel von Notfalldisplay L.500 / Câble USB de panneau L.500 / Cable USB del panel L.500 | 21.00 |
| 9 | 41801902500 | Spirale Rilsan (30 m.) / Rilsan spiral (30 m.) / Spirale Rilsan (30 M.) / Spirale Rilsan (30 m.) / Espiral Rilsan (30 m.) | 174.00 |
| 9 | 41801902500A | Spirale Rilsan (5 spire) / Rilsan spiral (5 coils) / Spirale Rilsan (5 Windungen) / Spirale Rilsan (5 spires) / Espiral Rilsan (5 espire) | 26.00 |
| 10 | 412007004 | Clickson 110°C / Clickson 110°C / Clickson 110°C / Clickson 110°C / Clickson 110°C | 20.00 |
| 11 | 41451003700 | Pressostato / Pressure switch / Druckschalter / Pressostat / Presostato | 40.00 |
| 12 | 4120631A | Tubicino siliconico - 5m / Silicon tube - 5m / Silikonrohr - 5m / Petit tuyau en silicone - 5m / Tubo silicónico - 5m | 22.00 |
| 13 | 41601301850 | Componente rilevamento portata aria / Air flow measure component / Bauteil für Messung der Luftmenge / Composent pour la mesuration de la quantité d'air / Componente por la medida de l'aire | 34.00 |

MUSA COMFORT AIR 12 UP! M1 UF

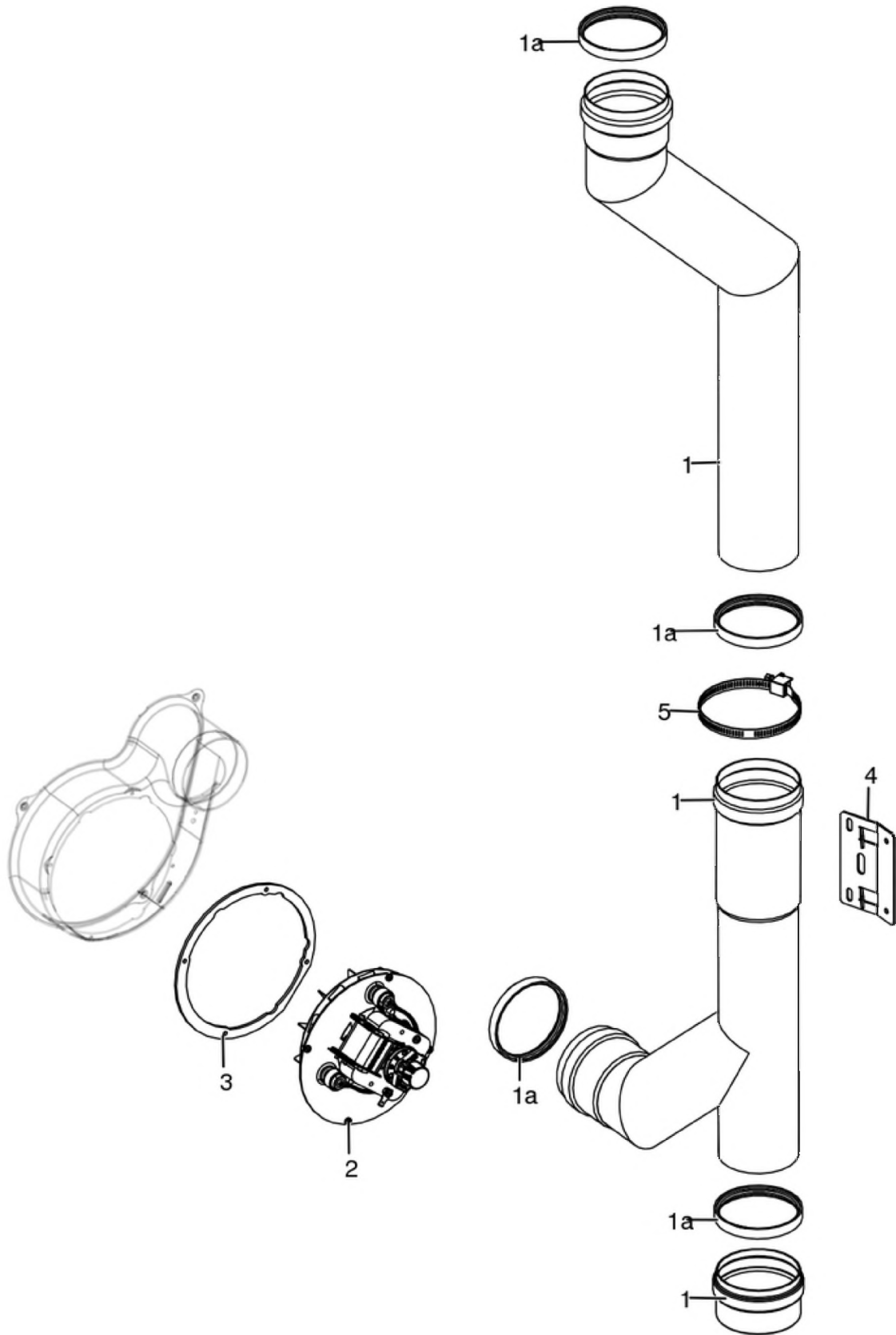
Gruppo ventilazione / Ventilation group / Lüftungsgruppe / Groupe de ventilation / Grupo de ventilación



| N° | Codice/Code | Descrizioni / Description / Beschreibung / Description / Descripcion | Prezzo (€) |
|----|-------------|---|------------|
| 1 | 41451503300 | Ventilatore centrifugo / Air fan / Luftgebläse / Ventilateur air / Ventilador aire | 76.00 |
| 2 | 41801601600 | Guarnizione ventilatore / Fan gasket / Dichtung des Gebläses / Joint du ventilateur / Junta ventilador | 17.00 |
| 3 | 41401624731 | Convogliatore C/Air / Conveyor C/Air / Blech C/Air / Convoyeur C/Air / Conductor C/Air | 46.00 |
| 4 | 41200902000 | Fascette Ø 64-76 mm (2 pz) / Clamps Ø 64-76 mm (2 pcs) / Rohrschellen Ø 64-76 mm (2 Stck) / Colliers Ø 64-76 mm (2 pcs) / Bandas Ø 64-76 mm (2 pzs) | 20.00 |
| 5 | 41801601100 | Tubo uscita aria silicone / Outlet air tube in silicone / Luftausgangrohr aus Silikon / Tuyau de sortie air en silicone / Tubo de salida aire en silicona | 23.00 |
| 6 | 4011011 | Flangia Ø 6 / Flange Ø 6 / Flansch Ø 6 / Bride Ø 6 / Brida Ø 6 | 9.00 |
| 7 | 41801605300 | Bocchetta posteriore in silicone / Silicone rear air outlet / Luftauslass aus Silikon / Diffuseur air en silicone / Boquilla aire en silicona | 24.00 |
| 8 | 41451600800 | Ventilatore aria / Air fan / Luftgebläse / Ventilateur air / Ventilador aire | 76.00 |
| 9 | 41801002300 | Paracolpi in silicone Ø 8/5 (2pz) / Silicone bumpers Ø 8/5 (2pcs) / Schlagschutzgummi Ø 8/5 (2 Stck) / Pièces silicone antichoc Ø 8/5 (2pcs) / Anti-golpes en silicona Ø 8/5 (2pzs) | 18.00 |

MUSA COMFORT AIR 12 UP! M1 UF

Gruppo fumi / Smoke group / Rauchgruppe / Groupe fumées / Grupo de humos



| N° | Codice/Code | Descrizioni / Description / Beschreibung / Description / Descripcion | Prezzo (€) |
|-----------|--------------------|--|--------------|
| 1 | 41601806400 | Tubo fumi Ø 80 UP! / Smoke pipe Ø 80 UP! / Rauchrohr Ø 80 UP! / Tuyau fumées Ø 80 UP! / Tubo humos Ø 80 UP! | 71.00 |
| 1a | 40120969 | Guarnizione silicone (5pz) / Silicone Gasket (5pc.) / Silikondichtung (5 St.) / Joint en silicone / Junta en silicona | 15.00 |
| 2 | 41451503200 | Ventilatore fumi stagno / Air-tight smoke exhausted fan / Luftdichtes Rauchgasgebläse / Ventilateur fumées étanche / Ventilador humos hermético | 82.00 |
| 2 | 41451209300 | Encoder per ventilatore fumi marchi LN2/SIT / Encoder for LN2/SIT smoke fan / Encoder für LN2/SIT Rauchgasgebläse / Encoder pour ventilateur des fumées marques LN2/SIT / Encoder para ventilador humos marcas LN2/SIT | 21.00 |
| 2 | 41451703000 | Encoder per ventilatore fumi marchio EBM / Encoder for EMB smoke fan / Encoder für EBM Rauchgasgebläse / Encoder pour ventilateur des fumées marque EBM / Encoder para ventilador humos marca EBM | 22.00 |
| 2 | 41452009200 | Encoder ventilatore / Fan encoder / Lüfter Encoder / Encodeur de ventilateur / Codificador de ventilador | 17.00 |
| 3 | 41801600800 | Guarnizione ventilatore fumi / Smoke exhaust fan gasket / Dichtung Rauchabsauggebläse / Joint Ventilateur aspiration fumées / Junta ventilador aspiración humos | 22.00 |
| 4 | 41401630630 | Staffa blocco tubo fumi / Smoke pipe blocking bracket / Rauchrohr Bügel / Étrier blocage du tuyau fumées / Abrazadera bloqueo de tubo humos | 18.00 |
| 5 | 4008043 | Fascette Ø 60-170 mm / Clamps Ø 60-170 mm / Rohrschellen Ø 60-170 mm / Colliers Ø 60-170 mm / Bandas Ø 60-170 mm | 6.00 |
| 5 | 4011009 | Kit fascette (4 pz) / Kit clamps (4 pcs) / Rohrschellen (4 Stk) / Kit collier (4 pcs) / Kit de bandas (4 pzs) | 0.00 |