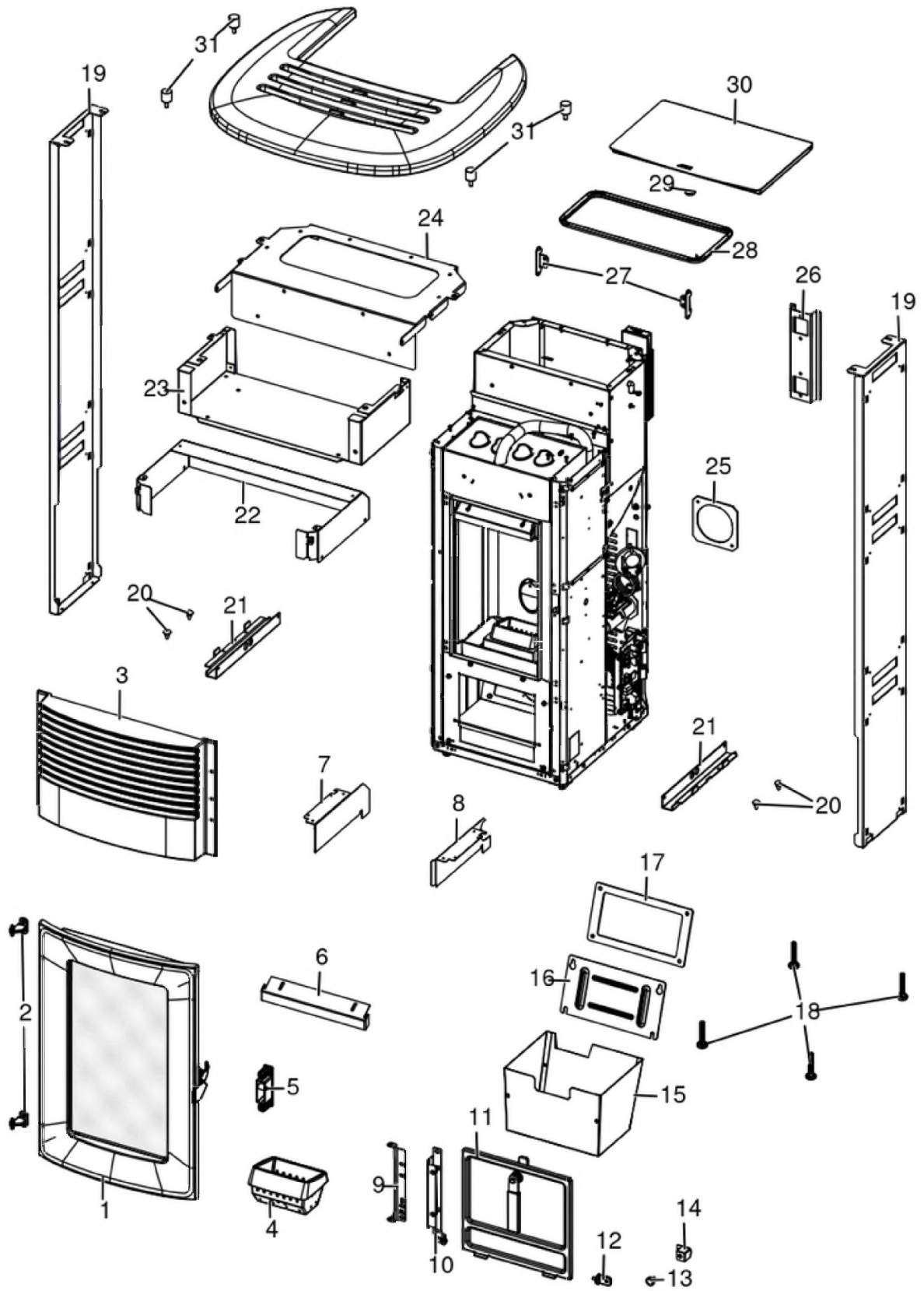


## SUITE AIR 10 M2

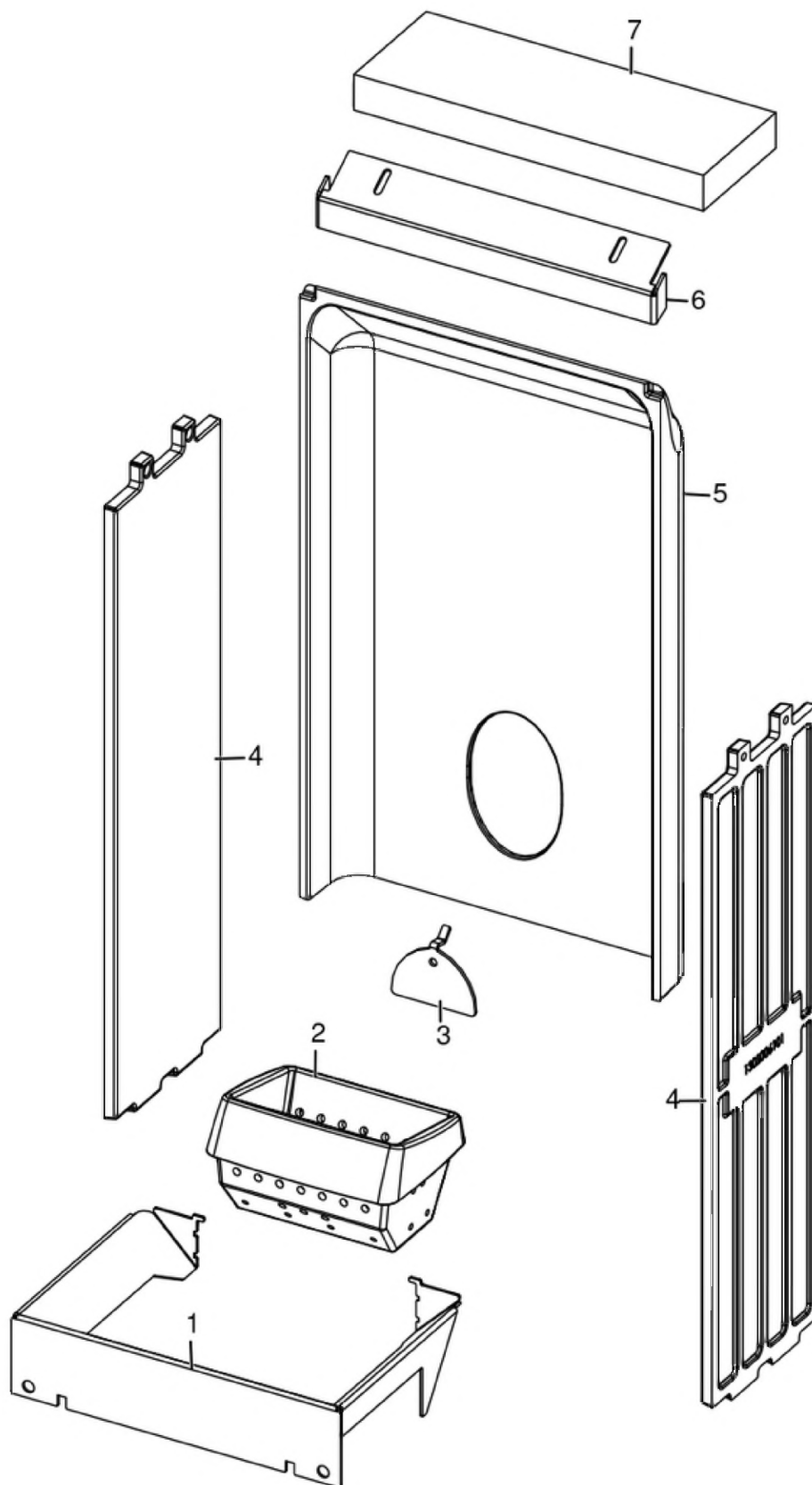
Gruppo estetico / Aesthetic group / Aesthetische Gruppe / Groupe esthétique / Grupo estético



| N° | Codice/Code   | Descrizioni / Description / Beschreibung / Description / Descripcion                                                                                                                           | Prezzo (€) |
|----|---------------|------------------------------------------------------------------------------------------------------------------------------------------------------------------------------------------------|------------|
| 1  | 41402128050   | Porta completa / Complete door / Komplette Tür / Porte complète / Puerta completa                                                                                                              | 247.00     |
| 2  | 41202006990   | Cerniera porta / Door hinge / Türscharnier / Charnière de porte / Bisagra de puerta                                                                                                            | 17.00      |
| 3  | 4130200630000 | Griglia aria in ghisa / Cast iron air grille / Luftgitter aus Guß / Grille air en fonte / Rejilla aire de arrabio                                                                              | 102.00     |
| 4  | 41301502400V  | Braciere ghisa / Cast iron grate / Brennertopf aus Gusseisen / Brasero en fonte / Brasero en arrabio                                                                                           | 51.00      |
| 5  | 41411599950   | Kit serratura ammortizzato / Pressur relief kit / Bausatz Überdruckablauf Brennkammer / Kit deocompression chambre comcusion / Kit decompression camara combustion                             | 46.00      |
| 6  | 41411615430V  | Deflettore aria / Air deflector / Luftleitblech / Déflecteur aire / Deflector aire                                                                                                             | 26.00      |
| 7  | 41401627930   | Tamponazione sx / L. filling / Abdichtung L. / Tampon G. / Taponado IZDO                                                                                                                       | 18.00      |
| 8  | 41401627830   | Tamponazione dx / R. filling / Abdichtung R. / Tampon D. / Taponado DCHO                                                                                                                       | 18.00      |
| 9  | 4140212863000 | Staffa cerniera / Hinge bracket / Scharniere Haltebügel / Etrier charnière / Soporte bisagra                                                                                                   | 20.00      |
| 10 | 41402126250   | Supporto sportello / Door braket / Türträger Klappe / Etrier porte / Soporte puerta                                                                                                            | 34.00      |
| 11 | 437016130     | Porta cenere con maniglia / Ash drawer door with handle / Tür des Aschenkastens mit Griff / Porte tiroir à cendres avec poignée / Puerta cajón ceniza con tirador                              | 83.00      |
| 12 | 41411623740V  | Cerniera acciaio porta cenere / Ash compartment door steel hinge / Aschenklappe Stahlscharnier / Charnier en acier porte compartiment cendre / Bisagra en acero puerta compartimento cenizas   | 23.00      |
| 13 | 41202007700   | Magnete / Magnet / Magnet / Aimant / Imán                                                                                                                                                      | 16.00      |
| 14 | 41402127830   | Supporto magnete / Magnet support / Magnet Halterung / Support aimant / Soporte para el imán                                                                                                   | 15.00      |
| 15 | 437016041     | Cassetto cenere / Ash drawer / Aschenkasten / Tiroir à cendres / Cajón ceniza                                                                                                                  | 56.00      |
| 16 | 41401339610   | Tappo ispezione vano fumi / Smoke compartment inspection plug / Inspektionsdeckel Rauchabzug / Clapet inspection compartiment fumées / Tapón inspección compartimento humos                    | 21.00      |
| 17 | 41800900600   | Guarnizione / Gasket / Dichtung / Joint / Junta                                                                                                                                                | 21.00      |
| 18 | 41200906660   | Piedini di appoggio (4 pz.) / Support feet (4 pcs.) / Einstellfüße (4 Stck.) / Vérins d'appui (4 p.es) / Pies de apoyo (4 piezas)                                                              | 19.00      |
| 19 | 41402128530   | Telaio supporto ceramiche / Ceramic support frame / Rahmen Keramikhaltebügel / Cadre support céramique / Armazon soporte cerámica                                                              | 63.00      |
| 20 | 41801002300   | Paracolpi in silicone Ø 8/5 (2pz) / Silicone bumpers Ø 8/5 (2pcs) / Schlagschutzgummi Ø 8/5 (2 Stck) / Pièces silicone antichoc Ø 8/5 (2pcs) / Anti-golpes en silicona Ø 8/5 (2pzs)            | 18.00      |
| 21 | 41402127730   | Staffa inferiore / Lower bracket / Hunterer Halterung / Support inférieur / Soporte inferior                                                                                                   | 35.00      |
| 22 | 41402124831   | Convogliatore superiore aria / Upper air conveyor / Obere Luftblech / Convoyeur air superieur / Conductor del aire superior                                                                    | 55.00      |
| 23 | 4140212843100 | Tetto involucro / Roof covering / Dacheindeckung / Couverture de toit / Cubierta de techo                                                                                                      | 62.00      |
| 24 | 4140212813000 | Supporto top posteriore / Rear top support / Hintere Deckelhaltebügel / Support du dessus postérieur / Soporte top posterior                                                                   | 64.00      |
| 25 | 41400904810   | Flangia tubo ingresso aria / Flange for combustion air aspiration tube / Flansch Verbrennungsluft Förderrohr / Bride tuyau aspiration air comburant / Brida tubo aspiración aire de combustión | 20.00      |
| 26 | 41402128231   | Staffa pannello comandi / Control panel bracket / Bedienblende- Haltebügel / Etrier du tableau de commandes / Abrazadera de soporte de panel de mandos                                         | 19.00      |
| 27 | 4140212903100 | Cerniera coperchio serbatoio / Hinge hopper cover / Scharniere Deckel Pelletbehälter / Charnière couvercle réservoir / Bisagra tapa depósito                                                   | 16.00      |
| 28 | 41802002701   | Guarnizione tenuta serbatoio / Pellet hopper gasket / Pelletbehälter Dichtung / Joint réservoir pellet / Junta depósito pellet                                                                 | 40.00      |
| 29 | 41801657900   | Magneti (pz.2) / Magnet (pcs.2) / Magnet (stk. 2) / Aimant (pcs.2) / Imán (pz.2)                                                                                                               | 22.00      |
| 30 | 4140212894000 | Coperchio serbatoio / Hopper cover / Deckel Pelletbehälter / Couvercle réservoir / Tapa depósito                                                                                               | 92.00      |
| 31 | 41201105600   | Antivibranti (10 pz) / anti-vibration mountings (10 pcs) / Schwingungsdämpfer (10 Stck) / Éléments antivibratoires (10 pcs) / Anti-vibraciones (10 pz)                                         | 29.00      |

## SUITE AIR 10 M2

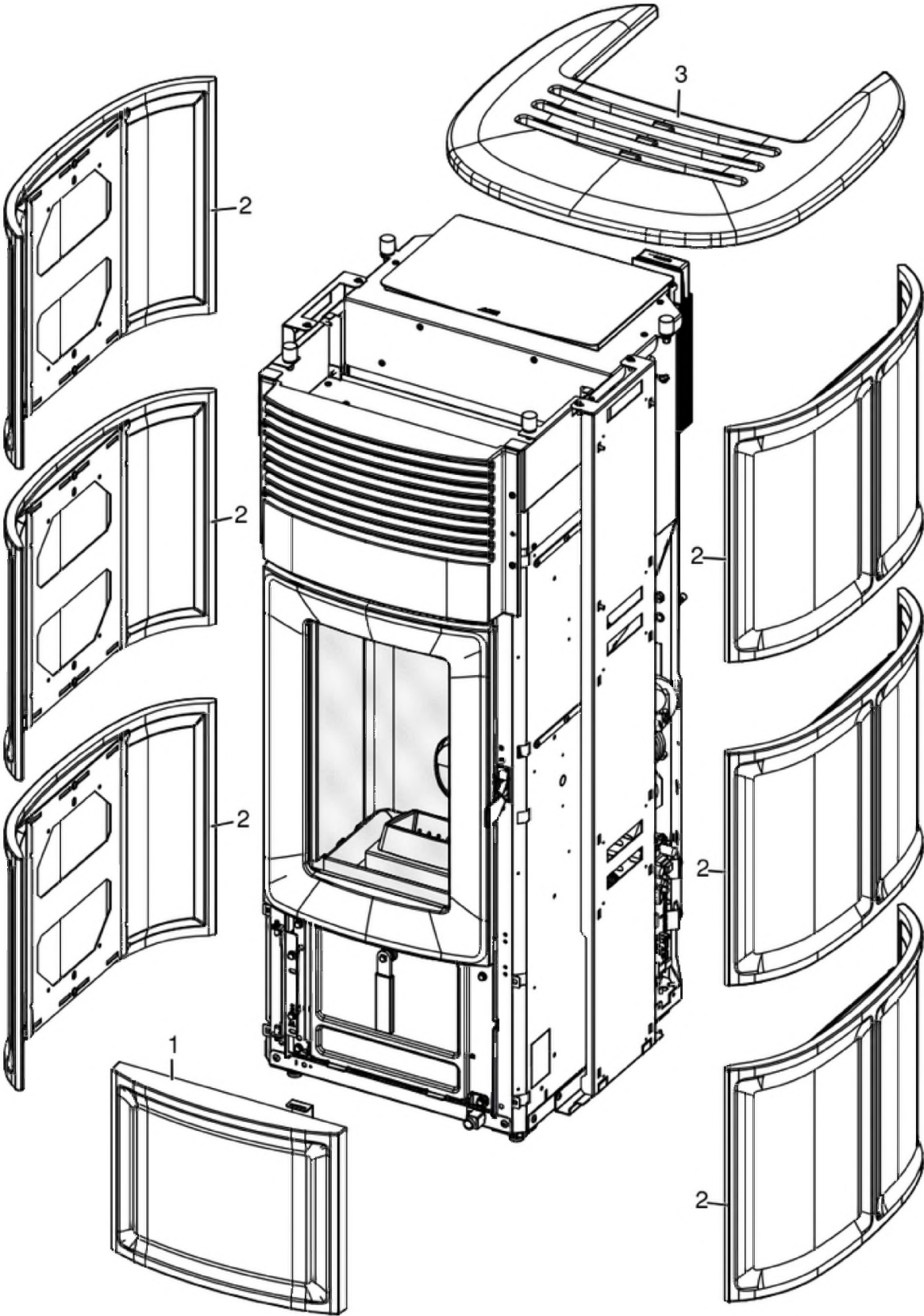
Gruppo camera di combustione / Combustion chamber group / Verbrennungskammer Gruppe / Group de chambre de combustion / Grupo cámara de combustión



| N° | Codice/Code   | Descrizioni / Description / Beschreibung / Description / Descripción                                                                         | Prezzo (€) |
|----|---------------|----------------------------------------------------------------------------------------------------------------------------------------------|------------|
| 1  | 4140212703100 | Protezione cenere / Ashes protection / Aschenschütz / Protection cendres / Protección cenizas                                                | 43.00      |
| 2  | 41301502400V  | Braciere ghisa / Cast iron grate / Brennertopf aus Gusseisen / Brasero en fonte / Brasero en arrabio                                         | 51.00      |
| 3  | 41411613530V  | Deflettore pellet / Pellet deflector / Pellet Leitblech / Deflecteur pellet / Deflector pellet                                               | 23.00      |
| 4  | 41301502500V  | Fianco ghisa / Cast iron side / Seite aus Guß / Côté en fonte / Placa lateral de arrabio                                                     | 49.00      |
| 5  | 41301502600V  | Schiena ghisa / Cast iron back / Rückwand aus Gusseisen / Dossieret en fonte / Parte trasera en arrabio                                      | 71.00      |
| 6  | 41411615430V  | Deflettore aria / Air deflector / Luftleitblech / Défecteur aire / Deflector aire                                                            | 26.00      |
| 7  | 41151600200   | Deflettore focolare in vermiculite / Vermiculite deflector / Leitblech aus Vermiculite / Défecteur en vermiculite / Deflector en vermiculite | 22.00      |

## SUITE AIR 10 M2

Rivestimento / Cladding / Verkleidung / Habillage / Paneles

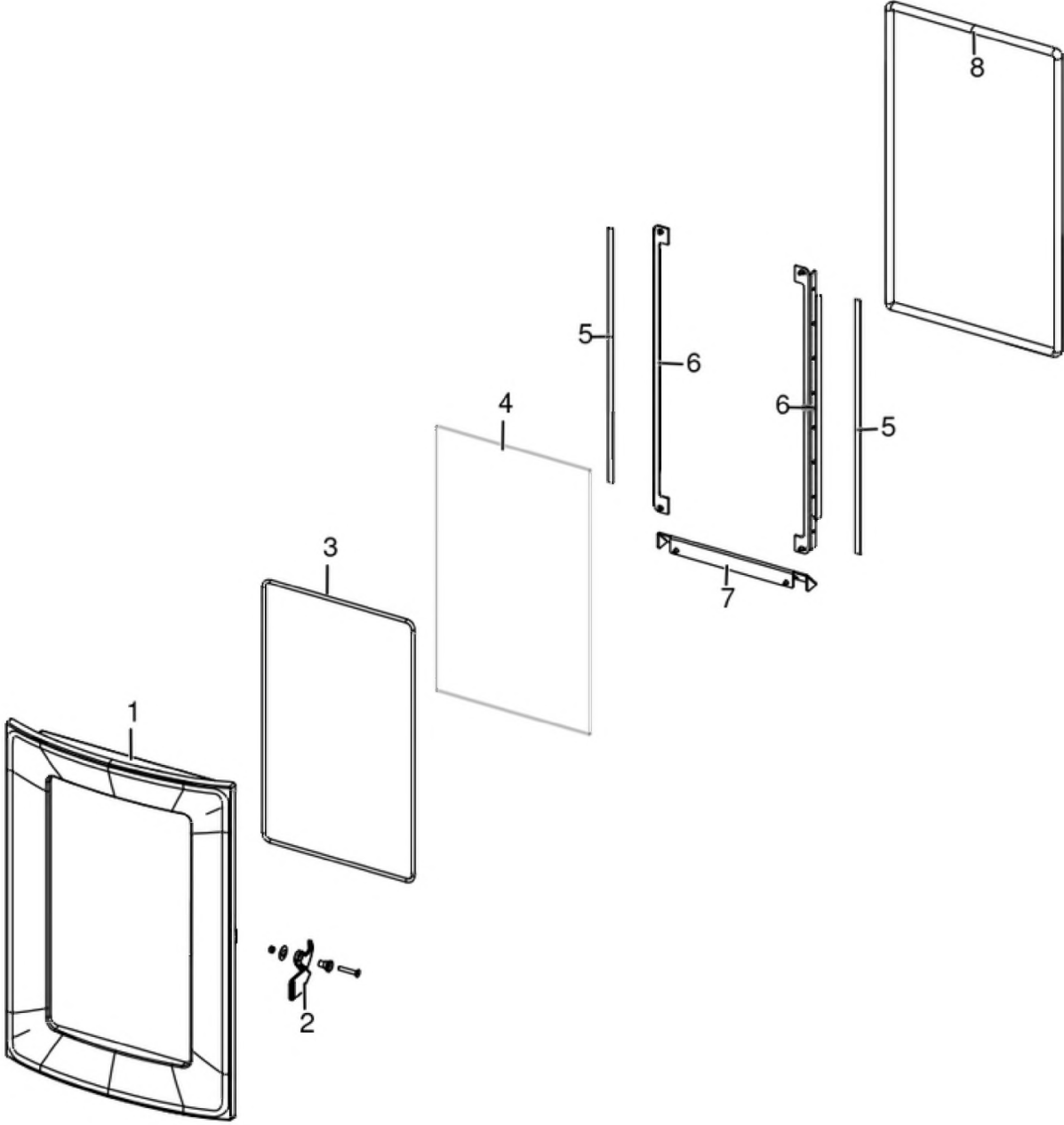


| N° | Codice/Code   | Descrizioni / Description / Beschreibung / Description / Descripcion                                                                                                                 | Prezzo (€) |
|----|---------------|--------------------------------------------------------------------------------------------------------------------------------------------------------------------------------------|------------|
| 1  | 4125201065000 | Ceramica inferiore Sale e pepe / Salt and Pepper lower ceramic / Untere Keramik Salz und Pfeffer / Carreaux inférieurs en céramique Poivre-et-Sel / Cerámica inferior Sal y Pimienta | 92.00      |
| 1  | 4125201065001 | Ceramica inferiore Bordeaux / Bordeaux lower ceramic / Untere Keramik Bordeaux / Carreaux inférieurs en céramique Bordeaux / Cerámica inferior Bordeaux                              | 92.00      |
| 1  | 4125201065002 | Ceramica inferiore Nero Matt / Black Matt lower ceramic / Untere Keramik Schwarz Matt / Carreaux inférieurs en céramique Noir Matt / Cerámica inferior Negro Matt                    | 92.00      |
| 1  | 4125201065003 | Ceramica inferiore Warm Grey / Warm Grey lower ceramic / Untere Keramik Warm Grey / Carreaux inférieurs en céramique Warm Grey / Cerámica inferior Warm Grey                         | 92.00      |
| 2  | 4125201055000 | Ceramica laterale Sale e pepe / Salt and Pepper lateral ceramic / Seitliche Keramik Salz und Pfeffer / Céramique latérale Poivre-et-Sel / Cerámica laterale Sal y Pimienta           | 131.00     |
| 2  | 4125201055001 | Ceramica laterale Bordeaux / Bordeaux lateral ceramic / Seitliche Keramik Bordeaux / Céramique latérale Bordeaux / Cerámica laterale Bordeaux                                        | 131.00     |
| 2  | 4125201055002 | Ceramica laterale Nero Matt / Black Matt lateral ceramic / Seitliche Keramik Schwarz Matt / Céramique latérale Noir Matt / Cerámica laterale Negro Matt                              | 131.00     |
| 2  | 4125201055003 | Ceramica laterale Warm Grey / Warm Grey lateral ceramic / Seitliche Keramik Warm Grey / Céramique latérale Warm Grey / Cerámica laterale Warm Grey                                   | 131.00     |
| 3  | 4125200910000 | Top ceramica Sale e pepe / Top in ceramic Salt and Pepper / Keramik Abdeckplatte Salz und Pfeffer / Dessus en céramique Poivre-et-Sel / Top en cerámica Sal y Pimienta               | 251.00     |
| 3  | 4125200910001 | Top ceramica Bordeaux / Top in ceramic Bordeaux / Keramik Abdeckplatte Bordeaux / Dessus en céramique Bordeaux / Top en cerámica Bordeaux                                            | 251.00     |
| 3  | 4125200910002 | Top ceramica Nero Matt / Top in ceramic Black Matt / Keramik Abdeckplatte Schwarz Matt / Dessus en céramique Noir Matt / Top en cerámica Negro Matt                                  | 251.00     |
| 3  | 4125200910003 | Top ceramica Warm Grey / Top in ceramic Warm Grey / Keramik Abdeckplatte Warm Grey / Dessus en céramique Warm Grey / Top en cerámica Warm Grey                                       | 251.00     |



## SUITE AIR 10 M2

Porta fuoco / Fire door / Feuertür / Porte foyer / Puerta hogar



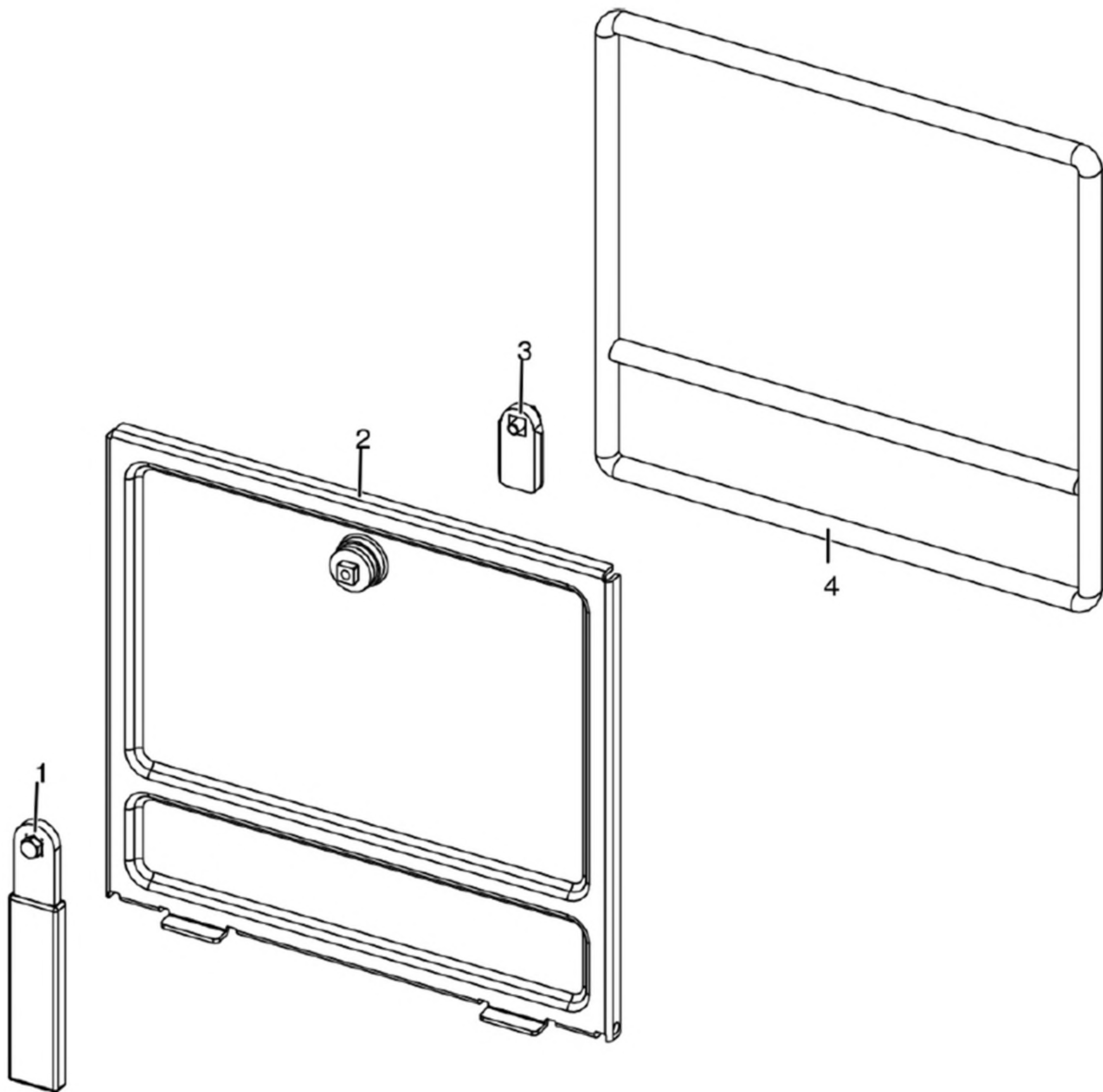
| N° | Codice/Code   | Descrizioni / Description / Beschreibung / Description / Descripción                                                                                                                                         | Prezzo (€) |
|----|---------------|--------------------------------------------------------------------------------------------------------------------------------------------------------------------------------------------------------------|------------|
| 1  | 4130200640000 | Porta ghisa / Cast iron door / Tür aus Gusseisen / Porte en fonte / Puerta de arrabio                                                                                                                        | 146.00     |
| 2  | 41202007190   | Maniglia / Handle / Griff / Poignée / Tirador                                                                                                                                                                | 25.00      |
| 3  | 41801603300A  | Guarnizione Ø5 5mt / Gasket Ø5 5mt / Dichtung Ø5 5mt / Joint Ø5 5mt / Junta Ø5 5mt                                                                                                                           | 42.00      |
| 3  | 41801603300B  | Guarnizione Ø5 50mt / Gasket Ø5 50mt / Dichtung Ø5 50mt / Joint Ø5 50mt / Junta Ø5 50mt                                                                                                                      | 299.00     |
| 3  | 41801603300C  | Guarnizione Ø5 5mt + silicone / Gasket Ø5 5mt + silic / Dichtung Ø5 5mt + Silikon / Joint Ø5 5mt + silic / Junta Ø5 5mt                                                                                      | 63.00      |
| 4  | 41701600300   | Vetroceramico porta ghisa / Cast iron door glass / Glaskeramikscheibe Tür aus Gusseise / Vitrocéremique porte en fonte / Cristal cerámico puerta en arrabio                                                  | 79.00      |
| 5  | 4120573A      | Guarnizione a nastro 8 mm (5 mt.) per porta / Door strip gasket 8 mm (5 m) / Türbanddichtung 8 mm (5 m) / Joint ruban 8 mm (5 m) pour porte / Guarnición de cinta para puerta 8 mm (5 m)                     | 32.00      |
| 5  | 4120573B      | Guarnizione a nastro 8 mm (50 mt.) per porta / Door strip gasket 8 mm (50 m) / Türbanddichtung 8 mm (50 m) / Joint ruban 8 mm (50 m) pour porte / Guarnición de cinta para puerta 8 mm (50 m)                | 162.00     |
| 6  | 41411622030V  | Profilo fermavetro / Fastening bracket profile / Haltebügel für Scheibebefestigung Profil / Profil patte de fixation / Perfil fermacristal                                                                   | 37.00      |
| 7  | 41411622130V  | Scivolo cenere / Ash ramp / Aschenrutsche / Glissèrie cendre / Tobogán ceniza                                                                                                                                | 37.00      |
| 8  | 4120104A      | Cordino fibroceramico Ø 12 mm (5 mt.) / Ceramic fibre cord Ø 12 mm (5 m.) / Keramikfaserschnur Ø 12 mm (5 m) / Cordon en fibre céramique Ø 12 mm (5 m) / Junta a cuerda de fibra cerámica Ø 12 mm (5 m)      | 36.00      |
| 8  | 4120104B      | Cordino fibroceramico Ø 12 mm (50 mt.) / Ceramic fibre cord Ø 12 mm (50 m.) / Keramikfaserschnur Ø 12 mm (50 m) / Cordon en fibre céramique Ø 12 mm (50 m) / Junta a cuerda de fibra cerámica Ø 10 mm (52 m) | 210.00     |



# MCZ GROUP

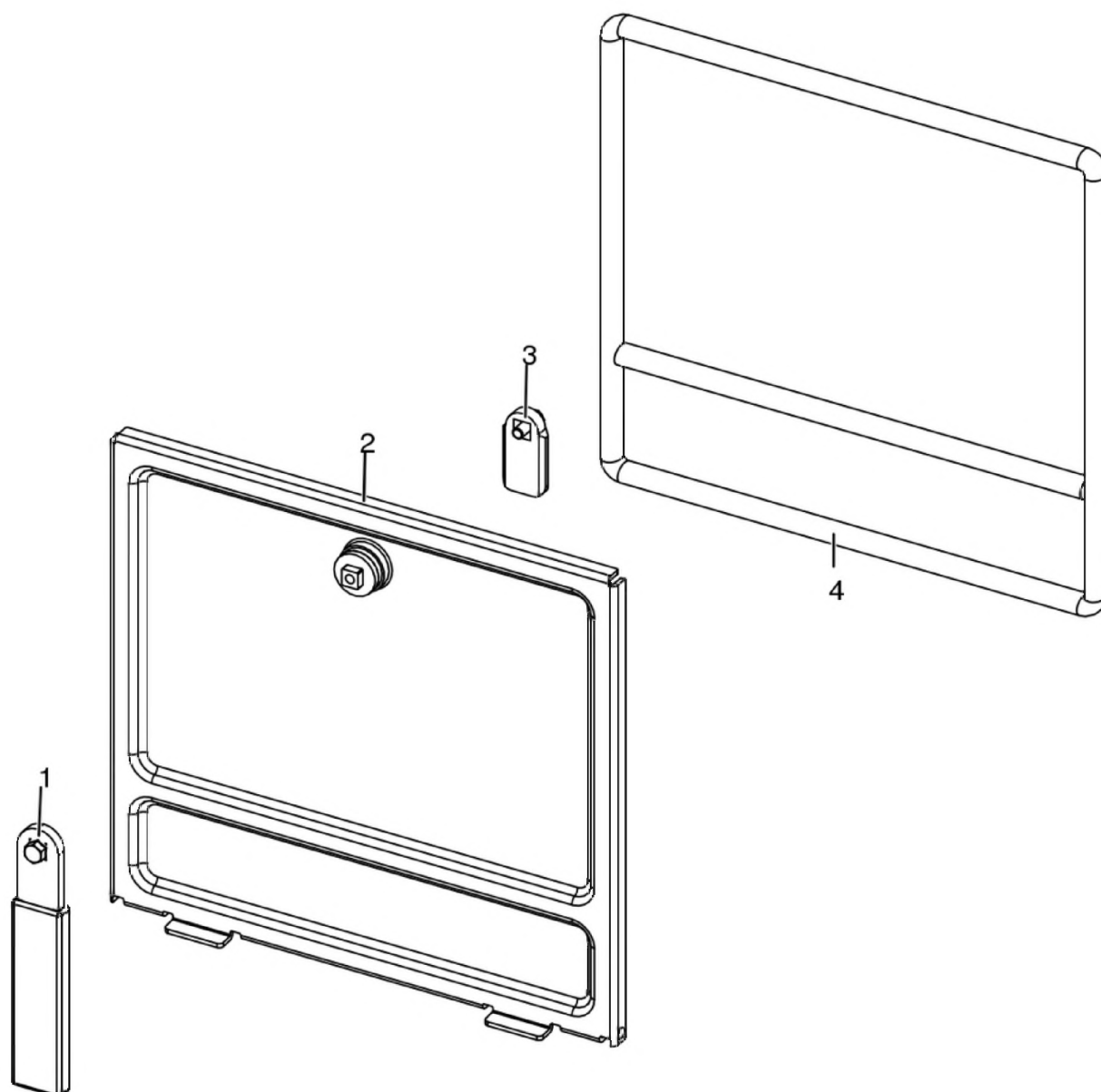
## SUITE AIR 10 M2

Porta cenere / Ash door / Ashentür / Porte cendre / Puerta ceniza



## SUITE AIR 10 M2

Porta cenere / Ash door / Ashentür / Porte cendre / Puerta ceniza



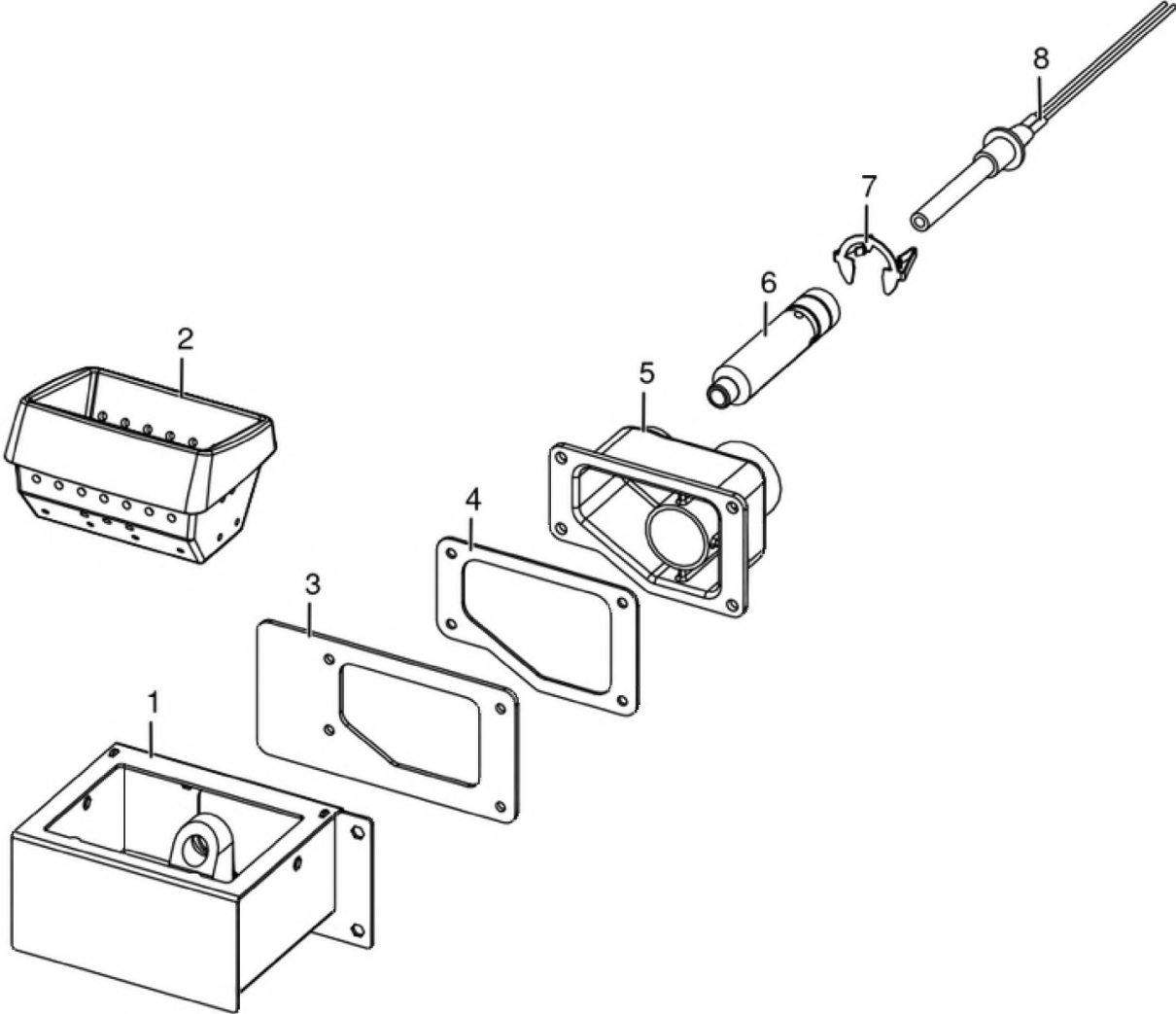
| N° | Codice/Code  | Descrizioni / Description / Beschreibung / Description / Descripción                                                                                                                                                                                                 | Prezzo (€) |
|----|--------------|----------------------------------------------------------------------------------------------------------------------------------------------------------------------------------------------------------------------------------------------------------------------|------------|
| 1  | 41411621600  | Maniglia con impugnatura porta cenere / Handle / Griff / Poignée / Tirador                                                                                                                                                                                           | 20.00      |
| 2  | 41421602141V | Porta cenere / Ash drawer door / Tür des Aschenkastens / Porte tiroir à cendres / Puerta cajón ceniza                                                                                                                                                                | 57.00      |
| 3  | 41201608400  | Serratura porta cassetto cenere / Door lock for ash drawer / Türschloss für Aschenkasten / Serrure de porte du tiroir à cendres / Cerradura puerta cajón ceniza                                                                                                      | 20.00      |
| 4  | 412007003A   | Cordino fibroceramico Ø 14 mm (5 mt.) / Ceramic fibre cord Ø 14 mm (5 m.) / Keramikfaserschnur Ø 14 mm (5 m) / Cordon en fibre céramique Ø 14 mm (5 m) / Junta a cuerda de fibra cerámica Ø 14 mm (5 m)                                                              | 44.00      |
| 4  | 412007003B   | Cordino fibroceramico Ø 14 mm (50 mt.) / Ceramic fibre cord Ø 14 mm (50 m.) / Keramikfaserschnur Ø 14 mm (50 m) / Cordon en fibre céramique Ø 14 mm (50 m) / Junta a cuerda de fibra cerámica Ø 14 mm (50 m)                                                         | 300.00     |
| 4  | 412007003C   | Kit sostituzione cordino (cordino+silicone) Ø 14 mm / Cord replacement kit (cord + silicon) Ø14 mm / Schnuraustauschsetz (Schnur +Silikon) Ø 14 mm / Kit remplacement cordon (cordon+silicon) Ø 14 / Kit sustitución junta a cuerda (junta a cuerda+silicon) Ø 14 mm | 70.00      |

## **SUITE AIR 10 M2**

Gruppo caricamento pellet / Pellet feed group / Pellet Fördergruppe / Groupe chargement du pellet / Grupo de carga pellet

## SUITE AIR 10 M2

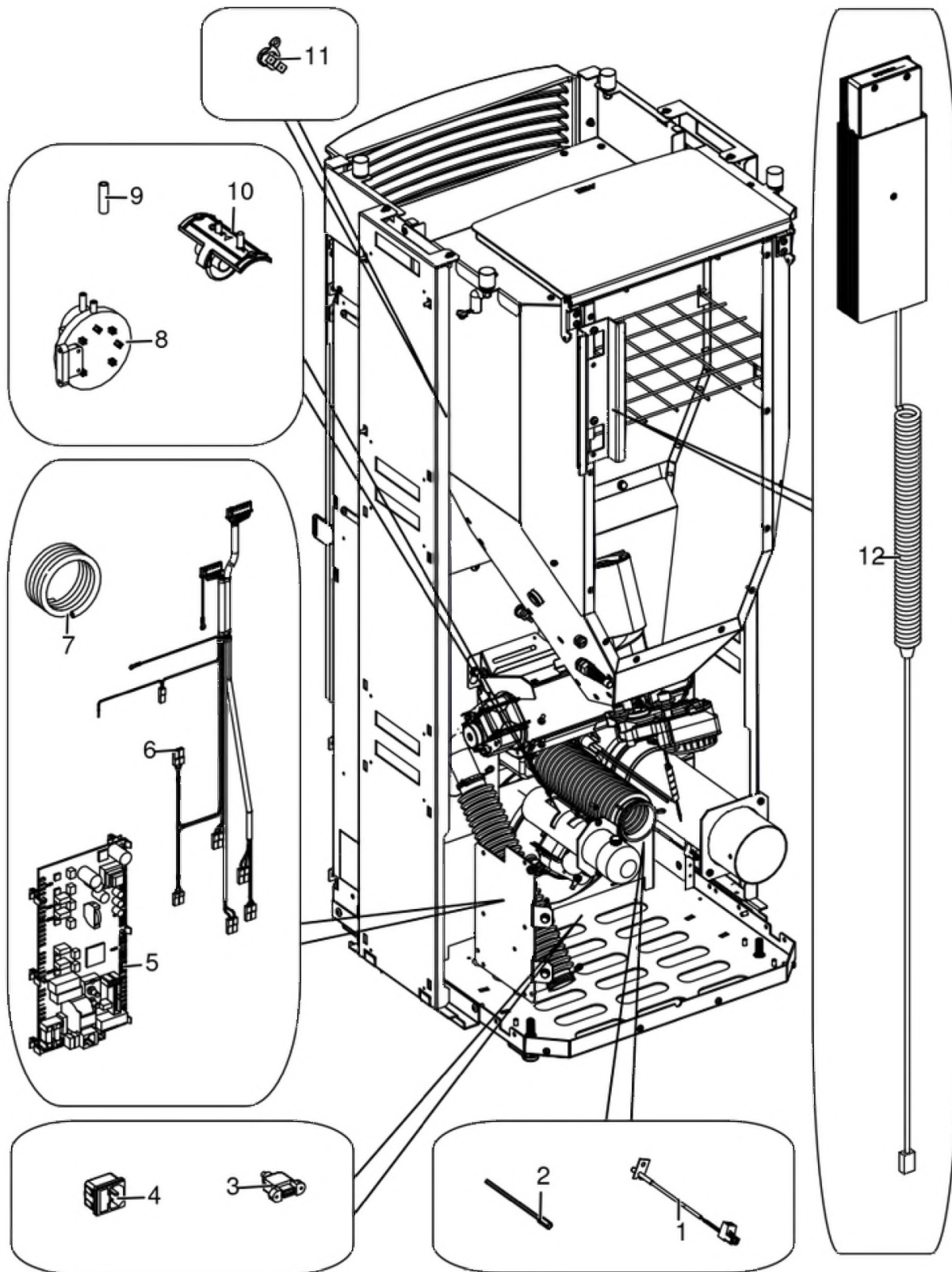
Gruppo accensione / Ignition group / Entzündung Gruppe / Groupe d'allumage / Grupo ignición



| N° | Codice/Code  | Descrizioni / Description / Beschreibung / Description / Descripcion                                                                         | Prezzo (€) |
|----|--------------|----------------------------------------------------------------------------------------------------------------------------------------------|------------|
| 1  | 41402146940  | Tasca braciere / Combustion pot container / Brenntopfkasten / Récipient brasero / Contenedor brasero                                         | 74.00      |
| 2  | 41301502400V | Braciere ghisa / Cast iron grate / Brenntopf aus Gusseisen / Brasero en fonte / Brasero en arrabio                                           | 51.00      |
| 3  | 41801601500  | Guarnizione tasca braciere / Combustion pot container gasket / Brenntopfkasten Dichtung / Joint récipient brasero / Junta contenedor brasero | 18.00      |
| 4  | 41801602300  | Guarniziona codolo / Gasket / Dichtung / Joint / Junta                                                                                       | 19.00      |
| 5  | 41311803500  | Codolo / Tool chuck / Einspanschaft / Outil d'emmanchement / Mango                                                                           | 44.00      |
| 6  | 41601601000  | Condotto candeletta / Sparkplug Conduit / Zündkerzenkanal / Conduit Bougie / Conducto Bujía                                                  | 27.00      |
| 7  | 41201601500  | Anello arresto candeletta / Sparkplug stop / Zündkerzestopper / Butée bougie / Tope bujía                                                    | 24.00      |
| 8  | 41451308101  | Candeletta 315 Watt / Sparkplug 315 Watt / Zündkerze 315 Watt / Bougie 315 Watt / Bujía 315 Watt                                             | 77.00      |
| 8  | 41451308150  | Kit 25 candelette 315 Watt / 25 Sparkplugs 315 Watt kit / Bausatz 25 Zündkerzen 315 Watt / Kit 25 Bougies 315 Watt / Kit 25 Bujías 315 Watt  | 1,637.00   |

## SUITE AIR 10 M2

Gruppo elettrico ed elettronico / Electrical and electronic group / Elektrische und elektronische Gruppe /  
Groupe électrique et électronique / Grupo eléctrico y electrónico



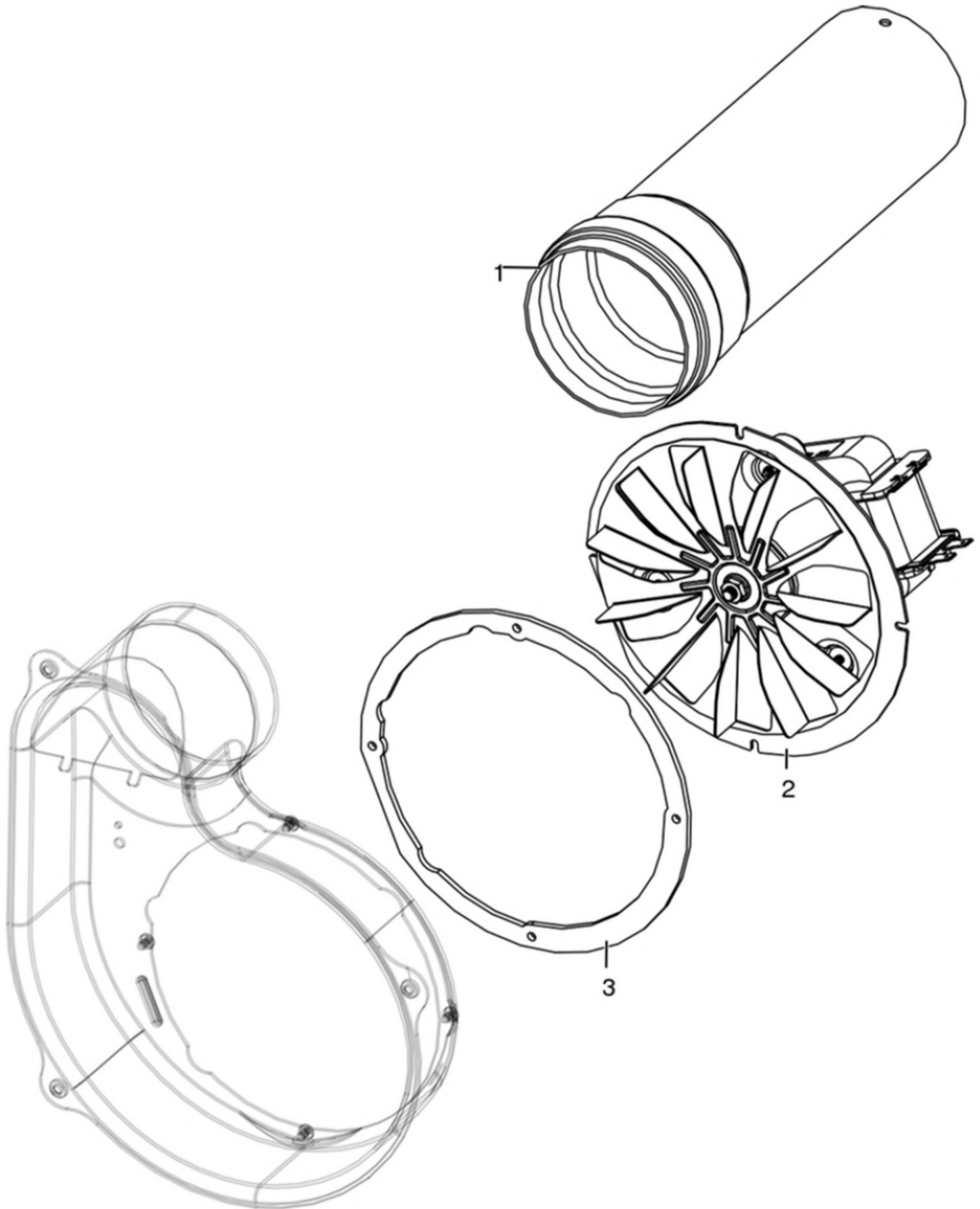
| N° | Codice/Code  | Descrizioni / Description / Beschreibung / Description / Descripcion                                                                                                                                                                        | Prezzo (€) |
|----|--------------|---------------------------------------------------------------------------------------------------------------------------------------------------------------------------------------------------------------------------------------------|------------|
| 1  | 41451703600  | Sonda fumi con flangia con morsettiera L.980 / Smoke sensor with flange with terminal board L.980 / Rauchsonde mit Flansche mit Klemmenbrett L.980 / Sonde fumées avec bride avec serre-câble L.980 / Sonda humos con brida con borne L.980 | 23.00      |
| 2  | 4160386      | Sonda temperatura ambiente/acqua / Room/Water temperature sensor / Raum- Wassertemperaturfühler / Sonde température ambiance/eau / Sonda temperatura ambiente/agua                                                                          | 21.00      |
| 3  | 41451403200  | Cavo USB da pannello L.500 / USB Cable from display L.500 / USB Kabel von Notfalldisplay L.500 / Câble USB de panneau L.500 / Cable USB del panel L.500                                                                                     | 21.00      |
| 4  | 41451104100  | Presa con fusibile / Socket with fuse / Steckdose mit Sicherung / Prise avec fusible / Toma con fusible                                                                                                                                     | 14.00      |
| 5  | 1010         | Non disponibile / Not available / Nicht verfügbar / Non disponibile / No disponible                                                                                                                                                         | -          |
| 6  | 41452008100  | Cablaggio / Wiring / Verkabelung / Câblage / Cableado                                                                                                                                                                                       | 110.00     |
| 6  | 41452000500  | Cavo motoriduttore / Reduction motor cable / Kabel Getriebemotor / Câble motoréducteur / Cable motorreductor                                                                                                                                | 26.00      |
| 7  | 41801902500  | Spirale Rilsan (30 m.) / Rilsan spiral (30 m.) / Spirale Rilsan (30 M.) / Spirale Rilsan (30 m.) / Espiral Rilsan (30 m.)                                                                                                                   | 174.00     |
| 7  | 41801902500A | Spirale Rilsan (5 spire) / Rilsan spiral (5 coils) / Spirale Rilsan (5 Windungen) / Spirale Rilsan (5 spires) / Espiral Rilsan (5 espire)                                                                                                   | 26.00      |
| 8  | 41451003700  | Pressostato / Pressure switch / Druckschalter / Pressostat / Presostato                                                                                                                                                                     | 40.00      |
| 9  | 4120631A     | Tubicino siliconico - 5m / Silicon tube - 5m / Silikonrohr - 5m / Petit tuyau en silicone - 5m / Tubo silicónico - 5m                                                                                                                       | 22.00      |
| 10 | 41601301850  | Componente rilevamento portata aria / Air flow measure component / Bauteil für Messung der Luftmenge / Composent pour la mesuration de la quantité d'air / Componente por la medida de l'aire                                               | 34.00      |
| 11 | 412007004    | Clickson 110°C / Clickson 110°C / Clickson 110°C / Clickson 110°C / Clickson 110°C                                                                                                                                                          | 20.00      |
| 12 | 1010         | Non disponibile / Not available / Nicht verfügbar / Non disponibile / No disponible                                                                                                                                                         | -          |
| 12 | 41452008402  | Cavo connessione pannello / Control panel connection cable / Bedienblende Verbindungskabel / Cable de connection au tableau / Cable de conexión panel de comando                                                                            | 23.00      |



# MCZ GROUP

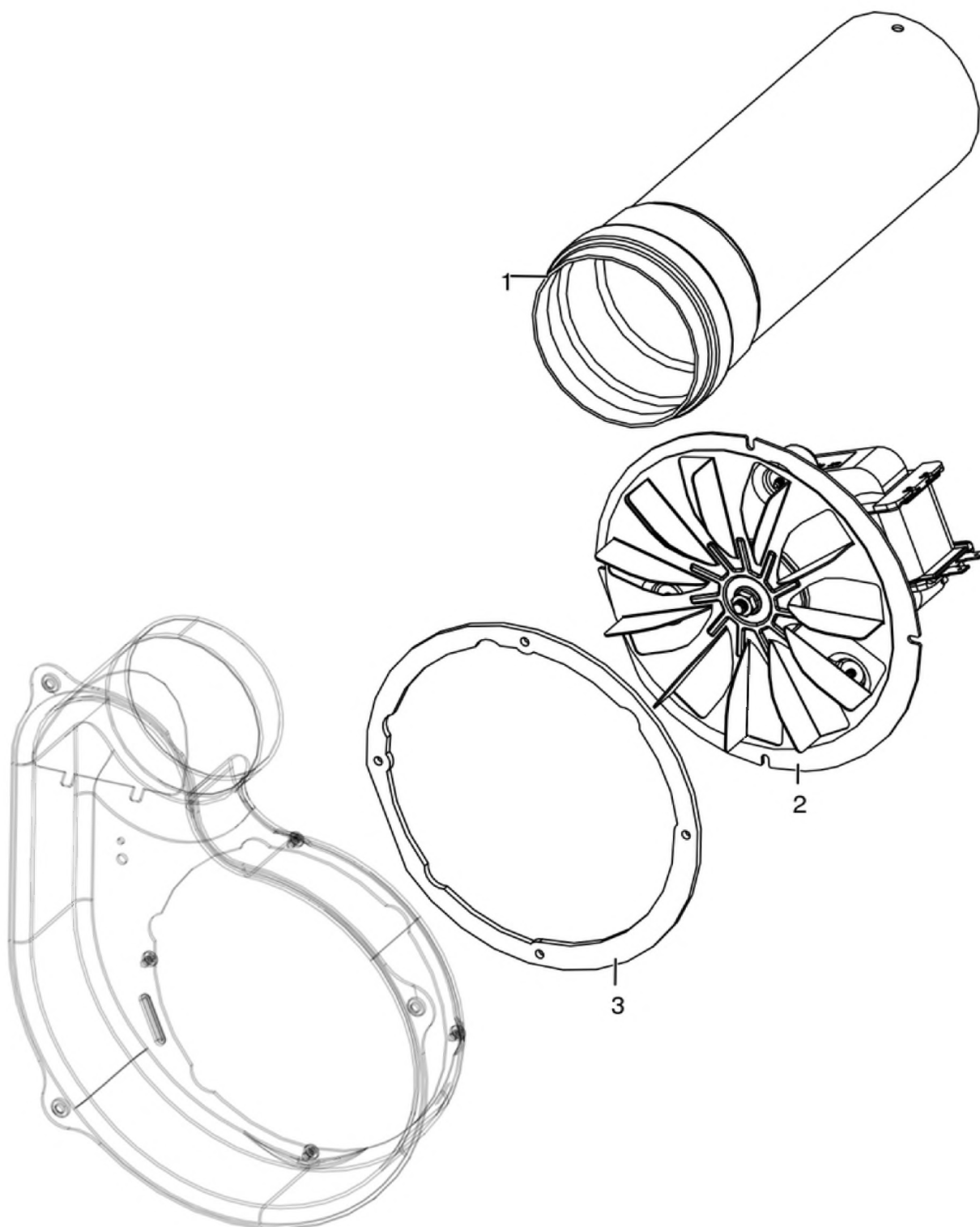
## SUITE AIR 10 M2

Gruppo fumi / Smoke group / Rauchgruppe / Groupe fumées / Grupo de humos



## SUITE AIR 10 M2

Gruppo fumi / Smoke group / Rauchgruppe / Groupe fumées / Grupo de humos



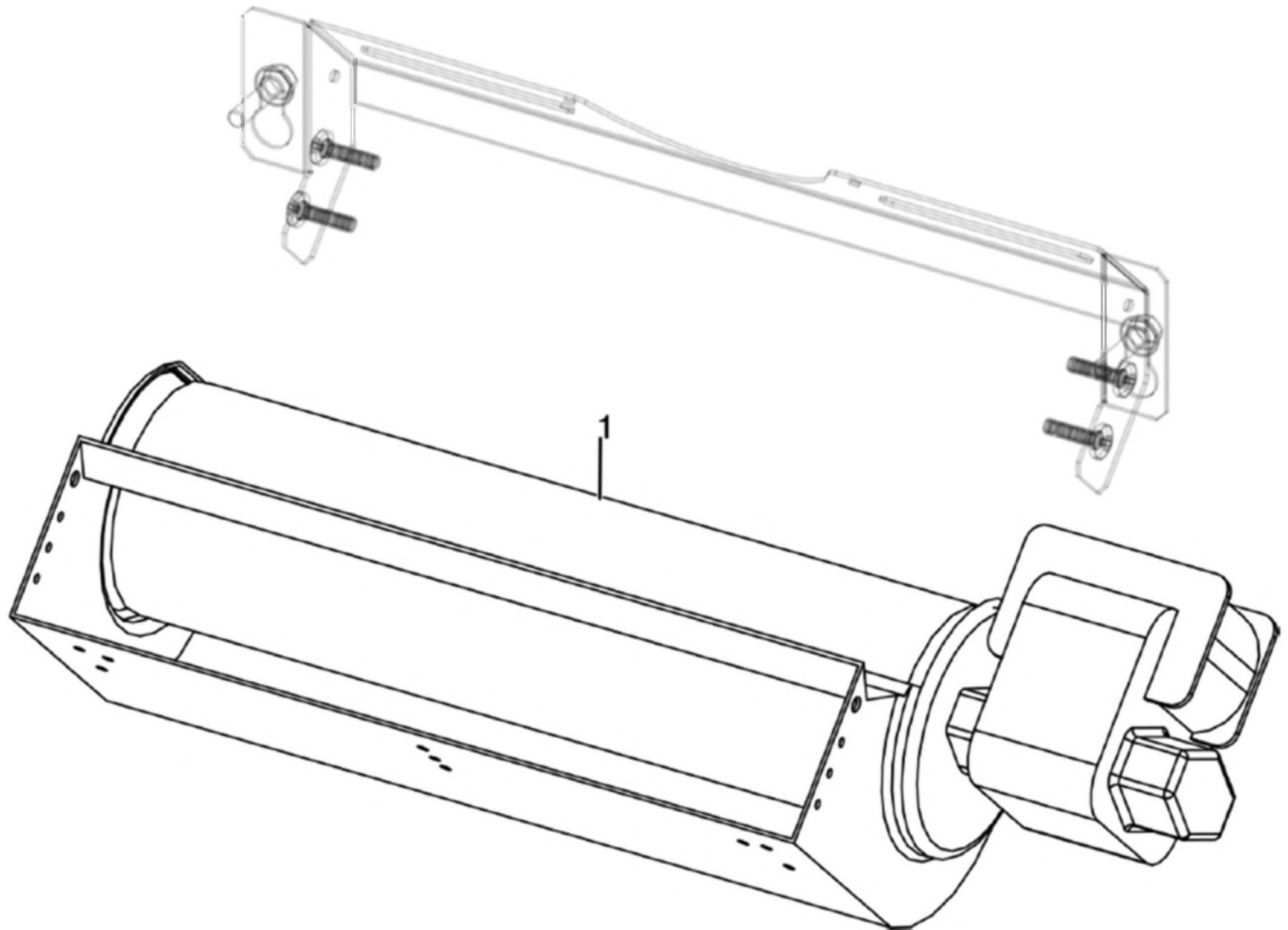
| N° | Codice/Code | Descrizioni / Description / Beschreibung / Description / Descripcion                                                                                  | Prezzo (€) |
|----|-------------|-------------------------------------------------------------------------------------------------------------------------------------------------------|------------|
| 1  | 41601604560 | Tubo fumi Ø 80 con guarnizione / Smoke pipe Ø 80 with gasket / Rauchrohr Ø 80 mit Dichtung / Tuyau fumées Ø 80 avec joint / Tubo humos Ø 80 con junta | 30.00      |
| 2  | 41451503200 | Ventilatore fumi stagno / Air-tight smoke exhausted fan / Luftdichtes Rauchgasgebläse / Ventilateur fumées étanche / Ventilador humos hermético       | 82.00      |
| 2  | 41451209300 | Encoder per ventilatore fumi marchi LN2/SIT / Encoder for LN2/SIT smoke fan / Encoder für LN2/SIT                                                     | 21.00      |

|          |                    |                                                                                                                                                                                                   |              |
|----------|--------------------|---------------------------------------------------------------------------------------------------------------------------------------------------------------------------------------------------|--------------|
|          |                    | Rauchgasgebläse / Encoder pour ventilateur des fumées marques LN2/SIT / Encoder para ventilador humos marcas LN2/SIT                                                                              |              |
| <b>2</b> | <b>41451703000</b> | Encoder per ventilatore fumi marchio EBM / Encoder for EMB smoke fan / Encoder für EBM Rauchgasgebläse / Encoder pour ventilateur des fumées marque EBM / Encoder para ventilador humos marca EBM | <b>22.00</b> |
| <b>2</b> | <b>41452009200</b> | Encoder ventilatore / Fan encoder / Lüfter Encoder / Encodeur de ventilateur / Codificador de ventilador                                                                                          | <b>17.00</b> |
| <b>3</b> | <b>41801600800</b> | Guarnizione ventilatore fumi / Smoke exhaust fan gasket / Dichtung Rauchabsauggebläse / Joint Ventilateur aspiration fumées / Junta ventilador aspiración humos                                   | <b>22.00</b> |

# MCZ GROUP

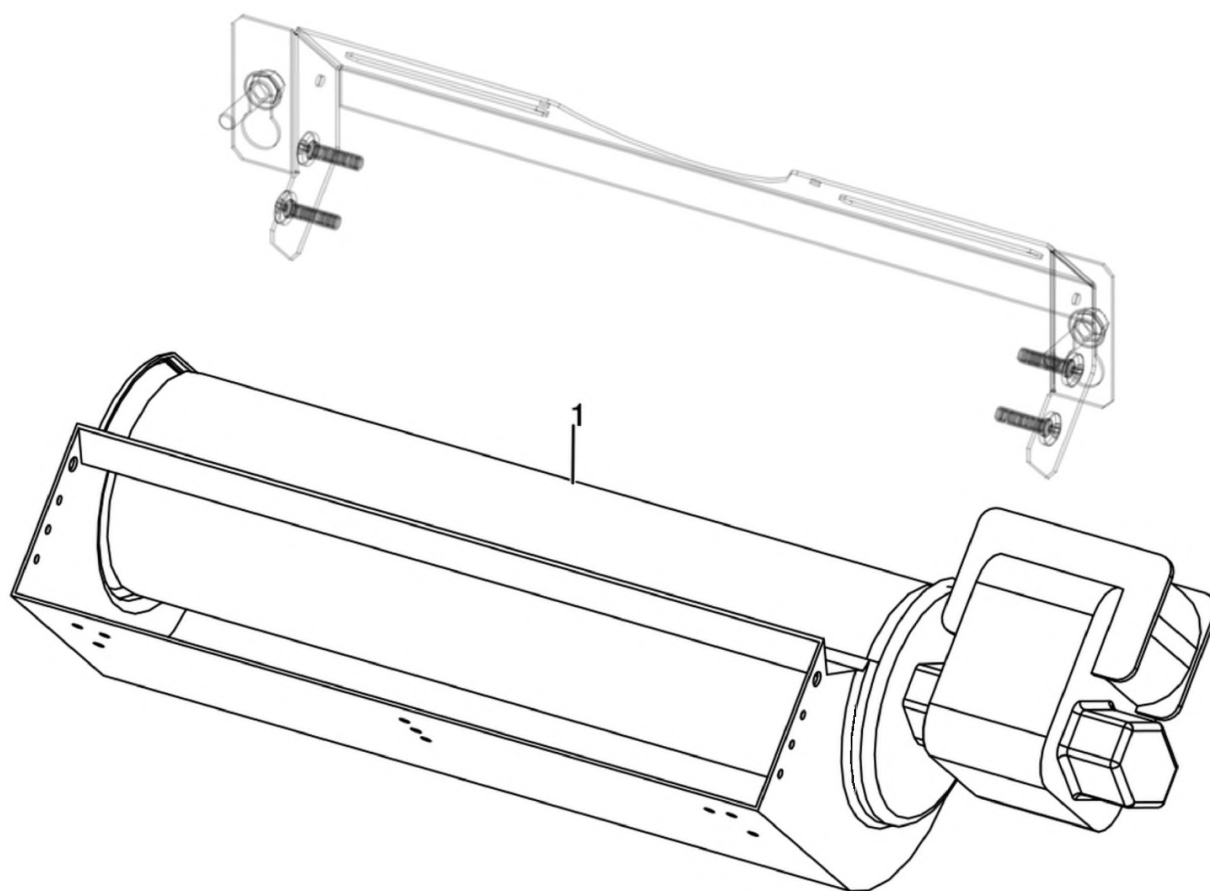
## SUITE AIR 10 M2

Gruppo ventilazione / Ventilation group / Lüftungsgruppe / Groupe de ventilation / Grupo de ventilación



## SUITE AIR 10 M2

Gruppo ventilazione / Ventilation group / Lüftungsgruppe / Groupe de ventilation / Grupo de ventilación



| N° | Codice/Code | Descrizioni / Description / Beschreibung / Description / Descripción         | Prezzo (€) |
|----|-------------|------------------------------------------------------------------------------|------------|
| 1  | 41451600800 | Ventilatore aria / Air fan / Luftgebläse / Ventilateur air / Ventilador aire | 76.00      |