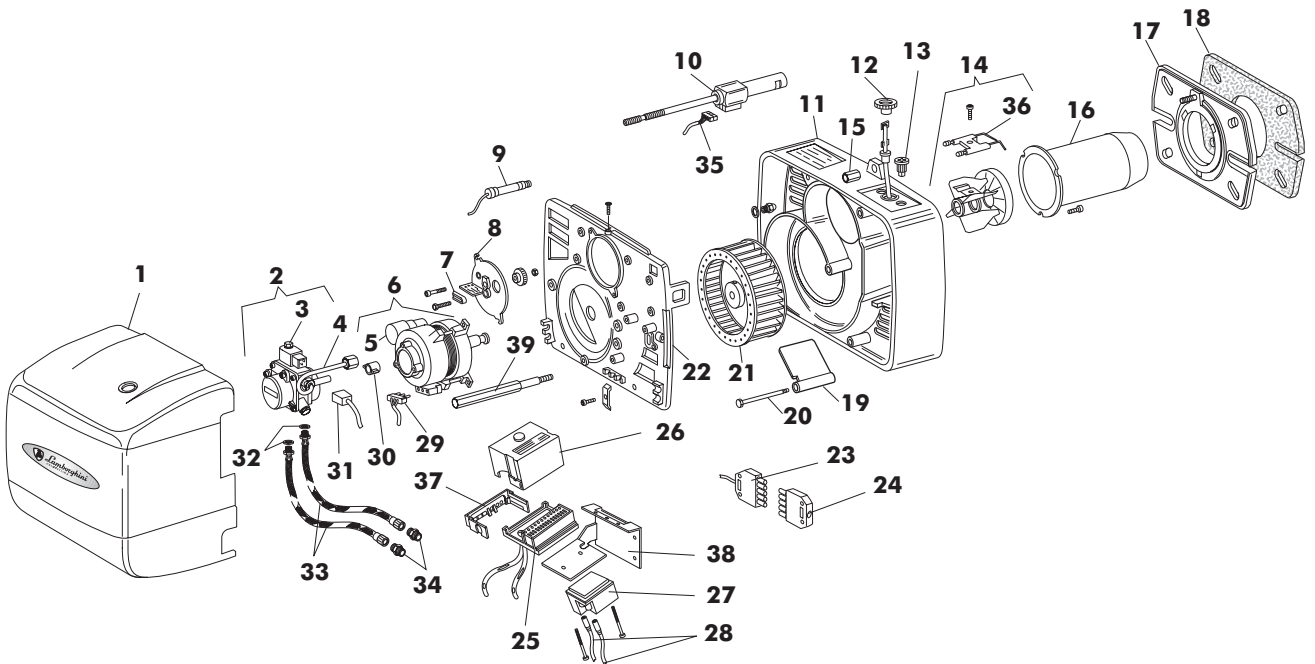


ECO 3 ED Cod. **00844960**
ECO 3R ED Cod. **00844950**
TAV. 478

Maggio 2007



Pos.	Cod.	Denominazione	Denomination	Denomination	Denominación
1	1.12257.0	Cofano	Cover	Capot	Tapa
2	4.03304.0	Pompa	Pump	Pompe	Bomba
3	4.03473.0	Bobina	Valve coil	Bobine électrovane	Bobina electroválvula
4	1.10076.0	Tubo mandati	Feeding tube	Ligne alimentation	Tubo alimentación
5	4.04245.0	Condensatore	Condensator	Condensateur	Condensador
6	1.13226.0	Motore	Motor	Moteur	Motor
7	1.07780.0	Indice di riferimento	Reference index	Indéxe de référence	Indice de referencia
8	1.07776.0	Flangia linea gicleur (Eco 3)	Nozzle line flange (Eco 3)	Flange ligne gicleur (Eco 3)	Bride linea inyector (Eco 3)
	1.08476.0	Flangia linea gicleur (Eco 3R)	Nozzle line flange (Eco 3R)	Flange ligne gicleur (Eco 3R)	Bride linea inyector (Eco 3R)
9	4.04238.0	Fotoresistenza	Photocell	Photorésistance cellule	Fotoresistencia
10	1.08557.0	G/supporto gicleur (Eco 3)	Nozzle holder group (Eco 3)	G/Support gicleur (Eco 3)	G/Linea inyector (Eco 3)
	1.09256.0	G/Preriscaldatore (Eco 3R)	Preheater group (Eco 3R)	G/réchauffeur (Eco 3R)	G/precalentador (Eco 3R)
11	1.11004.0	Corpo bruciatore	Burner body	Corps du brûleur	Cuerpo quemador
12	1.07803.0	Pignone perno bandella	Pin pinion	Pignon pivot	Piñon pernio
13	1.07804.0	Vite regolazione aria	Air adjustment screw	Vis réglage air	Tornillos de regulaciòn aire
14	4.04237.0	G/Deflettore con elettrodi	G/deflector and electrodes	G/déflexeur avec électrodes	G/deflector con electrodos
15	1.07792.0	Dado bloccaggio bruciatore	Locking nut	Ecrou de blocage	Tuerca fijaciòn
16	1.13204.0	Boccalgio	Draught tube	Tube embouchement	Boca de fuego
17	1.07777.0	Flangia fissa attacco caldaia	Boiler connecting flange	Flange connexion chaudièreb	Brida de fijaciòn a la caldera
18	1.07785.0	Guarnizione isolante	Insulating gasket	Joint isolant	Junta aislante
19	1.07783.0	Bandella atmosferica	Atmospheric air flap	Clapet d'air atmosphérique	Clapeta aire
20	1.11103.0	Perno bandella	Air flap pinion	Pivot clapet d'air	Pernio palomilla
21	4.03736.0	Ventola	Fan	Ventilateur	Turbina
22	1.11102.0	Piastra componenti	Components plate	Plaque composantes	Placa componentes
23	4.03422.0	Presca	Connector	Connecteur	Conector
24	4.03210.0	Spina	Connector	Connecteur	Conector
25	4.04239.0	Base apparecchiatura	Control box base	Base coffret	Base
26	4.04242.0	Apparecchiatura	Control box	Coffret de sécurité	Programador
27	4.04241.0	Trasformatore	Transformer	Transformateur	Transformador
28	1.13227.0	Cavo elettrodo	Electrode cable	Cable électrode	Cable electrodo
29	1.06962.0	Cavo spina motore	Motor cable	Cable du moteur	Cable motor
30	4.04183.0	Giunto	Joint	Joint	Junta
31	1.06964.0	Cavo spina valvola	Valve cable	Cable vanne	Cable electroválvula
32	1.00129.0	Rondella 1/4"	Washer 1/4"	Rondelle 1/4"	Arandela 1/4"
33	1.06922.0	Flessibile	Hose	Flexible	Flexible
34	1.00119.0	Nipplo 3/8"	Nipple 3/8"	Nipple 3/8"	Machon 3/8"
35	4.70389.0	Cavo preriscaldatore (Eco 3R)	Preheater connector (Eco 3R)	Connecteur réchauf.(Eco 3R)	Conector precal. (Eco 3R)
36	4.04243.0	Elettrodi	Electrodes	Électrodes	Electrodos
37	4.04240.0	Fermacavo	Cables' block	Suporte cables	Sujeta-cables
38	1.07786.0	Staffa apparecchiatura	Control box holder	Support coffret	Soporte programador
39	1.11007.0	Perno fissaggio piastra	Plate fixing pin	Vis fixation plaque	Pernio fijaciòn placa