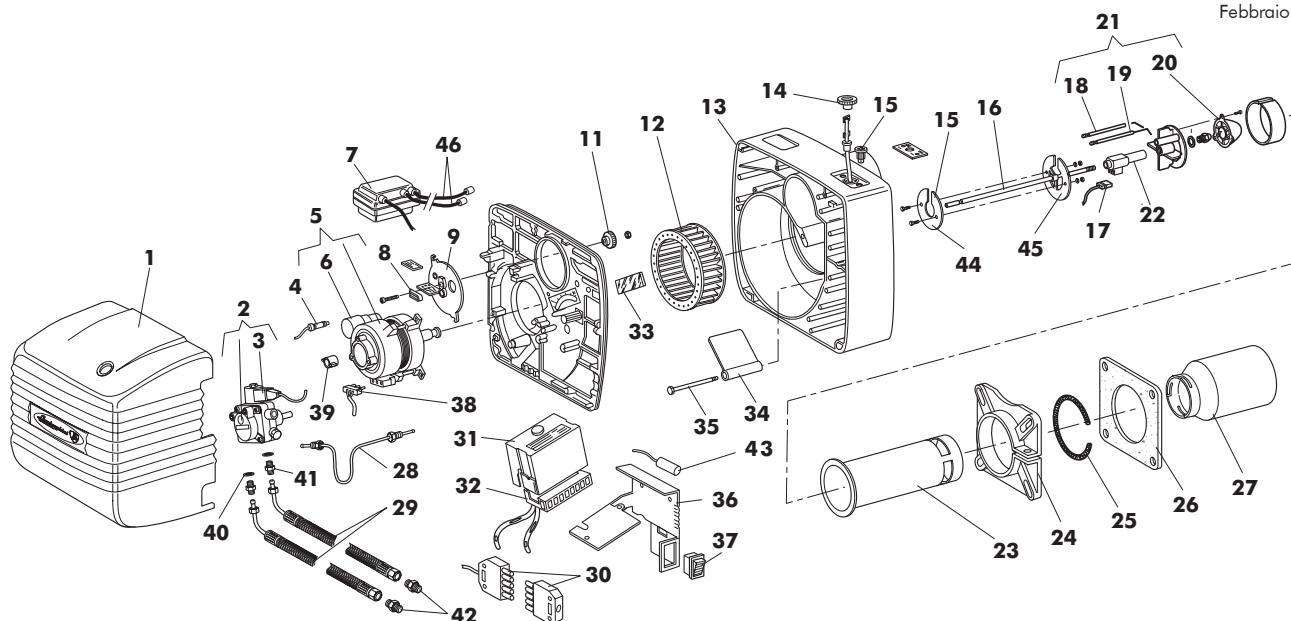


ECO 7 LN Cod. 00840770
TAV. 392

Febbraio 2001



Pos.	Cod.	Denominazione	Denomination	Denomination	Denominación
1	1.09063.0	Cofano	Cover	Capot	Tapa
2	4.01778.0	Pompa SUNTEC AS47B	Pump	Pompe	Bomba
3	4.01870.0	Bobina	Valve coil	Bobine électrovanne	Bobina electrovalvula
4	4.03820.0	Fotoresistenza LANDIS QRC1A3	Photocell	Photorésistance cellule	Fotoresistencia
5	1.10961.0	Motore 250W	Motor 250W	Moteur 250W	Motor 250W
6	4.03615.0	Condensatore	Condenser	Condensateur	Condensador
7	4.03270.0	Trasformatore	Transformer	Transformateur	Transformador
8	1.07780.0	Indice di riferimento	Reference index	Indéxe de référence	Indice de referencia
9	1.11159.0	Flangia linea gicleur	Nozzle line flange	Flange ligne gicleur	Bride linea inyector
10	1.11112.0	Piastra componenti	Components plate	Plaque composantes	Placa componentes
11	1.07787.0	Ingranaggio	Gear	Engrangement	Engranaje
12	4.03309.0	Ventola	Fan	Ventilateur	Turbina
13	1.08699.0	Corpo bruciatore	Burner body	Corps du brûleur	Cuerp quemador
14	1.07803.0	Pignone perno	Pin pignon	Pignon pivot	Piñon pernio
15	1.07804.0	Vite regolazione aria	Air adjustment screw	Vis réglage air	Tornillos de regulaciòn aire
16	1.11157.0	Tubo supp. prerisc.	Preheater holder tube	Ligne réchauffer	Tubo soporto prec.
17	1.11156.0	Connettore prerisc.	Preheater connector	Connecteur réchauf.	Conector precal.
18	1.11163.0	Elettrodo destro	Right electrode	Electrode droite	Electrodo derecho
19	1.11162.0	Elettrodo sinistro	Left electrode	Electrode gauche	Electrodo izquierdo
20	4.03817.0	Ugello aria D. 30	D. 30 Air nozzle	-----	-----
21	4.03818.0	G/Testata	Gas head group	G/ligne int. gaz	G/linea int. gas
22	4.01895.0	Prerisc. DANFOSS FPHB	Preheater	Réchauffer	Precaentador
23	4.03816.0	Boccaglio	Draught tube	Tube embouchement	Boca de fuego
24	1.08863.0	Flangia attacco caldaia	Boiler connecting flange	Flange connex. chaudière	Brida de fijac. a la caldera
25	1.08953.0	Corda isolante	Insulating rope	Corde isolantes	Cuerda aislador
26	1.06758.0	Guarnizione isolante	Insulating gasket	Joint isolant	Junta aislantes
27	4.03815.0	Tubo fiamma	Flame tube	-----	-----
28	1.08710.0	Tubo mandata	Feeding tube	Ligne alimentation	Tubo alimentacion
29	1.06922.0	Flessibile	Hose	Flexible	Flexible
30	1.08758.0	G/presa-spina	G/connector	G/connecteur	G/connector multiple
31	4.03523.0	Apparecchiatura LOA 24	LOA 24 control box	Coffret de sécurié LOA 24	Programador LOA 24
32	4.01551.0	Base apparecchiatura	Control box base	Base coffret	Base
33	1.08747.0	Vetrino ispezione bandella	Glass	Voyant	Vidrio
34	1.08720.0	Bandella atmosferica	Air flap	Clapet d'air	Palomilla
35	1.11110.0	Perno bandella	Air flap pinion	Pivot clapet d'air	Piñon palomilla
36	1.09062.0	Staffa apparecchiatura	Control box holder	Support coffret	Soporte programador
37	4.03386.0	Interruttore	Switch	Interrupteur	Interruptor
38	1.08761.0	Cavo spina motore	Motor cable	Cable du moteur	Cable motor
39	4.03514.0	Giunto	Joint	Joint	Junta
40	1.00129.0	Rondella 1/4"	Washer 1/4"	Rondelle 1/4"	Arandela 1/4"
41	1.05802.0	Nipplo 1/4"	Nipple 1/4"	Nipple 1/4"	Machon 1/4"
42	1.00119.0	Nipplo 3/8"	3/8" nipple	nipple 3/8"	Machon 3/8"
43	4.03471.0	Filtro antisturbo	Antijamming filter	Filtre antiparasite	Filtro antiparasitario
44	1.11160.0	Diaframma aria D. 60	-----	-----	-----
45	1.11161.0	Diaframma aria D. 35	-----	-----	-----
46	1.08545.0	Cavo elettrodo	Electrode cable	Câble électrode	Cable electrodo