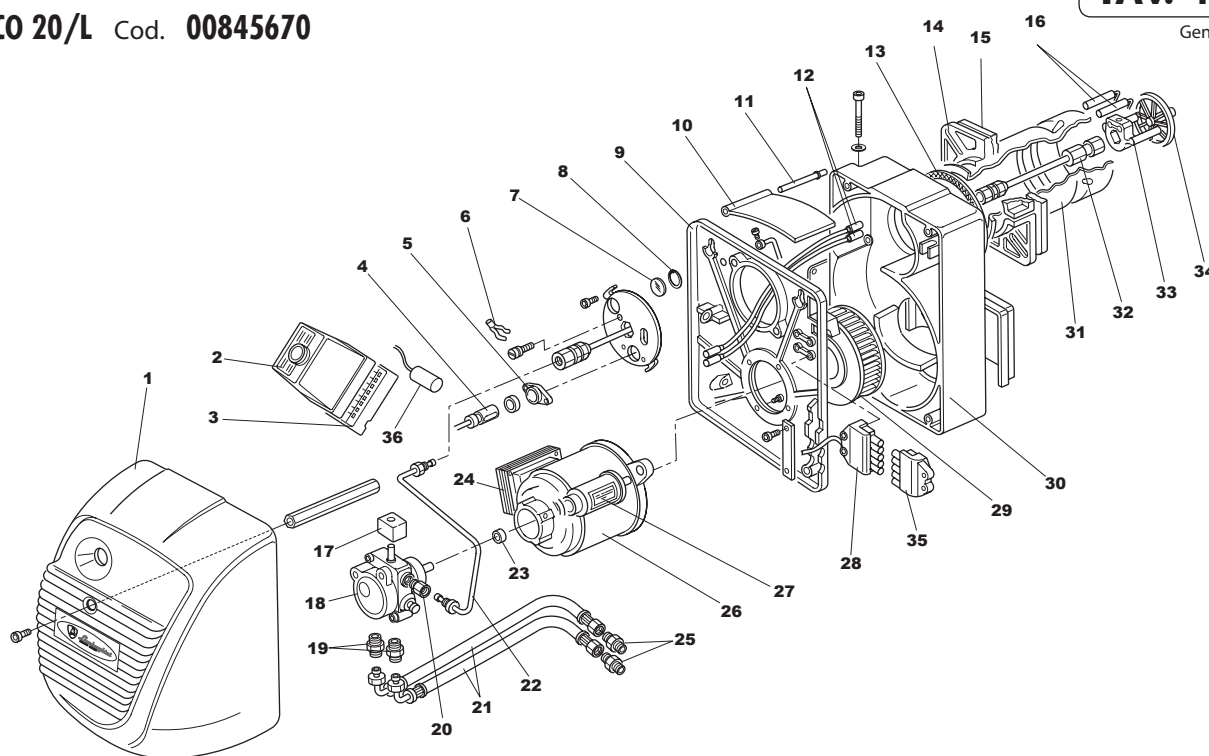


ECO 20 Cod. **00870053**
ECO 20/L Cod. **00845670**
TAV. 406-3

Gennaio 2011



Pos.	Cod.	Denominazione	Denomination	Denomination	Denominación
1	1.13775.0	Cofano	Cover	Capot	Tapa
2	4.04206.0	App. Landis tipo LMO 14	Control box	Coffret de sécurité	Programador
3	4.01551.0	Zoccolo	Base	Base	Base
4	4.03644.0	Fotoresistenza	Photocell	Photorésistance cellule	Fotoresistencia
5	4.03642.0	Supporto fotoresistenza	Photoresistor holder	Support photorésistance	Suporte fotoresistencia
6	1.11865.0	Molla raccordo mandata	Delivery coupling spring	Ressort du raccord départ	Muelle racor ida
7	1.11871.0	Vetrino ispezione	Ispection window	Visueur de flamme	Mirilla de inspección
8	3.00135.0	Anello seeger	Seeger	Seeger	Seeger
9	1.12049.0	Coperchio coclea	Cover cochlear	Couverture cochléaire	Cubierta coclear
10	1.11893.0	Bandella aria	Air flap	Clapet d'air	Palomilla
11	1.12283.0	Perno bandella	Air flap shaft	Arbre clapet air	Arbol palomilla aire
12	1.13760.0	Cavo elettrodo accensione	Electrode cable	Cable èlectrode	Cable electrodo
13	1.11887.0	Guarnizione boccaglio	Draught tube gasket	Guelard joint	Junta boca de fuego
14	1.11880.0	Flangia attacco caldaia	Boiler connect. flange	Flange connex. chaudière	Brida de fijación a la caldera
15	1.11881.0	Guarnizione isolante	Insulating gasket	Joint isolant	Junta aislante
16	4.04031.0	Elettrod bifilare	Electrode	E'lectrode	Electrodo
17	4.01870.0	Bobina SUNTEC	Coil	Bobine	Bobine
	4.03473.0	Bobina DANFOSS	Coil	Bobine	Bobine
18	4.03648.0	Pompa SUNTEC	Pump	Pompe	Bomba
	4.04193.0	Pompa DANFOSS	Pump	Pompe	Bomba
19	1.05802.0	Nipplo 1/4"	Pump coupling 1/4"	Raccord pompe 1/4"	Racor bomba 1/4"
20	1.11875.0	Raccordo tubo mandata	Delivery tube coupling	Raccord conduit de départ	Racor tubo ida
21	1.06922.0	Flexibile	Hose	Flexible	Flexible
22	1.11894.0	Tubo mandata	Feeding tube	Ligne alimentation	Tubo alimentacion
23	4.03646.0	Giunto motore (ACC)	Joint motor (ACC)	Joint du moteur (ACC)	Junta motor (ACC)
	4.04183.0	Giunto motore (SIMEL)	Joint motor (SIMEL)	Joint du moteur (SIMEL)	Junta motor (SIMEL)
24	4.04416.0	Trasformatore	Trasformer	Transformateur	Transformador
25	1.00119.0	Nipplo 3/8"	Flex coupling 3/8"	Raccord flexible 3/8"	Racor flexible 3/8"
26	1.11895.0	Motore 185 W (ACC)	Motor	Moteur	Motor
	1.13686.0	Motore 185 W (SIMEL)	Motor	Moteur	Motor
27	4.04231.0	Condensatore (ACC)	Condensor (ACC)	Condensateur (ACC)	Condensador (ACC)
	4.04186.0	Condensatore (SIMEL)	Condensor (SIMEL)	Condensateur (SIMEL)	Condensador (SIMEL)
28	4.03422.0	Presa	Socket	Prise	Toma
29	4.03713.0	Ventola	Fan	Ventilateur	Turbina
30	1.12286.0	Corpo bruciatore	Burner body	Corps	Corpo
31	1.11907.0	Boccaglio	Draught tube	Guelard	Boca de fuego
	1.11921.0	Boccaglio (ECO 20/L)	Draught tube (ECO 20/L)	Guelard (ECO 20/L)	Boca de fuego (ECO 20/L)
32	1.12023.0	Supporto gicleur	Nozzle holder	Support gicleur	Linea inyector
	1.11915.0	Supporto gicleur (ECO 20/L)	Nozzle holder (ECO 20/L)	Support gicleur (ECO 20/L)	Linea inyector (ECO 20/L)
33	1.11876.0	Supporto elettrodi	Electrodes holder	Support électrodes	Soporte electrodos
34	1.11888.0	Disco deflettore	Deflector	Deflecteur	Deflector
35	4.03210.0	Spina	Plug	Fiche	Enchufe
36	4.04116.0	Filtro antidisturbo	Antijamming filter	Filtre antiparasite	Filtro antiparasitario