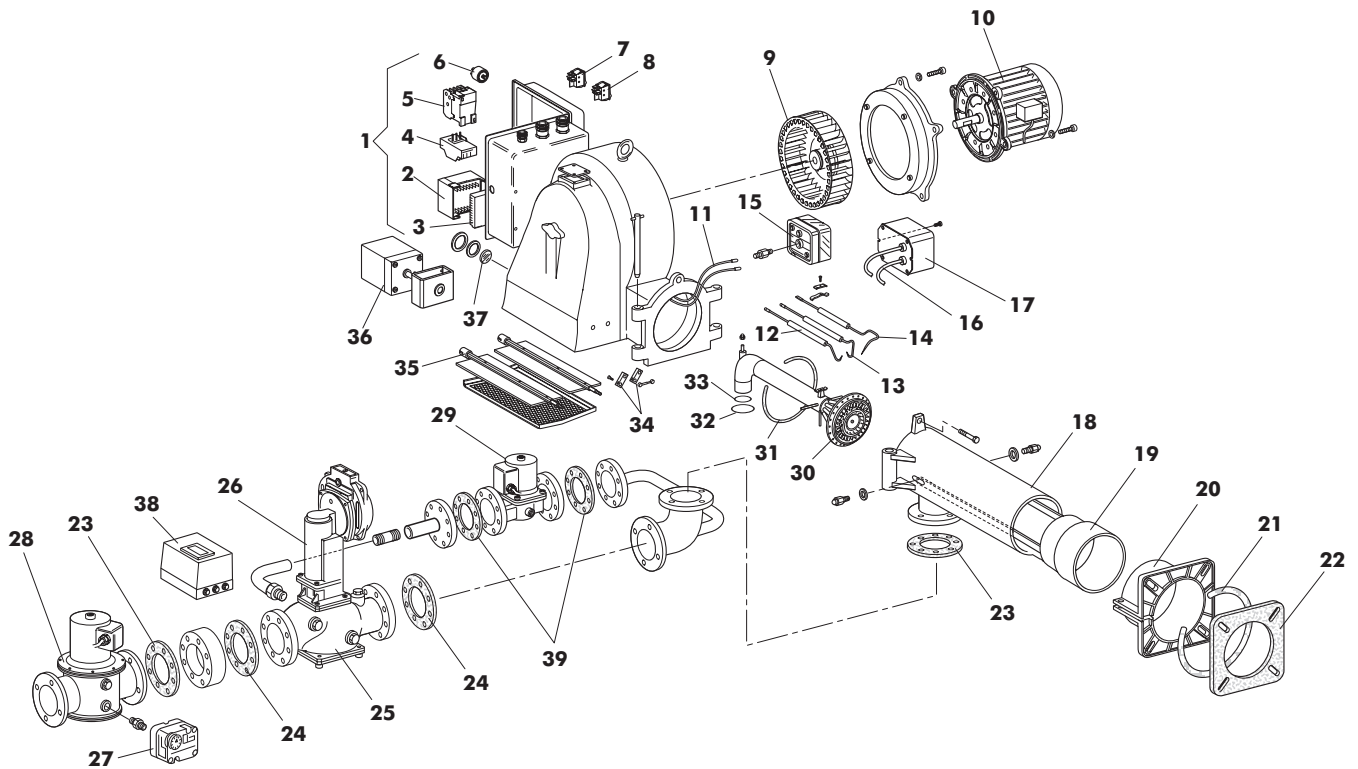


**430 PM/M - 65 - E**
**Cod. 835620**
**430 PM/M - 100 - E**
**Cod. 835630**
**TAV. 382**

Luglio 00



Pos.	Cod.	Denominazione	Denomination	Denomination	Denominación
1	8.01465.0	Quadro elettrico	Control board	G/Armoire	G/Cuadro eléctrico
2	4.01908.0	App. LFL 1.322	Control box	Coffret	Programador
3	4.01909.0	Base apparecchiatura	Base	Base	Base
4	4.01992.0	Relé termico	Thermal relay	Rélais thermique	Relais térmico
5	4.01991.0	Contattore	Contactor	Contacteur	Telerruptor
6	4.03472.0	Filtro antidisturbo	Antijamming filter	Filtre antiparasite	Filtro antiparasitario
7	4.03397.0	Pulsante luminoso	Switch	Interrupteur	Interruptor
8	4.03386.0	Interruttore luminoso	Switch	Interruteur	Interruptor
9	4.00641.0	Ventola	Fan	Ventilateur	Turbina
10	1.07699.0	Motore	Motor	Moteur	Motor
11	1.07596.0	Cavo elettrodo di controllo	Control electrode	Cable élect. controle	Cable electrodo ionización
12	4.03153.0	Elettrodo sinistro	Left electrode	Electrode gauche	Electrodo izquierda
13	4.03154.0	Elettrodo destro	Right electrode	Electrode droit	Electrodo diestra
14	4.03148.0	Elettrodo controllo	Control electrode	Electrode d'ionisation	Junta aislante
15	4.03460.0	Press. aria	Aire pressure switch	Pressostat air	Presostato aire
16	1.07595.0	Cavo elettrodo	Electrode cable	Cable électrode	Cable electrodo
17	4.00825.0	Trasformatore	Transformer	Transformateur	Transformador
18	1.10021.0	G/tubo convogliatore	Conveying tube	G/Tube diffuseur	G/Tube difusor
19	1.10022.0	Bocaglio	Draught tube	Gueulard	Boca de fuego
20	1.07588.0	Flangia attacco caldaia	Flange	Joint	Brida
21	1.02944.0	Corda isolante	Insulating rope	Corde isolante	Cuerda aislador
22	1.07675.0	Guarnizione isolante	Insulating gasket	Joint isolant	Junta aislante
23	9.00418.0	Guarniz. DN100-PN6	DN 100-PN6 UNI 2229 gasket	Joint DN 100-PN6 UNI 2229	Junta DN 100-PN6 UNI 2229
24	9.00097.0	Guarniz. DN65-PN10	DN65-PN10 gasket	Joint DN65-PN10	Junta DN65-PN10
	9.00087.0	Guarniz. DN80-PN10	DN80-PN10 gasket	Joint DN80-PN10	Junta DN80-PN10
25	4.03410.0	Corpo DN65 VGF10	Body DN65 VGF10	Corps DN65 VGF10	Cuerpo DN65 VGF10
	4.00762.0	Corpo DN80 VGF10	Body DN80 VGF10	Corps DN80 VGF10	Cuerpo DN80 VGF10
26	4.01944.0	Servomotore SKP 70	Sermomotor SKP 70	Servomoteur SKP 70	Servomotor SKP 70
27	4.01066.0	Press. gas GW50	Gas pressure switch	Pressostat gaz	Presostato gas
28	4.01820.0	V.E. HONEYWELL 4065	Valve HONEYWELL 4065	Vanne HONEYWELL 4065	Electroválvula HONEYWELL 4065
	4.03119.0	V.E. HONEYWELL 4100	Valve HONEYWELL 4100	Vanne HONEYWELL 4100	Electroválvula HONEYWELL 4100
29	4.03515.0	V.E. DUNGS MVD 504015	Valve DUNGS MVD 504015	Vanne DUNGS MVD 504015	Electroválvula DUNGS MVD 504015
30	1.07567.0	G/testata	Gas/head	G/Ligne int. gaz	G/Linea int. gas
31	1.07696.0	Guarnizione corpo	Body gasket	Joint corps	Junta cuerpo
32	1.07562.0	Guarniz. tubo alimentaz.	Feeding tube gasket	Joint tube gas	Junta tubo gas
33	3.00129.0	OR 6337	OR 6337	OR 6337	OR 6337
34	1.07834.0	Forcella	Bracket	Fourche	Horquilla
35	1.07836.0	Albero bandella	Air flap shaft	Arbre clapet d'air	Arbol palomilla aire
36	1.08418.0	Servocomando SQN30	Servo-control SQN30	Servomoteur SQN30	Servomando SQN30
37	1.50452.0	Vetro spia	Glass	Voyant	Vidrio
38	4.01865.0	Controllo tenuta VDK 200	VDK 200 seal. control	Controlleur VDK 200	Controlo VDK 200
39	9.00137.0	Guarniz. DN40-PN10	DN40-PN10 gasket	Joint DN40-PN10	Junta DN40-PN10