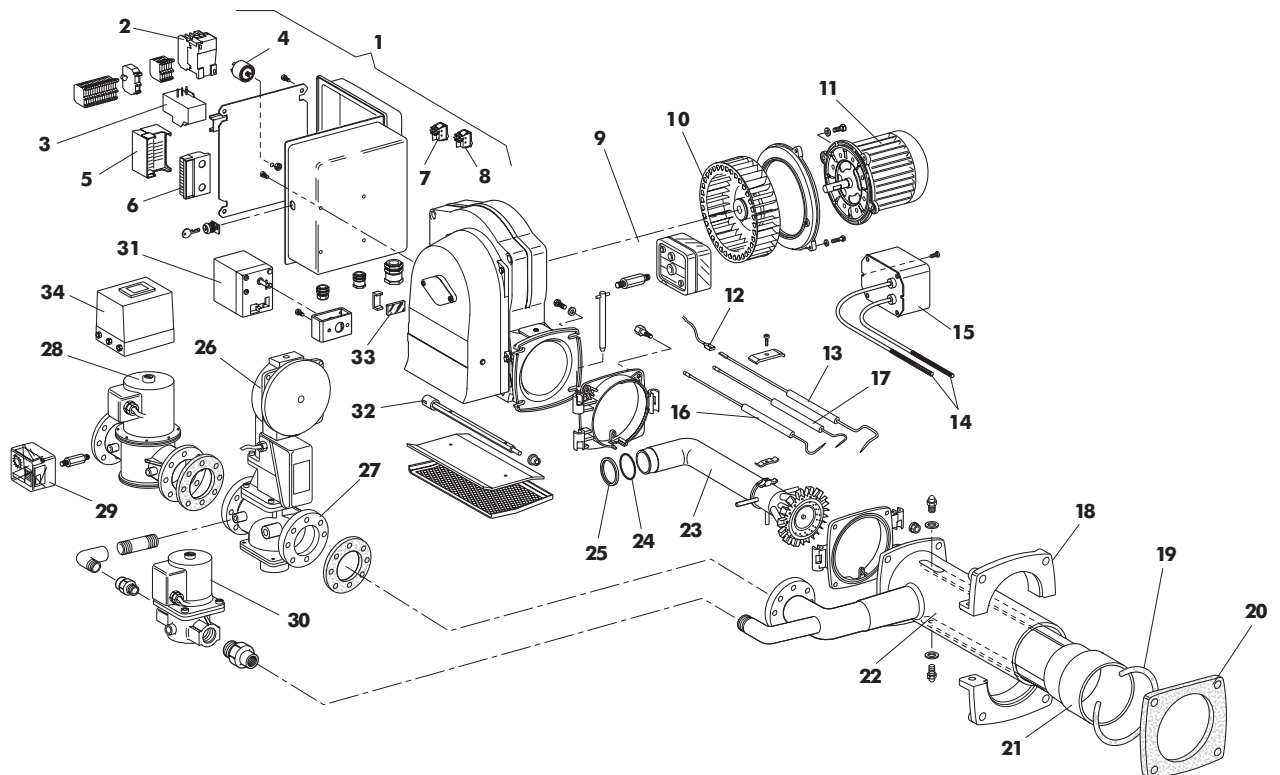


210 PM/M - 2 - E
Cod. 835431
210 PM/M - 80 - E
Cod. 835441
TAV. 380

Luglio 00



| Pos. | Cod. | Denominazione | Denomination | Denomination | Denominación |
|------|-----------|-----------------------------|-----------------------|------------------------|-------------------------------|
| 1 | 8.01469.0 | G/quadro elettrico | Control board | G/Armoire | G/Cuadro eléctrico |
| 2 | 4.70337.0 | Contattore | Contacteur | Contacteur | Telerruptor |
| 3 | 4.70313.0 | Relé termico | Thermal relay | Rélais thermique | Relais térmico |
| 4 | 4.03472.0 | Filtro antidisturbo | Antijamming filter | Filtre antiparasite | Filtro antiparasitario |
| 5 | 4.01908.0 | App. LFL 1.322 | LFL control box | Coffret LFL | Programador LFL |
| 6 | 4.01909.0 | Base apparecchiatura | Base | Base | Base |
| 7 | 4.03397.0 | Pulsante luminoso | Switch | Interrupteur | Interruptor |
| 8 | 4.03386.0 | Interruttore luminoso | Switch | Interrupteur | Interruptor |
| 9 | 4.03460.0 | Press. aria | Aire pressure switch | Pressostat air | Presostato aire |
| 10 | 4.01952.0 | Ventola | Fan | Ventilateur | Turbina |
| 11 | 1.07461.0 | Motore | Motor | Moteur | Motor |
| 12 | 1.10344.0 | Cavo elettrodo di controllo | Flame rod cable | Cable électr. controle | Cable electrodo ionización |
| 13 | 4.03117.0 | Elettrodo di controllo | Control electrode | Electrode d'ionisation | Junta aislante |
| 14 | 1.07595.0 | Cavo elettrodo | Electrode cable | Cable électrode | Cable electrodo |
| 15 | 1.08284.0 | Trasformatore | Transformer | Transformateur | Transformador |
| 16 | 4.03146.0 | Elettrodo sinistro | Left electrode | Electrode gauche | Electrodo izquierda |
| 17 | 4.03145.0 | Elettrodo destro | Right electrode | Electrode droit | Electrodo derecha |
| 18 | 1.07507.0 | Semiflangua | Flange | Joint | Brida |
| 19 | 1.00782.0 | Corda isolante | Insulating rope | Corde isolante | Cuerda aislador |
| 20 | 1.00788.1 | Guarnizione isolante | Insulating gasket | Joint isalant | Junta aislante |
| 21 | 1.09608.0 | Boccaglio | Draught tube | Gueulard | Boca de fuego |
| 22 | 1.10416.0 | G/tubo convogliatore 2" | Conveying tube | G/Tube diffuseur | G/Tube difusor |
| | 1.10419.0 | G/tubo convogliat. DN80 | Conveying tube | G/Tube diffuseur | G/Tube difusor |
| 23 | 1.09619.0 | G/testata | Gas/head | G/Ligne int. gaz | G/Linea int. gas |
| 24 | 3.00127.0 | OR 6287 | OR 6287 | OR 6287 | OR 6287 |
| 25 | 1.07470.0 | Guarniz. tubo alimentaz. | Feeding tube gasket | Joint tube gas | Junta tubo gas |
| 26 | 4.01944.0 | Servomotore SKP 70 | Servomotor SKP 70 | Servomoteur SKP 70 | Servomotor SKP 70 |
| 27 | 4.01813.0 | Corpo 2" VGG10 | 2" body VGG10 | Corps 2" VGG10 | Cuerpo 1 1/2" VGG10 |
| | 4.03411.0 | Corpo DN80 VGF10 | Body DN80 VGF10 | Corps DN80 VGF10 | Cuerpo DN80 VGF10 |
| 28 | 4.00780.0 | V.E. HONEYWELL 4050 | Valve HONEYWELL 4050 | Vanne HONEYWELL 4050 | Electroválvula HONEYWELL 4050 |
| | 4.01821.0 | V.E. HONEYWELL 4080 | Valve HONEYWELL 4080 | Vanne HONEYWELL 4080 | Electroválvula HONEYWELL 4080 |
| 29 | 4.01066.0 | Press. gas GW50 | Gas pressure switch | Pressostat gaz | Presostato gas |
| 30 | 4.03475.0 | V.E. HONEYWELL 4020 | Valve HONEYWELL 4020 | Vanne HONEYWELL 4020 | Electroválvula HONEYWELL 4020 |
| 31 | 1.08418.0 | Servocomando SQN30 | Servo-control SQN30 | Servomoteur SQN30 | Servomando SQN30 |
| 32 | 1.07908.0 | Albero bandella | Air flap shaft | Arbre clapet d'air | Arbol palomilla aire |
| 33 | 1.01038.0 | Vetrino | Glass | Voyant | Vidrio |
| 34 | 4.01865.0 | Controllo VDK 200 | VDK 200 seal. control | Controlleur VDK 200 | Controllo VDK 200 |