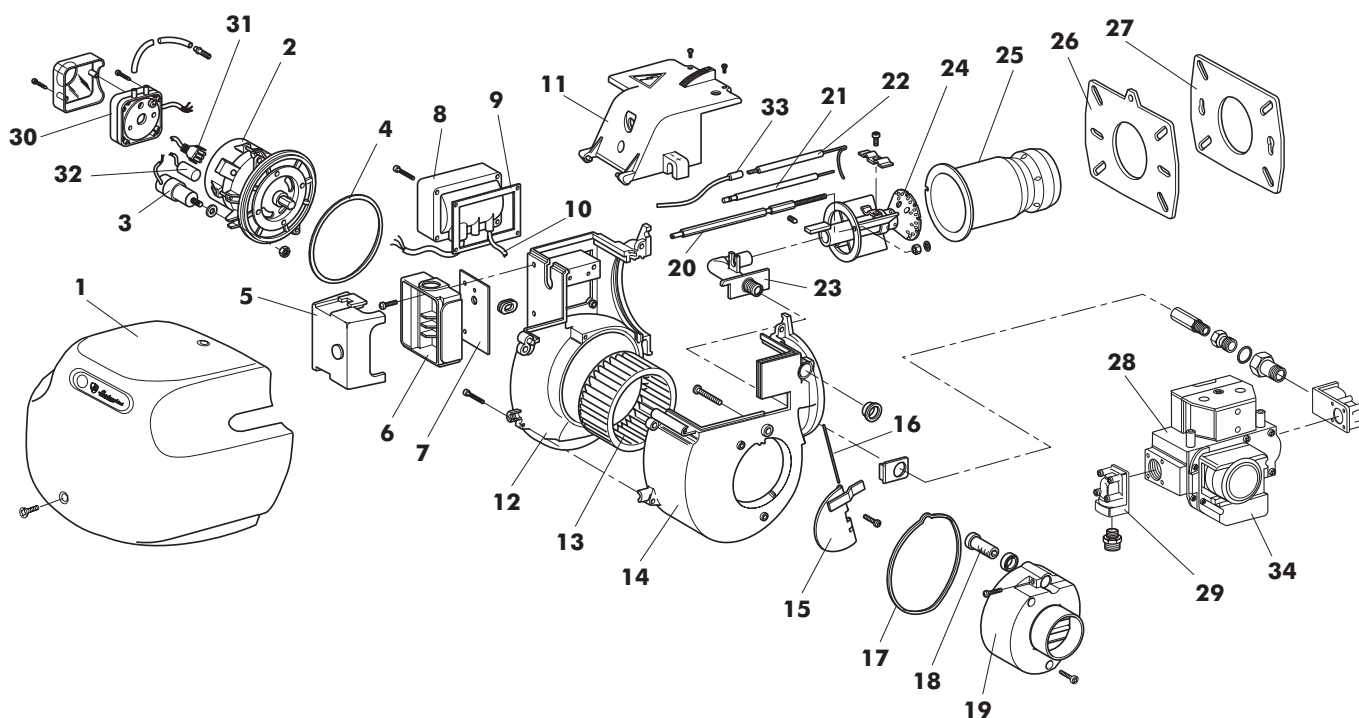


**FIME 5 S-E Cod. 850934**
**TAV. 383**

Febbraio 2007



| Pos. | Cod.      | Denominazione              | Denomination             | Denomination                       | Denominación                  |
|------|-----------|----------------------------|--------------------------|------------------------------------|-------------------------------|
| 1    | 1.10830.0 | Cofano                     | Cover                    | Capot                              | Tapa                          |
| 2    | 1.10089.0 | Motore                     | Motor                    | Moteur                             | Moteur                        |
| 3    | 4.03513.0 | Condensatore               | Condensor                | Condensateur                       | Condensador                   |
| 4    | 1.09681.0 | Guarnizione motore         | Motor gasket             | Joint moteur                       | Junta motor                   |
| 5    | 4.03623.0 | App. LMG 25                | LGM 25 control box       | Coffret de sécurité LGM 25         | Programador LGM 25            |
| 6    | 4.01551.0 | Base apparecchiatura       | Control box base         | Base coffret                       | Base programador              |
| 7    | 1.09683.0 | Guarnizione base app.      | Control box base gasket  | Joint base coffret                 | Junta base programador        |
| 8    | 4.03417.0 | Trasformatore              | Transformer              | Transformateur                     | Transformador                 |
| 9    | 1.09680.0 | Guarnizione trasformatore  | Transformer gasket       | Joint transformateur               | Junta transformador           |
| 10   | 1.09753.0 | Cavo elettrodo             | Electrode cable          | Cable électrode                    | Cable electrodo               |
| 11   | 1.10351.0 | Coperchio superiore        | Upper cover              | Couvercle supérieur                | Tara superior                 |
| 12   | 1.10931.0 | Semicorpo lato motore      | Half casing motor side   | Demi-corps côté moteur             | Semicuerpo lado motor         |
| 13   | 4.03400.0 | Ventola                    | Fan                      | Ventilateur                        | Turbina                       |
| 14   | 1.10796.0 | Semicorpo aspirazione aria | Air suction cover        | Demi-corps d'aspiration d'air      | Semicuerpo aspiracion aire    |
| 15   | 1.09167.0 | Bandella aria              | Air flap                 | Clapet d'air                       | Palomilla                     |
| 16   | 1.09168.0 | Perno bandella             | Air flap pin             | Pivot du clapet                    | Pernio clapeta                |
| 17   | 1.09679.0 | Guarnizione coperchio aria | Air suction cover gasket | Joint couvercle d'aspiration d'air | Junta tara aspiracion aire    |
| 18   | 1.09686.0 | Pomello regolazione aria   | Air adjustment knob      | Poignée réglage air                | Mando de regulacion aire      |
| 19   | 1.09692.0 | Coperchio aspirazione aria | Air suction cover        | Couvercle d'aspiration d'air       | Tara aspiracion aire          |
| 20   | 1.10894.0 | Vite regolazione testa     | Head adjustment screw    | Vis réglage tête                   | Tornillo de regulacion cabeza |
| 21   | 4.03474.0 | Elettrodo di accensione    | Ignition electrode       | Elec. d'allumage                   | Electrodo d'encendido         |
| 22   | 4.03219.0 | Elettrodo di controllo     | Flame rod                | Elec. ionisation                   | Electrodo ionisacion          |
| 23   | 1.10895.0 | Tubo alimentazione         | Feeding tube             | Ligne alimentation                 | Tubo alimentacion             |
| 24   | 1.10346.0 | G/Testata                  | Combustion head          | Tête du brûleur                    | Cabeza de combustion          |
| 25   | 1.09655.0 | Boccaglio                  | Draught tube             | Gueulard                           | Boca de fuego                 |
| 26   | 1.10407.0 | Flangia attacco caldaia    | Boiler connecting flange | Flange connex. chaudière           | Brida empalme caldera         |
| 27   | 1.09384.0 | Guarnizione isolante       | Insulating gasket        | Joint isolantes                    | Junta aislante                |
| 28   | 4.04130.0 | Valvola DUNGS GB-E 055     | Gas valve                | Electrovanne                       | Electrovalvula                |
| 29   | 4.03604.0 | Flangia valvola            | Valve flange             | Flange electrovanne                | Brida electrovalvula          |
| 30   | 4.03414.0 | Pressostato aria           | Air pressure switch      | Pressostat air                     | Presostato aire               |
| 31   | 1.09434.0 | Cavo spina motore          | Motor cable              | Cable du moteur                    | Cable motor                   |
| 32   | 4.03471.0 | Filtro antidisturbo        | Antijamming filter       | Filtre antiparasite                | Filtro antiparasitario        |
| 33   | 1.09278.0 | Cavo elett. di controllo   | Flame rod cable          | Cable élect. de contrôle           | Cable elect. ionisacion       |
| 34   | 4.03994.0 | Pressostato gas            | Gas pressure switch      | Pressostat gaz                     | Presostato gas                |