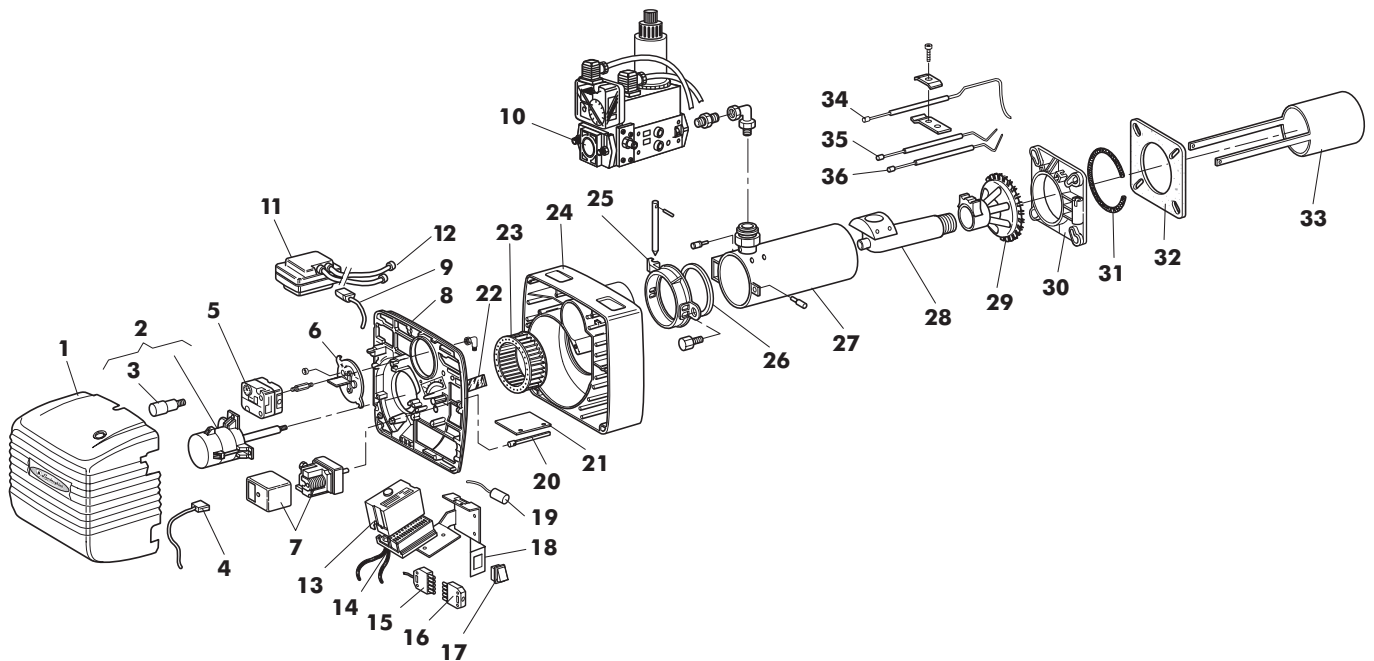


**EM 26/M - E Cod. 98.00111.0**
**TAV. 376**

Luglio 00



| Pos. | Cod.      | Denominazione                           | Denomination        | Denomination               | Denominación           |
|------|-----------|-----------------------------------------|---------------------|----------------------------|------------------------|
| 1    | 1.10970.0 | Cofano                                  | Cover               | Capot                      | Tapa                   |
| 2    | 1.10961.0 | Motore                                  | Motor               | Moteur                     | Moteur                 |
| 3    | 4.03615.0 | Condensatore                            | Condensor           | Condensateur               | Condensador            |
| 4    | 1.08761.0 | Cavo spina motore                       | Motor cable         | Cable du moteur            | Cable motor            |
| 5    | 4.03460.0 | Pressostato aria                        | Air pressure switch | Pressostat air             | Presostato aire        |
| 6    | 1.08854.0 | Flangia linea gicleur                   | Nozzle line flange  | Flange ligne gicleur       | Brida linea injector   |
| 7    | 4.03621.0 | Servocomando                            | Servo-control       | Servomoteur                | Servomotor             |
| 8    | 1.11109.0 | Piastra componenti                      | Components plate    | Plaque composants          | Placa componentes      |
| 9    | 1.08068.0 | Cavo spina trasformatore                | Transformer cable   | Cable transformateur       | Cable transformador    |
| 10   | 4.03617.0 | Valv. DUNGS MB-VEF 412 20 mbar          | Gas valve           | Electrovanne               | Electrovalvula         |
|      | 4.03618.0 | Valv. DUNGS MB-VEF 407-S10 30 mbar      | Gas valve           | Electrovanne               | Electrovalvula         |
|      | 4.03619.0 | Valv. DUNGS MB-VEF 407-S30 200-360 mbar | Gas valve           | Electrovanne               | Electrovalvula         |
| 11   | 4.03344.0 | Trasformatore                           | Transformer         | Transformateur             | Transformador          |
| 12   | 1.08485.0 | Cavo elettrodo                          | Electrode cable     | Cable électrode            | Cable electrodo        |
| 13   | 4.03610.0 | App.tipo LMG 22                         | LMG 22 control box  | Coffret de sécurité LMG 22 | Programador LMG 22     |
| 14   | 4.01551.0 | Base apparecchiatura                    | Control box base    | Base coffret               | Base programador       |
| 15   | 4.03435.0 | Connettore                              | Connector           | Connecteur                 | Conector multiple      |
| 16   | 4.03434.0 | Connettore                              | Connector           | Connecteur                 | Conector multiple      |
| 17   | 4.03386.0 | Interruttore                            | Switch              | Intérupteur                | Interruptor            |
| 18   | 1.09062.0 | Staffa apparecchiatura                  | Control box holder  | Support coffret            | Soporte programador    |
| 19   | 4.03471.0 | Filtro antidisturbo                     | Antijamming filter  | Filtre antiparasite        | Filtro antiparasitario |
| 20   | 1.10988.0 | Albero bandella                         | Air flap shaft      | Arbre clapet aire          | Arbol palomilla        |
| 21   | 1.08709.0 | Bandella aria                           | Air flap            | Clapet d'aire              | Palomilla              |
| 22   | 1.08747.0 | Vetrino                                 | Glass               | Voyant                     | Vidrio                 |
| 23   | 4.03309.0 | Ventola                                 | Fan                 | Ventilateur                | Turbina                |
| 24   | 1.08751.0 | Corpo bruciatore                        | Burner body         | Corps                      | Cuerpo                 |
| 25   | 1.07918.0 | Flangia cerniera                        | Hinge flange        | Flange pivotant            | Brida cuerpo           |
| 26   | 1.07917.0 | Guarnizione corpo                       | Body gasket         | Joint corps                | Junta cuerpo           |
| 27   | 1.09336.0 | Tubo convogliatore                      | Conveying tube      | Tube diffuseur             | Tube difusor           |
| 28   | 1.09335.0 | Collettore testata                      | Gas head            | Ligne int. gaz             | Linea int. gas         |
| 29   | 1.08880.0 | G/Testata                               | Gas head group      | G/ligne int. gaz           | G/linea int. gas       |
| 30   | 1.06591.0 | Flangia attacco caldaia                 | Connecting flange   | Flange connexion           | Brida de fisación      |
| 31   | 1.06593.0 | Corda isolante                          | Insulating rope     | Corde isolantes            | Cuerda aislador        |
| 32   | 1.09043.0 | Guarnizione isolante                    | Insulating gasket   | Joint isolantes            | Junta aislante         |
| 33   | 1.08875.0 | Boccaglio                               | Draught tube        | Gueulard                   | Boca de fuego          |
| 34   | 4.03279.0 | Elettrodo di controllo                  | Control electrode   | Electrode d'ionisation     | Electrodo ionización   |
| 35   | 4.01733.0 | Elettrodo destro                        | Right electrode     | Electrode droit            | Electrodo diestra      |
| 36   | 4.01734.0 | Elettrodo sinistro                      | Left electrode      | Electrode gauche           | Electrodo izquierda    |