

# CREATIS FF/FFB

Repère	Référence	Désignation	Quantité
1	S17941399	ENS.BOITE A FUMES FF 24KW	1,0000
1	S17943909	ENS.BOITE A FUMES FF 28KW	1,0000
1	S17941409	ENS.BOITE A FUMES FF 32KW	1,0000
2	S17941439	COUVERCLE B.A.F FF 24-28KW	1,0000
2	S17941449	COUVERCLE B.A.F FF 32KW	1,0000
3	S17880181	POCHETTE JOINTS B.A.F FF 24KW	1,0000
3	S17880182	POCHETTE JOINTS B.A.F FF 28KW	1,0000
3	S17880187	POCHETTE JOINTS B.A.F FF 32KW	1,0000
4	S17078092	VENTILATEUR P/24-28KW FF	1,0000
4	S17078093	VENTILATEUR P/32KW FF	1,0000
5	S17075553	PRESSOSTAT P/24KW FF	1,0000
5	S17075554	PRESSOSTAT P/28-32KW FF	1,0000
6	S17075395	ENS.ADAPTATEUR B.A.F FF 24KW	1,0000
6	S17075396	ENS.ADAPTATEUR B.A.F FF 28KW	1,0000
6	S17075397	ENS.ADAPTATEUR B.A.F FF 32KW	1,0000
7	S17076141	REPARTITEUR B.A.F FF 24-28KW	1,0000
7	S17076142	REPARTITEUR B.A.F FF 32KW	1,0000
8	S17942099	SUPPORT VENT.B.A.F FF 24-28KW	1,0000
8	S17942148	SUPPORT VENTILAT.B.A.F FF 32KW	1,0000
9	S17941969	ENS.COLONNE B.A.F FF 24KW	1,0000
9	S17001110	ENS.COLONNE B.A.F FF 28KW	1,0000
9	S17001111	ENS.COLONNE B.A.F FF 32KW	1,0000
10	S17007179	TUBE SILICONE 4x6 SOUPLE RACCORD P/LGW3(LE M)	1,0000
12	S17071466	ENS.CABLE VENTILAT./VANNE P/FF	1,0000
13	S17071467	ENS.CONDENSATEUR B.A.F P/FF	1,0000
14	S17880188	SACHET VISSERIE B.A.F FF	1,0000
15	S17076345	DIAPHRAGME AIR COLONNE 28KW FF	1,0000
15	S17076346	DIAPHRAGME AIR COLONNE 32KW FF	1,0000
16	S17001599	BRIDE FIXATION BITUBE	1,0000

# CREATIS FF/FFB



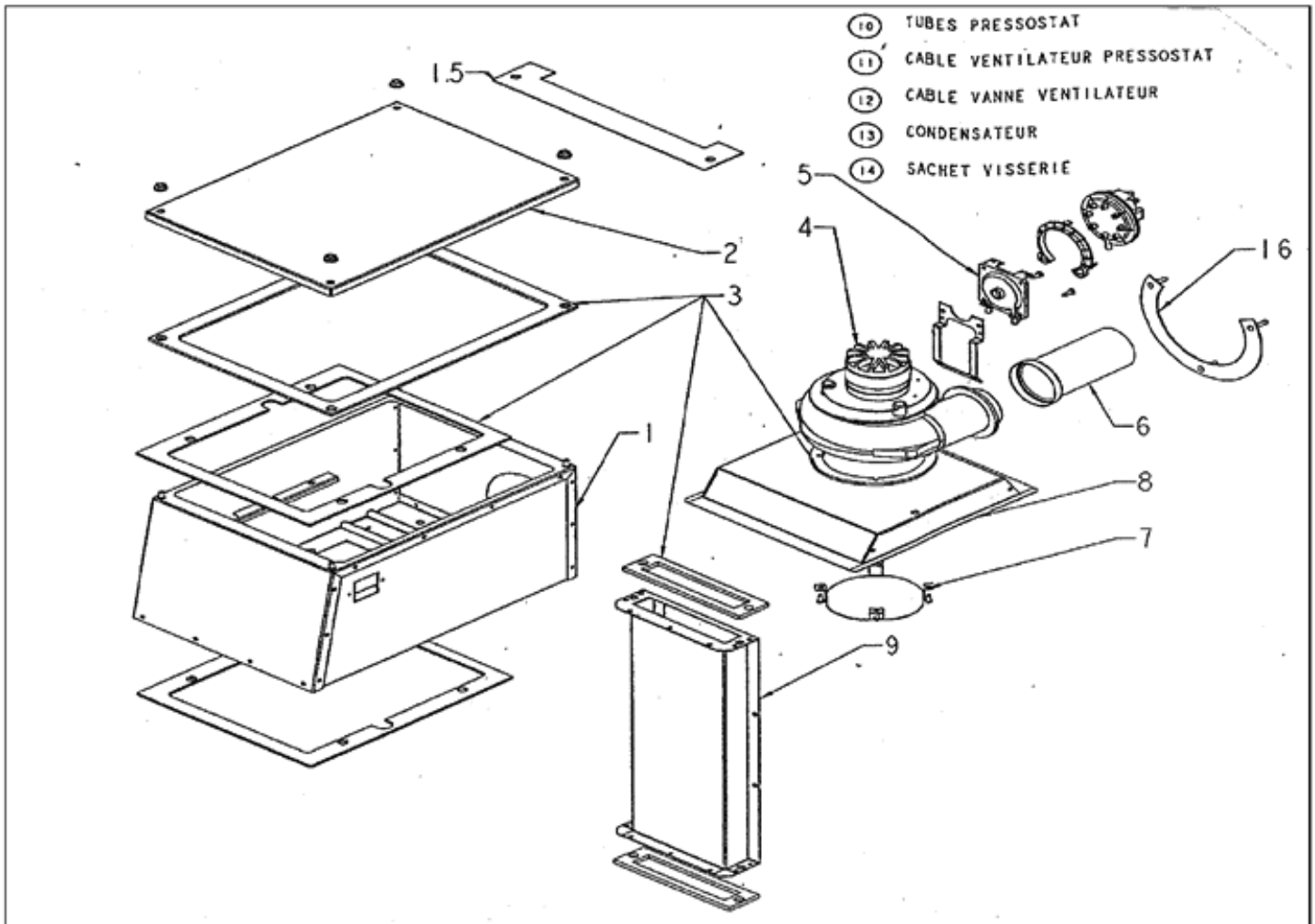
CREATIS FF FFB H et V

A PARTIR DE 1997

N° 1859

BOITE A FUMEE

87 F





# CREATIS FF/FFB

Repère	Référence	Désignation	Quantité
1	S17943909	ENS.BOITE A FUMES FF 28KW	1,0000
1	S17941409	ENS.BOITE A FUMES FF 32KW	1,0000
2	S17941439	COUVERCLE B.A.F FF 24-28KW	1,0000
2	S17941449	COUVERCLE B.A.F FF 32KW	1,0000
3	S17880182	POCHETTE JOINTS B.A.F FF 28KW	1,0000
3	S17880187	POCHETTE JOINTS B.A.F FF 32KW	1,0000
4	S17078092	VENTILATEUR P/24-28KW FF	1,0000
4	S17078093	VENTILATEUR P/32KW FF	1,0000
5	S17075553	PRESSOSTAT P/24KW FF	1,0000
5	S17075554	PRESSOSTAT P/28-32KW FF	1,0000
7	S17076141	REPARTITEUR B.A.F FF 24-28KW	1,0000
7	S17076142	REPARTITEUR B.A.F FF 32KW	1,0000
8	S17942099	SUPPORT VENT.B.A.F FF 24-28KW	1,0000
8	S17942148	SUPPORT VENTILAT.B.A.F FF 32KW	1,0000
9	S17001110	ENS.COLONNE B.A.F FF 28KW	1,0000
9	S17001111	ENS.COLONNE B.A.F FF 32KW	1,0000
10	S17007179	TUBE SILICONE 4x6 SOUPLE RACCORD P/LGW3(LE M)	1,0000
11	S17071465	ENS.CABLE VENTIL/PRESSOST.P/FF	1,0000
12	S17071466	ENS.CABLE VENTILAT./VANNE P/FF	1,0000
13	S17071467	ENS.CONDENSATEUR B.A.F P/FF	1,0000
14	S17880188	SACHET VISSERIE B.A.F FF	1,0000
15	S17935214	DIAPHRAGME AIR 24KW (6)GO VENT	1,0000
15	S17935224	DIAPHRAGME AIR 24KW (7)GO VENT	1,0000
15	S17907124	DIAPHRAGME AIR 28KW (X8)	1,0000
15	S17907134	DIAPHRAGME AIR 28KW (X=10)	1,0000
15	S17907184	DIAPHRAGME COMPLEM. (x=17)	1,0000
15	S17907194	DIAPHRAGME COMPLEM.(X=7)	1,0000
15	S17907204	DIAPHRAGME AIR 32KW (X=11)	1,0000
16	S17001599	BRIDE FIXATION BITUBE	1,0000
17	S17938824	REPARTITEUR AIR VENTOUSE 98	1,0000

# CREATIS FF/FFB



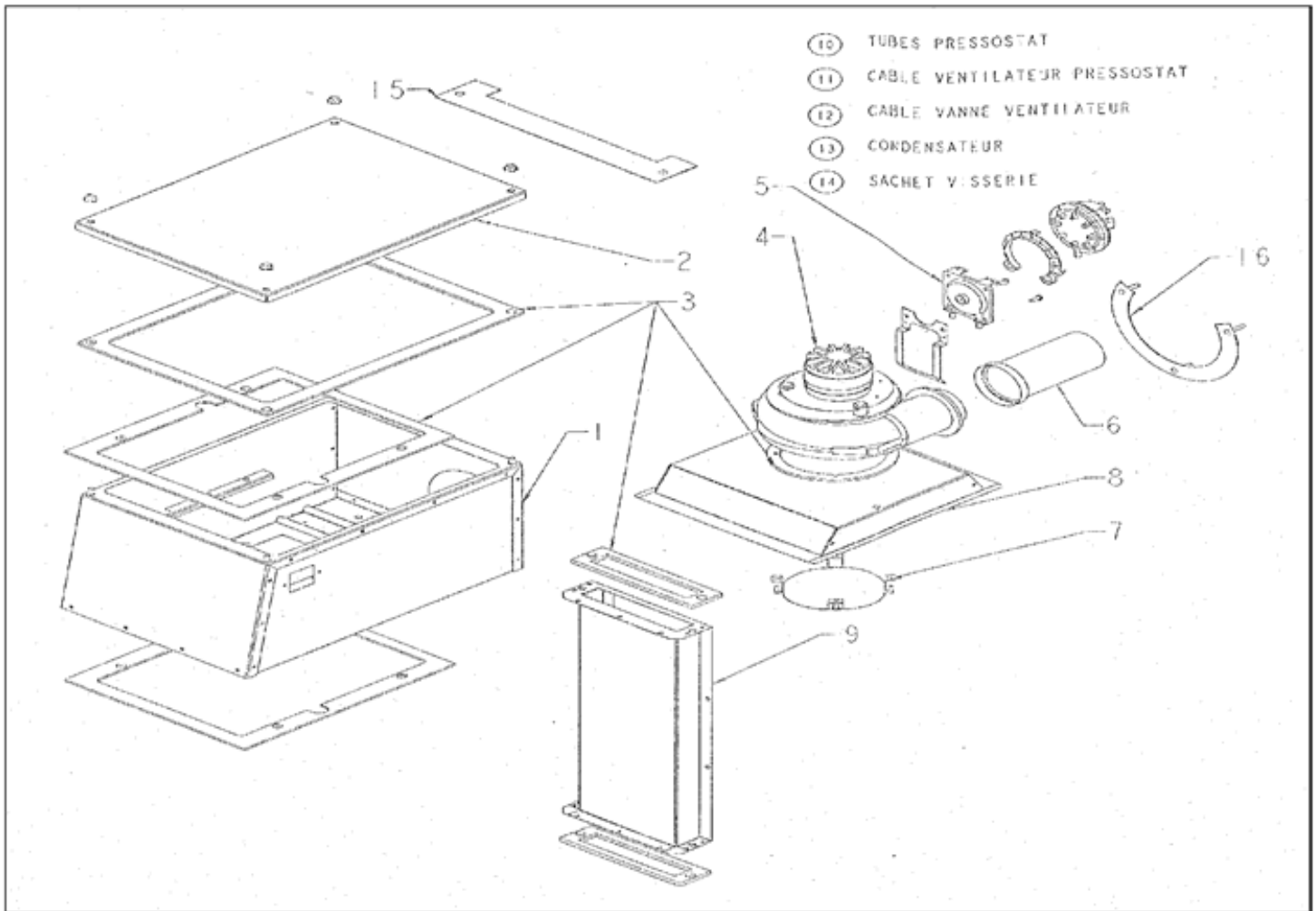
CREATIS FF FFB H et V

A PARTIR DE 1997

N° 1869

BOITE A FUMEE

87 F





# CREATIS FF/FFB

Repère	Référence	Désignation	Quantité
1	S17074499	ENS.VANNE HONEY.BRUL.VENTOUSE (GP.0 ==> GP.6 le 05/04/02)	1,0000
2	S17000602	BOITIER ALLUM.S4565 C 1025B (anc.libel:bloc secu.b842s/brid)	1,0000
3	S17942039	ENS.SUPPORT BRULEUR 24KW FF	1,0000
3	S17943899	ENS.SUPPORT BRULEUR 28KW FF	1,0000
3	S17942049	ENS.SUPPORT BRULEUR 32KW FF	1,0000
5	S17000838	BRULEUR	1,0000
6	S17942054	PLAQUE BRULEUR 24KW FF	1,0000
6	S17943884	PLAQUE BRULEUR 28KW FF	1,0000
6	S17942064	PLAQUE BRULEUR 32KW FF	1,0000
7	S17006264	ENS.RAMPE GAZ 24KW FF	1,0000
7	S17006269	ENS.RAMPE GAZ 28KW FF	1,0000
7	S17006265	ENS.RAMPE GAZ 32KW FF	1,0000
8	S17002052	ENS.ALLUM.ET DETECTION L=60	1,0000
9	S17076144	ENS.OEILLETON	1,0000
10a	S17076145	POCHETTE INJECTEURS G.N 24A32	1,0000
10b	S17076146	POCHETTE INJECTEURS G.P 24/32	1,0000
10b	S17076147	POCHETTE INJECTEURS G.P 28KW	1,0000
8a	S17076143	ENS.SUPPORT ALLUMAGE/DETECTION	1,0000

# CREATIS FF/FFB



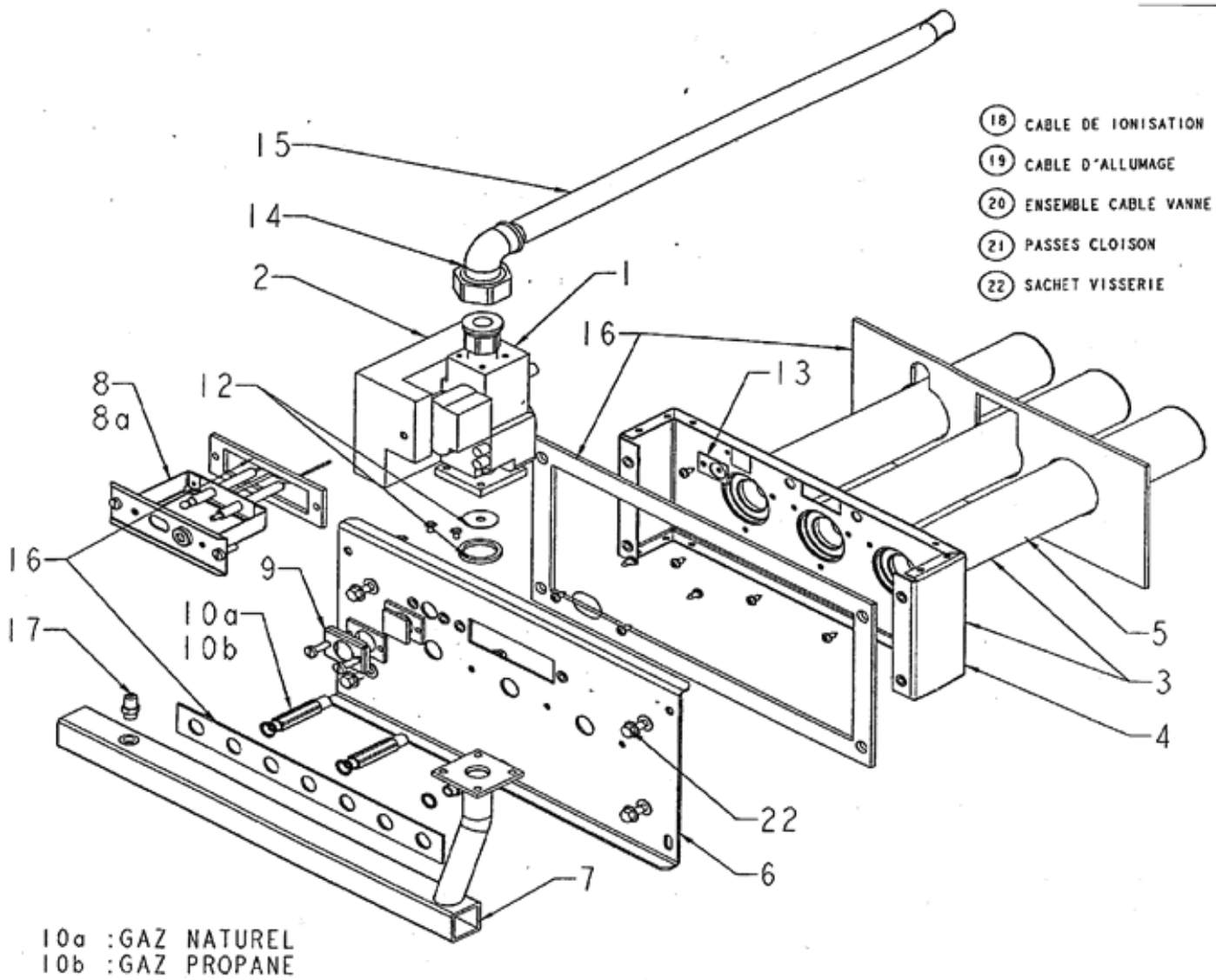
CREATIS FF FFB H et V

A PARTIR DE 1997

N° 1858

BRULEUR

83 D







# CREATIS FF/FFB

Repère	Référence	Désignation	Quantité
1	S17074499	ENS.VANNE HONEY.BRUL.VENTOUSE (GP.0 ==> GP.6 le 05/04/02)	1,0000
2	S17000602	BOITIER ALLUM.S4565 C 1025B (anc.libel:bloc secu.b842s/brid)	1,0000
3	S17942039	ENS.SUPPORT BRULEUR 24KW FF	1,0000
3	S17942049	ENS.SUPPORT BRULEUR 32KW FF	1,0000
5	S17000838	BRULEUR	1,0000
6	S17942054	PLAQUE BRULEUR 24KW FF	1,0000
6	S17942064	PLAQUE BRULEUR 32KW FF	1,0000
7	S17006264	ENS.RAMPE GAZ 24KW FF	1,0000
7	S17006265	ENS.RAMPE GAZ 32KW FF	1,0000
8	S17002052	ENS.ALLUM.ET DETECTION L=60	1,0000
9	S17076144	ENS.OEILLETON	1,0000
12	S17076148	DIAPHRAGME + JOINT 24KW FF	1,0000
12	S17076149	DIAPHRAGME + JOINT 28KW FF	1,0000
12	S17076150	DIAPHRAGME + JOINT 32KW FF	1,0000
13	S17076151	ENS.MICA	1,0000
14	SN9125910	COUDE UNION M-F 1/2"	1,0000
15	S17007207	ENS.TUBE GAZ	1,0000
16	S17076138	POCHETTE JOINTS BRUL.24/28KW FF	1,0000
16	S17076140	POCHETTE JOINTS BRUL.32KW FF	1,0000
17	S17006201	OLIVE PRISE DE PRESSION	1,0000
18	S15825675	CABLE IONISATION	1,0000
19	S15825674	CABLE ALLUMAGE	1,0000
20	S17071464	CABLE DE VANNE	1,0000
21	S17076137	SACHET PASSE CLOISON	1,0000
22	S17076136	SACHET VISSERIE BRULEUR FF	1,0000
10a	S17406523	KIT GAZ NAT.24/28/32 FF-FFB	1,0000
10b	S17406521	KIT GAZ PROPANE 24/32 FF-FFB	1,0000
8a	S17076143	ENS.SUPPORT ALLUMAGE/DETECTION	1,0000

# CREATIS FF/FFB



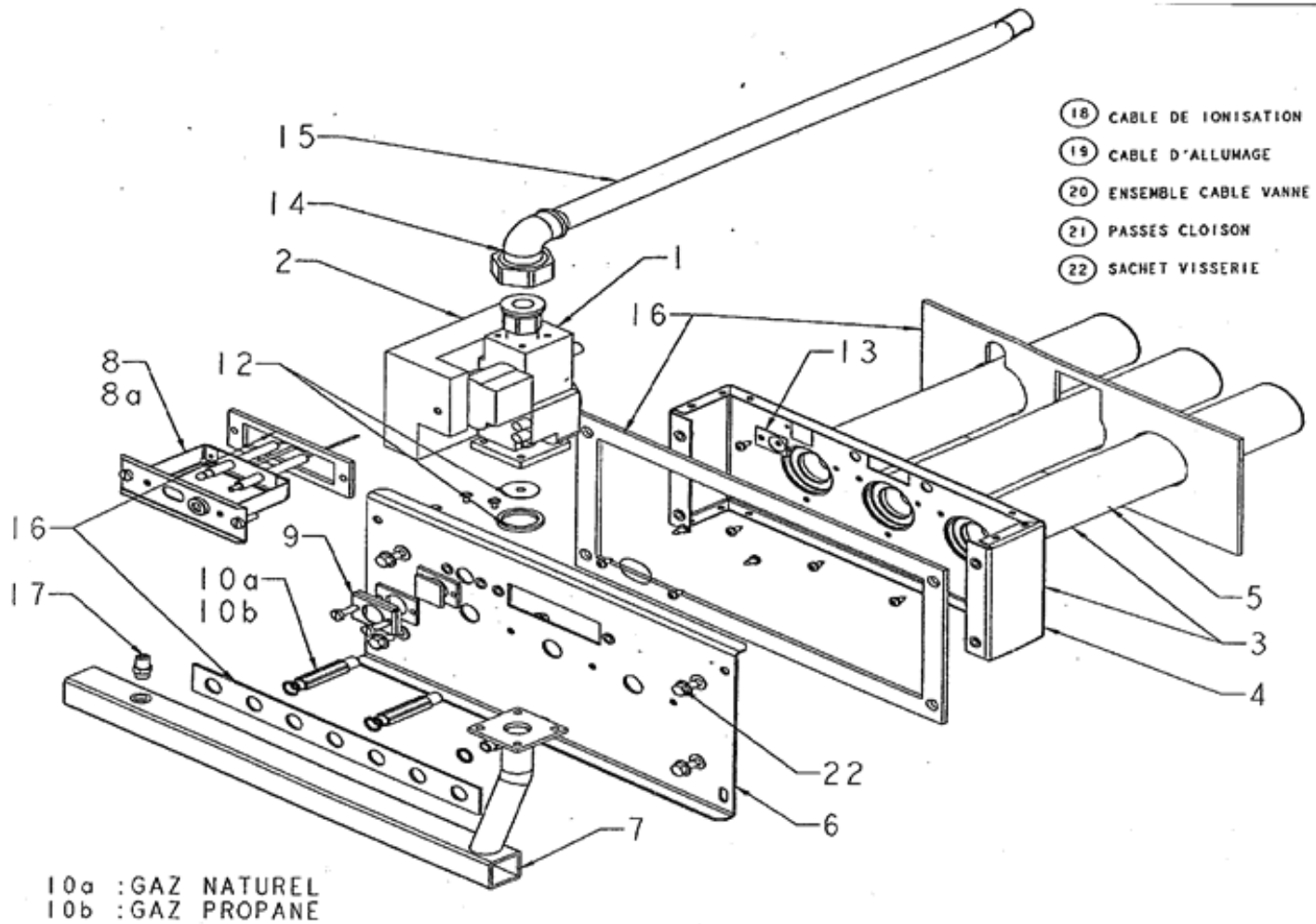
CREATIS FF FFB H et V

A PARTIR DE 1997

N° 1867

BRULEUR version 2

87 E





## CREATIS FF/FFB

Repère	Référence	Désignation	Quantité
1	S17880448	CORPS CAISSON ASS.28KW FF	1,0000
1	S17880449	CORPS CAISSON ASS.32KW FF	1,0000
1	S17880337	CORPS CAISSON ASS.28KW FFB	1,0000
1	S17880338	CORPS CAISSON ASS.32KW FFB	1,0000
2	S17941459	ENS.SOCLE 24-28KW FF	1,0000
2	S17941469	ENS.SOCLE 32KW FF	1,0000
2	S17942559	ENS.SOCLE P/FFB	1,0000
3	S170864EA	DOIGT DE GANT 1/2" L=210	1,0000
4	S17006472	ROBINET DE VIDANGE 1/2"	1,0000
5	S15921110	TE 1" GF135	1,0000
6	SN9125160	BOUCHON FEM.NR.300 1"	1,0000
7	S159148EA	BOUCHON R 3/4"	2,0000
8	S17001076	CLIPS MAINTIEN CAPILAIRE	1,0000
9	S17006458	RESSORT PR GAINÉ 120MM	1,0000
10	S17070739	CALORIFUGE CORPS 24-28 FF-FFB	1,0000
10	S17070740	CALORIFUGE CORPS 32KW FF-FFB	1,0000
12	S17942604	BRIDE FIXAT.SOCLE P/LE.B-LT.B	2,0000
13	S17943824	REPARTITEUR AIR 28KW FF-FFB	1,0000
13	S17943834	REPARTITEUR AIR 32KW FF-FFB	1,0000
11A	S17004849	FLEXIBLE DBLE COUDE 3/4" L=650 DEPART 120LH GO97	1,0000
11A	S17004848	FLEXIBLE DBLE COUDE 3/4" L=400 RETOUR	1,0000
11B	S15929187	MAMELON MM 3/4"	2,0000

# CREATIS FF/FFB



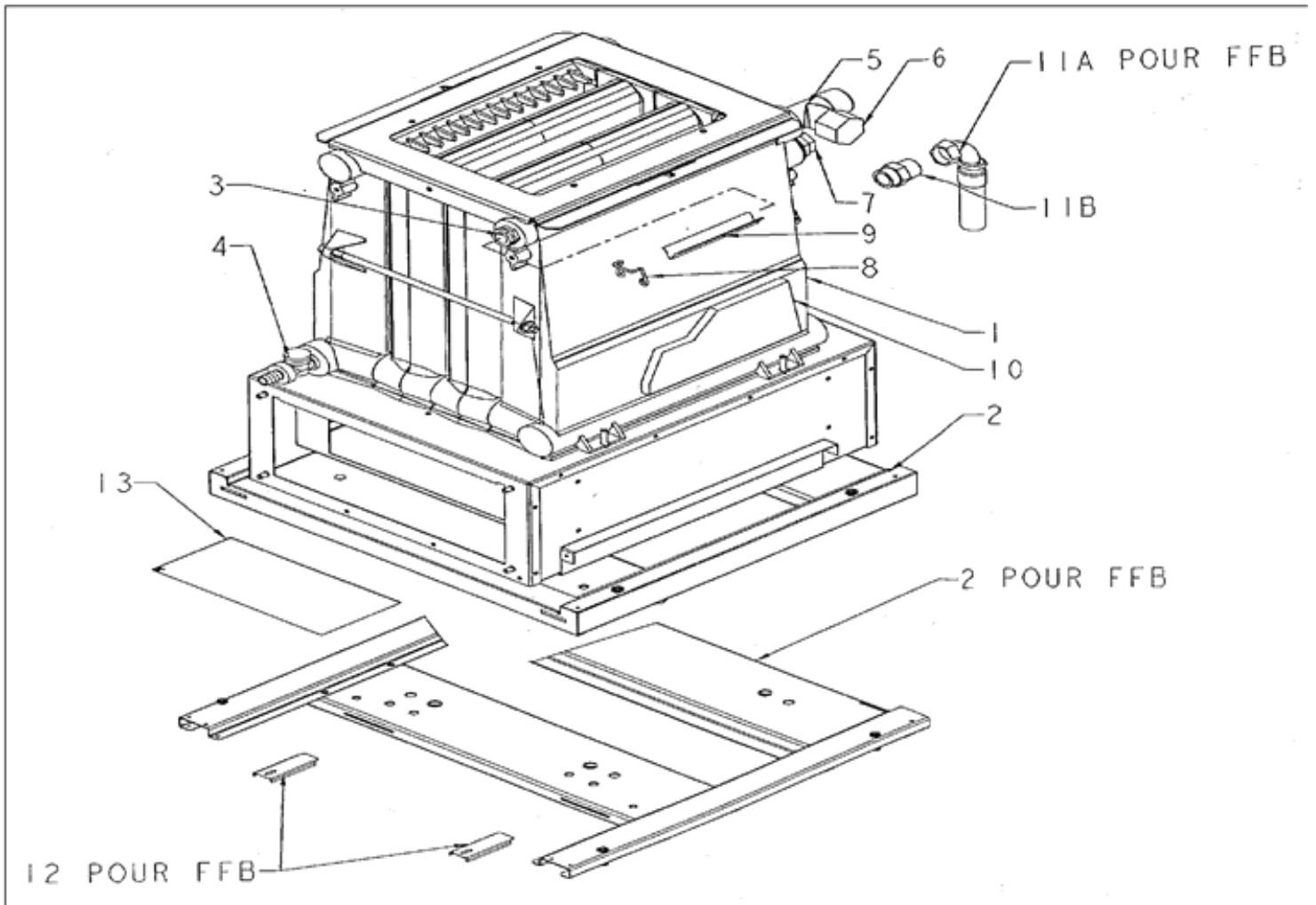
CREATIS FF FFB H et V

A PARTIR DE JUIN 1998

N° 1866

CORPS ET CAISSON version 2

87 C



# CREATIS FF/FFB

Repère	Référence	Désignation	Quantité
1	S17942429	COTE DROIT "LE" BLANC	1,0000
2	S17942439	COTE GAUCHE "LE" BLANC	1,0000
3	S17941916	PANNEAU DESSUS P/24-28KW VENT.	1,0000
3	S17941926	PANNEAU DESSUS 32KW VENTOUSE	1,0000
4	S17941896	TOLE FACADE INTERNE 24-28 FF	1,0000
4	S17941906	TOLE FACADE INTERNE 32KW VENT.	1,0000
6	S17002510	COUVERCLE PMMA L=466	1,0000
6	S17002511	COUVERCLE PMMA LG=606	1,0000
7	S17942469	PORTE/RENFORT 18A28KW"LE"BLANC	1,0000
7	S17942479	PORTE/RENFORT 32-36"LE" BLANC	1,0000
8	S17070723	SACHET VISSERIE AIMANT	1,0000
9	S17942586	EQUERRE FIXATION TABLEAU	1,0000
10	S17880177	SACHET VISSERIE	1,0000
2A	S17880174	SACHET CHARNIERE	1,0000
5D	S17941844	TOLE ARRIERE DROIT 24-28 VENT.	1,0000
5D	S17941854	TOLE ARRIERE DROIT 32KW VENT.	1,0000
5G	S17941864	TOLE ARRIERE GAUCHE 24-28 VENT	1,0000
5G	S17941874	TOLE ARRIERE GAUCHE 32KW VENT.	1,0000
6A	S17880178	SACHET AXES/BUTEES COUVERCLE	1,0000

# CREATIS FF/FFB



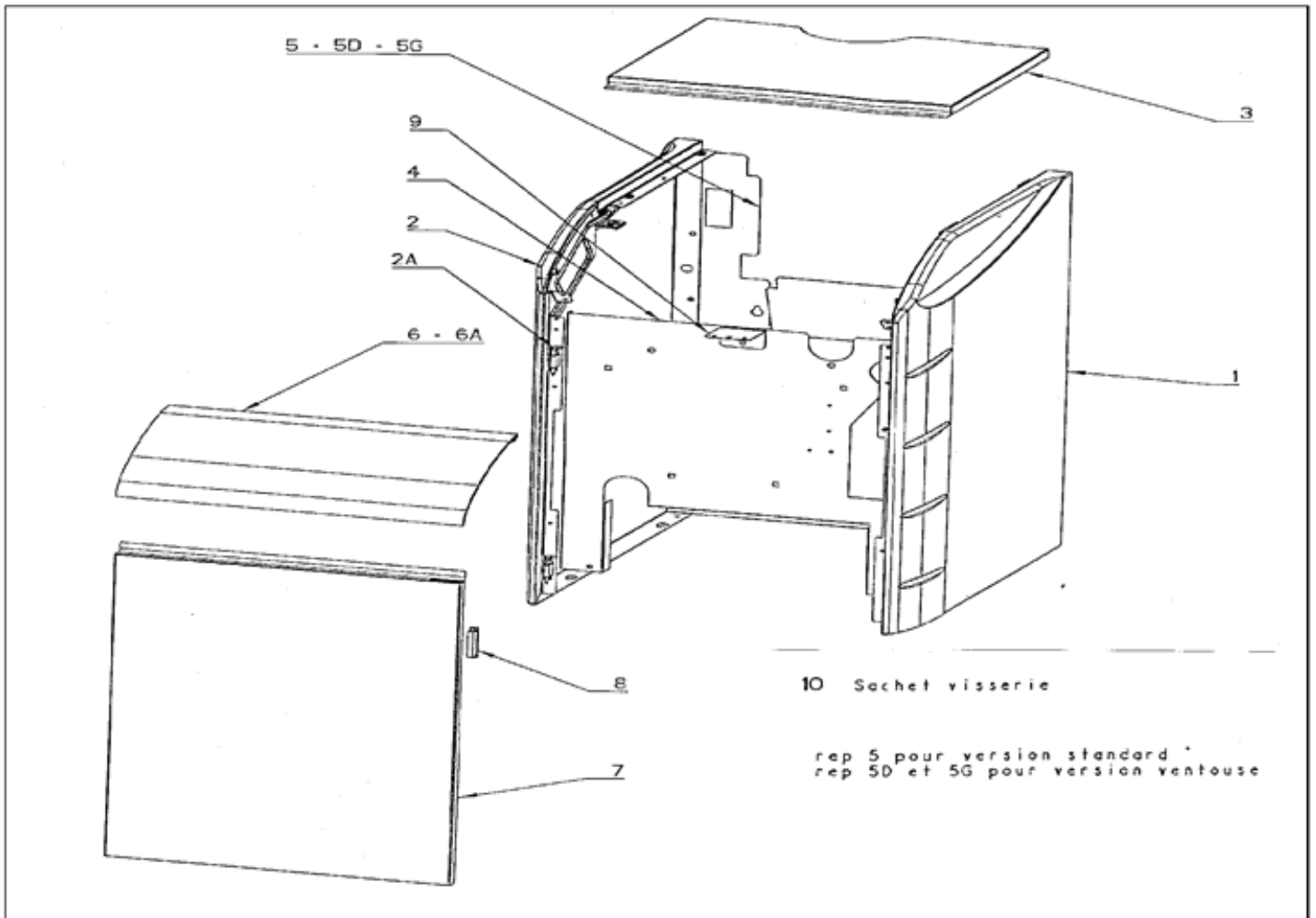
CREATIS FF H et V

A PARTIR DE 1997

N° 1860

HABILLAGE

89







# CREATIS FF/FFB

Repère	Référence	Désignation	Quantité
0	S17880955	TABLEAU CPLT E540 18A28KW E-FF	1,0000
0	S17880956	TABLEAU CPLT E680 32/36KW E-FF	1,0000
1	S17941609	BOITIER ASS.540 18A28KW E-FF	1,0000
1	S17941619	BOITIER ASS.680 32/36KW E-FF	1,0000
2	S17007500	FACADE UTILE ASS.540 18A28KW	1,0000
2	S17007501	FACADE UTILE ASS.680 32/36KW	1,0000
3	S17942644	FACADE INSTALLATEUR E	1,0000
4	S17007061	THERMOMETRE RECT.20°A120°	1,0000
5	S15804020	INTERRUPTEUR 300 B5 NN	2,0000
6	S158314FA	INTERRUPTEUR VOYANT ROUGE	1,0000
7	S15838263	VOYANT RECTANGULAIRE ROUGE	1,0000
8	S15838264	VOYANT RECTANGULAIRE ORANGE	1,0000
9	S17005591	PLATINE D'OBTURATION	1,0000
10	S17007004	THERMOSTAT TXA 4C 018-30/90°(anc.lib:TUA 4C 117 le 16/04/02)	1,0000
11	S17004739	MANETTE THERMOSTAT	1,0000
12	S15804085	INTERRUPTEUR UNIPOL.MOMENTANE	1,0000
13	S17006940	THERMOSTAT RAK 77.44.71	1,0000
14	S15804095	INVERSEUR BIPOL.+ POINT MILIEU	1,0000
15	S15803999	PORTE FUSIBLE	1,0000
15A	S15803592	FUSIBLE VERRE T4A D=5X20	1,0000
16	S17941704	SUPPORT BORNIER	1,0000
17	S17071469	CABLAGE TABLEAU E	1,0000
18	S17880179	SACHET PASSE-FIL	1,0000
19	S17880173	SACHET VISSERIE TABLEAU E-FF	1,0000

# CREATIS FF/FFB



CREATIS FF H et V

A PARTIR DE 1997

N° 1862

TABLEAU DE COMMANDE

83 A

