

 <b>IDEAL STANDARD</b> <small>UN CHAUFFAGE D'AVANCE</small>	<b>PIECES DE RECHANGE</b>
BAXI France - 157, Avenue Charles Floquet - 93158 Le Blanc Mesnil Cedex - Téléphone 33 (0)1 45 91 56 00 - Télécopie 33 (0)1 45 91 59 90	

<b>N° 2437</b>	<b>CREATIS 4 EASY</b>
----------------	-----------------------

<b>HABILLAGE</b>	<b>2003</b>
------------------	-------------

REP	DESIGNATIONS	PIECES COMMUNES		PIECES SPECIFIQUES			
		Qté	Code	Qté	Qté	Qté	Qté
1	ENS. PORTE 9 ELEM.	1	S136325B				
1	ENS. PORTE 10 ELEM.	1	S136326B				
1	ENS. PORTE 11 ELEM.	1	S136327B				
1	ENS. PORTE 12 ELEM.	1	S136328B				
1	ENS. PORTE 13 ELEM.	1	S136329B				
1	ENS. PORTE 14 ELEM.	1	S136330B				
1	ENS. PORTE 15 ELEM.	1	S136331B				
1	ENS. PORTE 16 ELEM.	1	S136332B				
1	ENS. PORTE 17 ELEM.	1	S136333B				
1	ENS. PORTE 18 ELEM.	1	S136334B				
1	ENS. PORTE 20 ELEM.	1	S136335B				
1	ENS. PORTE 22 ELEM.	1	S136336B				
2	FACADE BANDEAU 9 ELEM.	1	S136239H				
2	FACADE BANDEAU 10 ELEM.	1	S135998H				
2	FACADE BANDEAU 11 ELEM.	1	S135999H				
2	FACADE BANDEAU 12 ELEM.	1	S136000H				
2	FACADE BANDEAU 13 ELEM.	1	S136001H				
2	FACADE BANDEAU 14 ELEM.	1	S136002H				
2	FACADE BANDEAU 15 ELEM.	1	S136003H				
2	FACADE BANDEAU 16 ELEM.	1	S136004H				
2	FACADE BANDEAU 17 ELEM.	1	S136005H				
2	FACADE BANDEAU 18 ELEM.	1	S136006H				
2	FACADE BANDEAU 20 ELEM.	1	S136007H				
2	FACADE BANDEAU 22 ELEM.	1	S136008H				
3	ENS. BOITIER BANDEAU 9 ELEM.	1	S136638				
3	ENS. BOITIER BANDEAU 10 ELEM.	1	S136639				
3	ENS. BOITIER BANDEAU 11 ELEM.	1	S136640				
3	ENS. BOITIER BANDEAU 12 ELEM.	1	S136641				
3	ENS. BOITIER BANDEAU 13 ELEM.	1	S135985				
3	ENS. BOITIER BANDEAU 14 ELEM.	1	S135986				
3	ENS. BOITIER BANDEAU 15 ELEM.	1	S135987				
3	ENS. BOITIER BANDEAU 16 ELEM.	1	S135988				
3	ENS. BOITIER BANDEAU 17 ELEM.	1	S135989				
3	ENS. BOITIER BANDEAU 18 ELEM.	1	S135990				
3	ENS. BOITIER BANDEAU 20 ELEM.	1	S135991				
3	ENS. BOITIER BANDEAU 22 ELEM.	1	S135992				

# CREATIS 4 EASY

 <b>IDEAL STANDARD</b> <small>UN CHAUFFAGE D'AVANCE</small>		<b>PIECES DE RECHANGE</b>					
<b>N° 2437</b>		<b>CREATIS 4 EASY</b>					
<b>HABILLAGES</b>					<b>2003</b>		
REP	DESIGNATIONS	PIECES COMMUNES		PIECES SPECIFIQUES			
		Qté	Code	Qté	Qté	Qté	Qté
4	DESSUS AVANT 9 ELEM.	1	S135928B				
4	DESSUS AVANT 10 ELEM.	1	S135929B				
4	DESSUS AVANT 11 ELEM.	1	S135930B				
4	DESSUS AVANT 12 ELEM.	1	S135927B				
4	DESSUS AVANT 13 ELEM.	1	S135931B				
4	DESSUS AVANT 14 ELEM.	1	S135932B				
4	DESSUS AVANT 15 ELEM.	1	S135933B				
4	DESSUS AVANT 16 ELEM.	1	S135934B				
4	DESSUS AVANT 17 ELEM.	1	S135935B				
4	DESSUS AVANT 18 ELEM.	1	S135936B				
4	DESSUS AVANT 20 ELEM.	1	S135937B				
4	DESSUS AVANT 22 ELEM.	1	S135938B				
5	DESSUS ARRIERE 9 ELEM.	1	S136311B				
5	DESSUS ARRIERE 10 ELEM.	1	S136312B				
5	DESSUS ARRIERE 11 ELEM.	1	S136313B				
5	DESSUS ARRIERE 12 ELEM.	1	S136314B				
5	DESSUS ARRIERE 13 ELEM.	1	S136315B				
5	DESSUS ARRIERE 14 ELEM.	1	S136316B				
5	DESSUS ARRIERE 15 ELEM.	1	S136317B				
5	DESSUS ARRIERE 16 ELEM.	1	S136318B				
5	DESSUS ARRIERE 17 ELEM.	1	S136319B				
5	DESSUS ARRIERE 18 ELEM.	1	S136320B				
5	DESSUS ARRIERE 20 ELEM.	1	S136321B				
5	DESSUS ARRIERE 22 ELEM.	1	S136322B				
6	ENS. COTE DROIT	1	S136292B				
7	ENS. COTE GAUCHE	1	S136291B				
8	ISOLATION COTE GAUCHE OU DROIT	1	S17070878				
9	PLAQUE DE FOND ASSEMBLEE 9 ELEM.	1	S502687				
9	PLAQUE DE FOND ASSEMBLEE 10 ELEM.	1	S502688				
9	PLAQUE DE FOND ASSEMBLEE 11 ELEM.	1	S502689				
9	PLAQUE DE FOND ASSEMBLEE 12 ELEM.	1	S502690				
9	PLAQUE DE FOND ASSEMBLEE 13 ELEM.	1	S502691				
9	PLAQUE DE FOND ASSEMBLEE 14 ELEM.	1	S502692				
9	PLAQUE DE FOND ASSEMBLEE 15 ELEM.	1	S502693				
9	PLAQUE DE FOND ASSEMBLEE 16 ELEM.	1	S502694				
9	PLAQUE DE FOND ASSEMBLEE 17 ELEM.	1	S502695				
9	PLAQUE DE FOND ASSEMBLEE 18 ELEM.	1	S502696				

 UN CHAUFFAGE D'AVANCE	<b>PIECES DE RECHANGE</b>
	BAXI France - 157, Avenue Charles Floquet - 93158 Le Blanc Mesnil Cedex - Téléphone 33 (0)1 45 91 56 00 - Télécopie 33 (0)1 45 91 59 90

<b>N° 2437</b>	<b>CREATIS 4 EASY</b>
----------------	-----------------------

<b>HABILLAGES</b>	<b>2003</b>
-------------------	-------------

REP	DESIGNATIONS	PIECES COMMUNES		PIECES SPECIFIQUES			
		Qté	Code	Qté	Qté	Qté	Qté
9	PLAQUE DE FOND ASSEMBLEE 20 ELEM.	1	S502697				
9	PLAQUE DE FOND ASSEMBLEE 22 ELEM.	1	S136220				
10	TRAVERSE DE RENFORT 9 ELEM.	1	S136298H				
10	TRAVERSE DE RENFORT 10 ELEM.	1	S136299H				
10	TRAVERSE DE RENFORT 11 ELEM.	1	S136300H				
10	TRAVERSE DE RENFORT 12 ELEM.	1	S136301H				
10	TRAVERSE DE RENFORT 13 ELEM.	1	S136302H				
10	TRAVERSE DE RENFORT 14 ELEM.	1	S136303H				
10	TRAVERSE DE RENFORT 15 ELEM.	1	S136304H				
10	TRAVERSE DE RENFORT 16 ELEM.	1	S136305H				
10	TRAVERSE DE RENFORT 17 ELEM.	1	S136306H				
10	TRAVERSE DE RENFORT 18 ELEM.	1	S136307H				
10	TRAVERSE DE RENFORT 20 ELEM.	1	S136308H				
10	TRAVERSE DE RENFORT 22 ELEM.	1	S136309H				
11	CROCHET PORTE BG50 PROF.	1	SN9072757				
12	CACHE SUP. EDENA 3	1	S17990625				
13	CACHE POUR PORTE	1	S136350B				
15	SACHET VISSERIE JAQUETTE GCG	1	S503077				

## CREATIS 4 EASY

Repère	Référence	Désignation	Quantité
1	S136325B	PORTE 9 ELEMENTS CREATIS 4 EASY	1,0000
1	S136326B	PORTE 10 ELEMENTS CREATIS 4 EASY	1,0000
1	S136327B	PORTE 11 ELEMENTS CREATIS 4 EASY	1,0000
1	S136328B	PORTE 12 ELEMENTS CREATIS 4 EASY	1,0000
1	S136329B	PORTE 13 ELEMENTS CREATIS 4 EASY	1,0000
1	S136330B	PORTE 14 ELEMENTS CREATIS 4 EASY	1,0000
1	S136331B	PORTE 15 ELEMENTS CREATIS 4 EASY	1,0000
1	S136332B	PORTE 16 ELEMENTS CREATIS 4 EASY	1,0000
1	S136333B	PORTE 17 ELEMENTS CREATIS 4 EASY	1,0000
1	S136334B	PORTE 18 ELEMENTS CREATIS 4 EASY	1,0000
1	S136335B	PORTE 20 ELEMENTS CREATIS 4 EASY	1,0000
1	S136336B	PORTE 22 ELEMENTS CREATIS 4 EASY	1,0000
2	S135998H	FACADE BANDEAU 10 ELEMENTS	1,0000
2	S135999H	FACADE BANDEAU 11 ELEMENTS	1,0000
2	S136000H	FACADE BANDEAU 12 ELEMENTS	1,0000
2	S136001H	FACADE BANDEAU 13 ELEMENTS	1,0000
2	S136002H	FACADE BANDEAU 14 ELEMENTS	1,0000
2	S136003H	FACADE BANDEAU 15 ELEMENTS	1,0000
2	S136004H	FACADE BANDEAU 16 ELEMENTS	1,0000
2	S136005H	FACADE BANDEAU 17 ELEMENTS	1,0000
2	S136006H	FACADE BANDEAU 18 ELEMENTS	1,0000
2	S136007H	FACADE BANDEAU 20 ELEMENTS	1,0000
2	S136008H	FACADE BANDEAU 22 ELEMENTS	1,0000
2	S136239H	FACADE BANDEAU 9 ELEMENTS	1,0000
3	S135985	BOITIER BANDEAU 13 ELEMENTS	1,0000
3	S135986	BOITIER BANDEAU 14 ELEMENTS	1,0000
3	S135987	BOITIER BANDEAU 15 ELEMENTS	1,0000
3	S135988	BOITIER BANDEAU 16 ELEMENTS	1,0000
3	S135989	BOITIER BANDEAU 17 ELEMENTS	1,0000
3	S135990	BOITIER BANDEAU 18 ELEMENTS	1,0000
3	S135991	BOITIER BANDEAU 20 ELEMENTS	1,0000
3	S135992	BOITIER BANDEAU 22 ELEMENTS	1,0000
3	S136638	BOITIER BANDEAU 9 ELEMENTS	1,0000
3	S136639	BOITIER BANDEAU 10 ELEMENTS	1,0000

## CREATIS 4 EASY

Repère	Référence	Désignation	Quantité
3	S136640	BOITIER BANDEAU 11 ELEMENTS	1,0000
3	S136641	BOITIER BANDEAU 12 ELEMENTS	1,0000
4	S135927B	DESSUS AVANT 12 ELEMENTS CREATIS 4 EASY	1,0000
4	S135928B	DESSUS AVANT 9 ELEMENTS CREATIS 4 EASY	1,0000
4	S135929B	DESSUS AVANT 10 ELEMENTS CREATIS 4 EASY	1,0000
4	S135930B	DESSUS AVANT 11 ELEMENTS CREATIS 4 EASY	1,0000
4	S135931B	DESSUS AVANT 13 ELEMENTS CREATIS 4 EASY	1,0000
4	S135932B	DESSUS AVANT 14 ELEMENTS CREATIS 4 EASY	1,0000
4	S135933B	DESSUS AVANT 15 ELEMENTS CREATIS 4 EASY	1,0000
4	S135934B	DESSUS AVANT 16 ELEMENTS CREATIS 4 EASY	1,0000
4	S135935B	DESSUS AVANT 17 ELEMENTS CREATIS 4 EASY	1,0000
4	S135936B	DESSUS AVANT 18 ELEMENTS CREATIS 4 EASY	1,0000
4	S135937B	DESSUS AVANT 20 ELEMENTS CREATIS 4 EASY	1,0000
4	S135938B	DESSUS AVANT 22 ELEMENTS CREATIS 4 EASY	1,0000
5	S136311B	DESSUS ARRIERE 9 ELEMENTS CREATIS 4 EASY	1,0000
5	S136312B	DESSUS ARRIERE 10 ELEMENTS CREATIS 4 EASY	1,0000
5	S136313B	DESSUS ARRIERE 11 ELEMENTS CREATIS 4 EASY	1,0000
5	S136314B	DESSUS ARRIERE 12 ELEMENTS CREATIS 4 EASY	1,0000
5	S136315B	DESSUS ARRIERE 13 ELEMENTS CREATIS 4 EASY	1,0000
5	S136316B	DESSUS ARRIERE 14 ELEMENTS CREATIS 4 EASY	1,0000
5	S136317B	DESSUS ARRIERE 15 ELEMENTS CREATIS 4 EASY	1,0000
5	S136318B	DESSUS ARRIERE 16 ELEMENTS CREATIS 4 EASY	1,0000
5	S136319B	DESSUS ARRIERE 17 ELEMENTS CREATIS 4 EASY	1,0000
5	S136320B	DESSUS ARRIERE 18 ELEMENTS CREATIS 4 EASY	1,0000
5	S136321B	DESSUS ARRIERE 20 ELEMENTS CREATIS 4 EASY	1,0000
5	S136322B	DESSUS ARRIERE 22 ELEMENTS CREATIS 4 EASY	1,0000
6	S136292B	COTE DROIT CREATIS 4 EASY	1,0000
7	S136291B	COTE GAUCHE CREATIS 4 EASY	1,0000
8	S17070878	ISOLANT COTE G/D BG5009/5022	1,0000
9	S136220	PLAQUE DE FOND ASS.22 ELEMENTS	1,0000
9	S502687	PLAQUE DE FOND ASS.9 ELEMENTS	1,0000
9	S502688	PLAQUE DE FOND ASS.10 ELEMENTS	1,0000
9	S502689	PLAQUE DE FOND ASS.11 ELEMENTS	1,0000
9	S502690	PLAQUE DE FOND ASS.12 ELEMENTS	1,0000

## CREATIS 4 EASY

Repère	Référence	Désignation	Quantité
9	S502691	PLAQUE DE FOND ASS.13 ELEMENTS	1,0000
9	S502692	PLAQUE DE FOND ASS.14 ELEMENTS	1,0000
9	S502693	PLAQUE DE FOND ASS.15 ELEMENTS	1,0000
9	S502694	PLAQUE DE FOND ASS.16 ELEMENTS	1,0000
9	S502695	PLAQUE DE FOND ASS.17 ELEMENTS	1,0000
9	S502696	PLAQUE DE FOND ASS.18 ELEMENTS	1,0000
9	S502697	PLAQUE DE FOND ASS.20 ELEMENTS	1,0000
10	S136298H	TRAVERSE DE RENFORT 9 ELEMENTS	1,0000
10	S136299H	TRAVERSE DE RENFORT 10 ELEMENTS	1,0000
10	S136300H	TRAVERSE DE RENFORT 11 ELEMENTS	1,0000
10	S136301H	TRAVERSE DE RENFORT 12 ELEMENTS	1,0000
10	S136302H	TRAVERSE DE RENFORT 13 ELEMENTS	1,0000
10	S136303H	TRAVERSE DE RENFORT 14 ELEMENTS	1,0000
10	S136304H	TRAVERSE DE RENFORT 15 ELEMENTS	1,0000
10	S136305H	TRAVERSE DE RENFORT 16 ELEMENTS	1,0000
10	S136306H	TRAVERSE DE RENFORT 17 ELEMENTS	1,0000
10	S136307H	TRAVERSE DE RENFORT 18 ELEMENTS	1,0000
10	S136308H	TRAVERSE DE RENFORT 20 ELEMENTS	1,0000
10	S136309H	TRAVERSE DE RENFORT 22 ELEMENTS	1,0000
11	SN9072757	CROCHET PORT.BG50 PROF.	1,0000
12	S17990625	CACHE SUP.CREATIS 3 JAUNE	1,0000
13	S136350B	CACHE P/PORTE CREATIS 4 EASY	1,0000
15	S503077	SACHET VISSERIE JAQUETTE	1,0000



PIECES DE RECHANGE

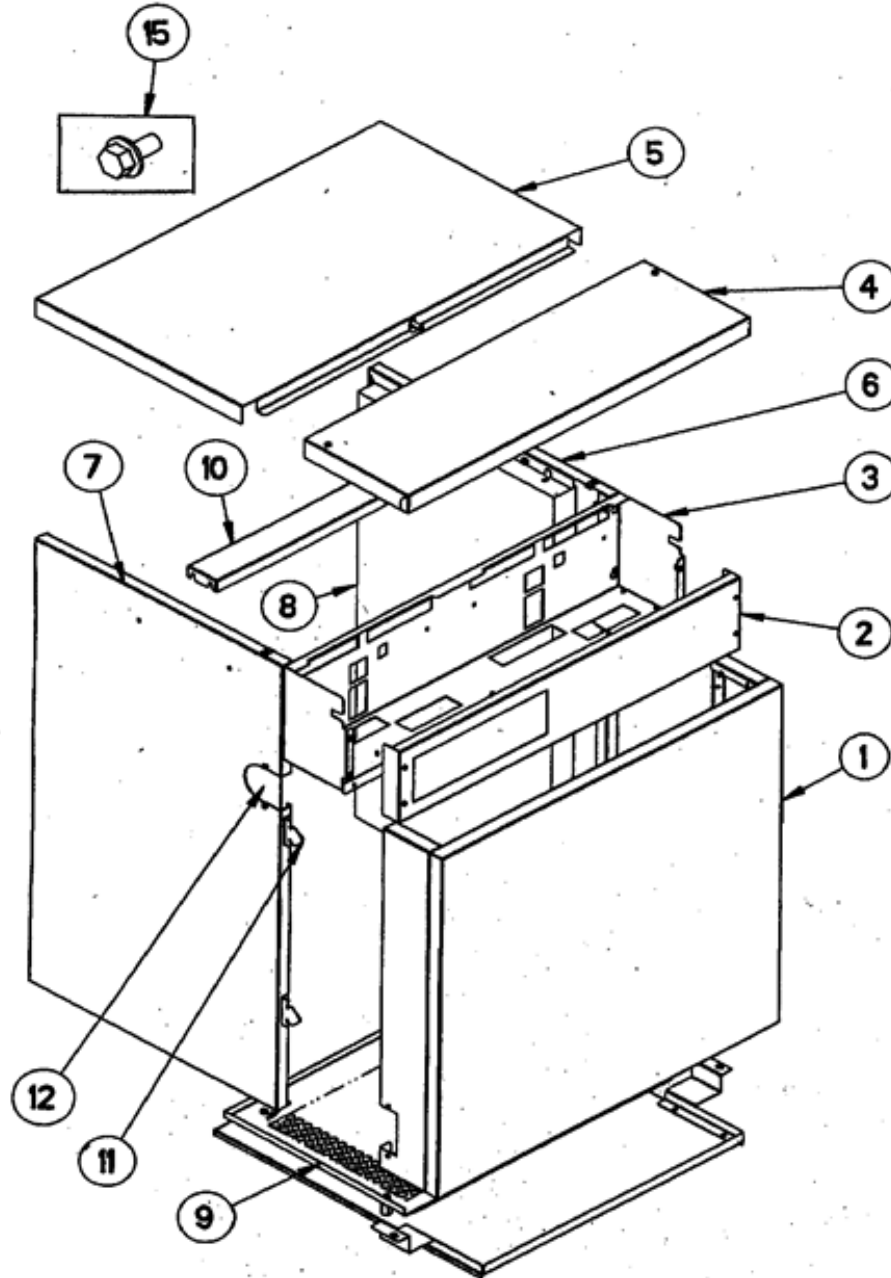
BAXI France - 157, Avenue Charles Floquet - 93156 Le Blanc Mesnil Cedex - Téléphone 33 (0)1 45 91 56 00 - Télécopie 33 (0)1 45 91 59 90

N° 2437

CREATIS 4 EASY

HABILLAGE

2003



02/04/2003

Cr4EasyHab

# CREATIS 4 EASY

 <b>IDEAL STANDARD</b> <small>UN CHAUFFAGE D'AVANCE</small>	<b>PIECES DE RECHANGE</b>
BAXI France - 157, Avenue Charles Floquet - 93158 Le Blanc Mesnil Cedex - Téléphone 33 (0)1 45 91 56 00 - Télécopie 33 (0)1 45 91 59 90	

<b>N° 2438</b>	<b>CREATIS 4 EASY</b>
----------------	-----------------------

<b>BANDEAUX</b>	<b>2003</b>
-----------------	-------------

REP	DESIGNATIONS	PIECES COMMUNES		PIECES SPECIFIQUES			
		Qté	Code	Qté	Qté	Qté	Qté
		1	ENSEMBLE FACADE TABLEAU	1	S503078		
2	ENSEMBLE BOITIER TABLEAU	1	S503079				
3	COFFRET DGAI 65F 10.3	1	S17001084				
3	COFFRET DGRV 010 A ( 06/2004 Interchang.)	1	S138574				
3A	CABLAGE BOITIER DGAI	1	S136405				
4	ENSEMBLE MODULE CM 100	1	S136655				
5	ENSEMBLE MODULE DE BASE CB 100	1	S136402				
6	THERMOMETRE 68,5x14,5 0-120°	1	S134421				
7	THERMOSTAT TG 400 CAPILL. 2 M	1	S17006955				
8	SACHET DE VOYANTS GCG	1	S503080				
9	SACHETS INTERRUPTEURS GCG	1	S503081				
10	PORTE FUSIBLE COMPLET	1	S15803999				
10A	FUSIBLE TFS 5x20 6,3 A	1	S15803525				
11	MANETTE THERMOSTAT POUR CB 110	1	S17004738				
11A	MANETTE LANDIS POUR CM 100	1	S135099				
12	THERMOSTAT 2 ALLURES EGO 5534	1	S136657				
13	SERRE CABLE	1	S15800630				
14	CABLAGE MODULE DE BASE	1	S136406				
15	THERMOSTAT TXA 4 C	1	S17007004				
16	FACADE MODULE CB 100	1	S136383				
17	FACADE MODULE CB 110	1	S136384				
18	CABLAGE MODULE ECOCONTROL 5	1	S136409				
19	CABLAGE MODULE CM 100	1	S136411				
21	REGULATEUR RVA 63.280/104	1	S17006405				
22	ENSEMBLE MODULE DE BASE CB 110	1	S136403				
30	SACHET VISSERIE TABLEAU	1	S503082				
100	TABLEAU CM	1	S17208220				
200	TABLEAU ECO 5 M	1	S17208225				



# CREATIS 4 EASY

Repère	Référence	Désignation	Quantité
1	S503078	FACADE BANDEAU	1,0000
2	S503079	BOITIER BANDEAU	1,0000
3	S138574	BOITIER CONTROLE DGRV010A	1,0000
3	S17001084	COFFRET DGAI 65F 10.3 TCL	1,0000
3A	S136405	CABLAGE BOITIER DGAI(65F 10.3)	1,0000
4	S136655	MODULE CM100	1,0000
5	S136402	MODULE DE BASE CB100	1,0000
6	S134421	THERMOMETRE 68,5x14,5 0-120° CAP:1,50m	1,0000
7	S17006955	THERMOSTAT TG400 CAP.2M 971.11348-01A(GP:0==>GP:6 06/12/01)	1,0000
8	S503080	SACHET DE VOYANTS GCG	1,0000
9	S503081	SACHET INTERRUPTEURS GCG	1,0000
10	S15803999	PORTE FUSIBLE	1,0000
10A	S15803525	FUSIBLE 6.3 AMPERES 5X20	1,0000
11	S17004738	MANETTE THERMOSTAT P/CB110	1,0000
11A	S135099	MANETTE LANDIS POUR CM100	1,0000
12	S136657	THERMOSTAT 2 ALLURES EGO 5534	1,0000
13	S15800630	SERRE CABLE	1,0000
14	S136406	CABLAGE MODULE DE BASE CB100	1,0000
15	S17007004	THERMOSTAT TXA 4C 018-30/90°(anc.lib:TUA 4C 117 le 16/04/02)	1,0000
16	S136383	FACADE MODULE CB100	1,0000
17	S136384	FACADE MODULE CB110	1,0000
18	S136409	CABLAGE MODULE ECO.5 P.R	1,0000
19	S136411	CABLAGE MODULE CM100	1,0000
21	S17006405	REGULATEUR RVA 63280/104 ECO 5	1,0000
22	S136403	MODULE DE BASE CB110	1,0000
30	S503082	SACHET VISSERIE TABLEAU	1,0000
100	S17208220	TABLEAU CM	1,0000
200	S17208225	TABLEAU ECO 5M	1,0000



**PIECES DE RECHANGE**

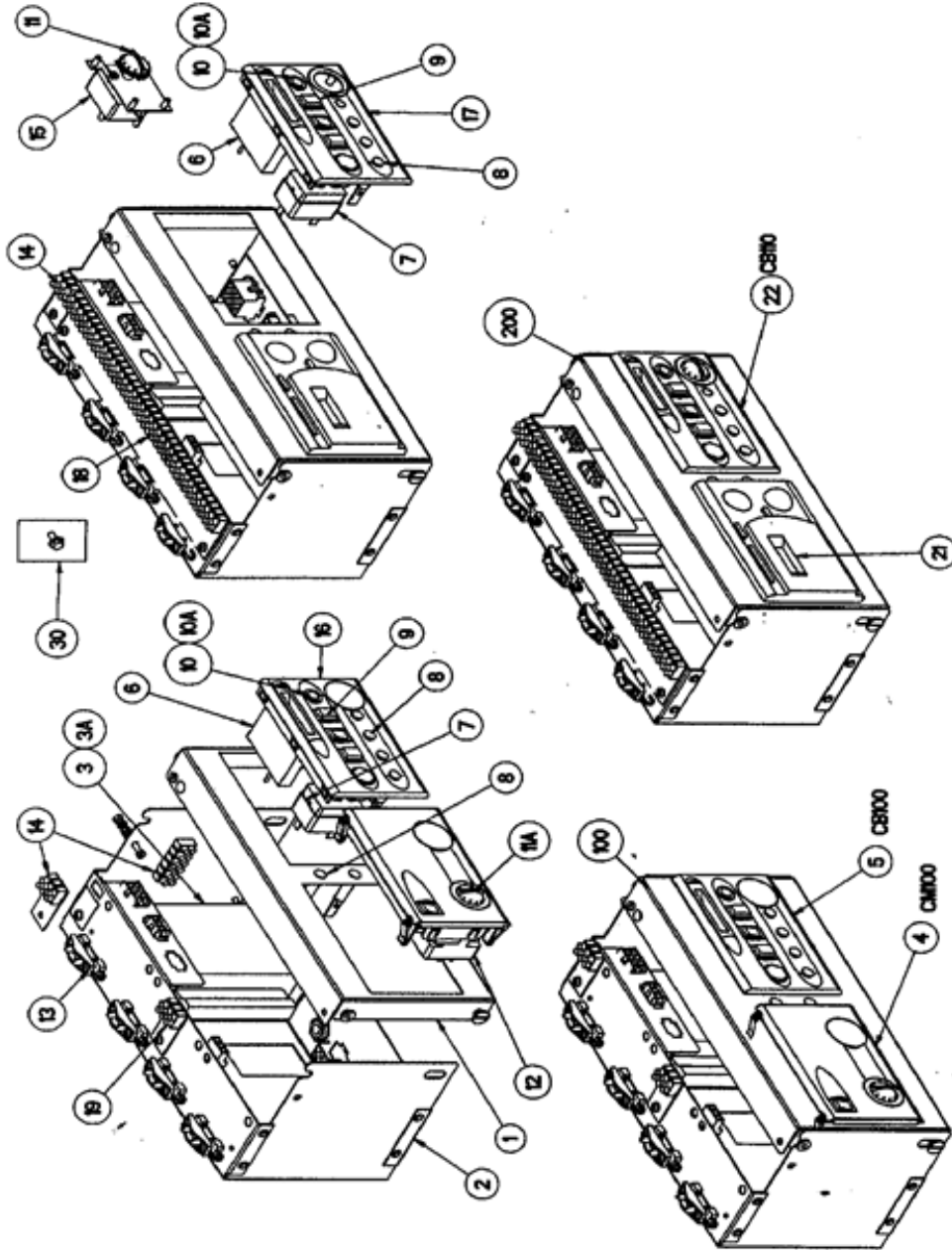
BAXI France - 157, Avenue Charles Floquet - 93156 La Blanc Mesnil Cedex - Téléphone 33 (0)1 45 91 56 00 - Télécopie 33 (0)1 45 91 59 90

N° 2438

CREATIS 4 EASY

**BANDEAUX**


2003



03/04/2003

Cr4EasyBand


# CREATIS 4 EASY

 <b>UN CHAUFFAGE D'AVANCE</b>		<b>PIECES DE RECHANGE</b>					
<small>BAXI France - 157, Avenue Charles Floquet - 93158 Le Blanc Mesnil Cedex - Téléphone 33 (0)1 45 91 56 00 - Télécopie 33 (0)1 45 91 59 90</small>							
<b>N° 2439</b>		<b>CREATIS 4 EASY / XENIUM</b>					
<b>CORPS DE CHAUFFE</b>					<b>2003</b>		
REP	DESIGNATIONS	PIECES COMMUNES		PIECES SPECIQUES			
		Qté	Code	Qté	Qté	Qté	Qté
1	ELEMENT GAUCHE	1	S17800857				
2	ELEMENT DROIT	1	S17800847				
3	ELEMENT INTERMEDIAIRE	1	S17804057				
4	TUBE DISTRIB. DEPART 9 ELEMENTS	1	SN9270040				
4	TUBE DISTRIB. DEPART 10 ELEMENTS	1	SN9270050				
4	TUBE DISTRIB. DEPART 11 ELEMENTS	1	SN9270060				
4	TUBE DISTRIB. DEPART 12 ELEMENTS	1	SN9270070				
4	TUBE DISTRIB. DEPART 13 ELEMENTS	1	SN9270080				
4	TUBE DISTRIB. DEPART 14 ELEMENTS	1	SN9270090				
4	TUBE DISTRIB. DEPART 15 ELEMENTS	1	SN9270100				
4	TUBE DISTRIB. DEPART 16 ELEMENTS	1	SN9270110				
4	TUBE DISTRIB. DEPART 17 ELEMENTS	1	SN9270120				
4	TUBE DISTRIB. DEPART 18 ELEMENTS	1	SN9270130				
4	TUBE DISTRIB. DEPART 20 ELEMENTS	1	SN9116340				
4	TUBE DISTRIB. DEPART 22 ELEMENTS	1	SN9116350				
5	TUBE DISTRIB. RETOUR 9 ELEMENTS	1	SN9270200				
5	TUBE DISTRIB. RETOUR 10 ELEMENTS	1	SN9270210				
5	TUBE DISTRIB. RETOUR 11 ELEMENTS	1	SN9270220				
5	TUBE DISTRIB. RETOUR 12 ELEMENTS	1	SN9270230				
5	TUBE DISTRIB. RETOUR 13 ELEMENTS	1	SN9270240				
5	TUBE DISTRIB. RETOUR 14 ELEMENTS	1	SN9270250				
5	TUBE DISTRIB. RETOUR 15 ELEMENTS	1	SN9270260				
5	TUBE DISTRIB. RETOUR 16 ELEMENTS	1	SN9270270				
5	TUBE DISTRIB. RETOUR 17 ELEMENTS	1	SN9112060				
5	TUBE DISTRIB. RETOUR 18 ELEMENTS	1	SN9112070				
5	TUBE DISTRIB. RETOUR 20 ELEMENTS	1	SN9116360				
5	TUBE DISTRIB. RETOUR 22 ELEMENTS	1	SN9116370				
6	PLAQUE SERRAGE 9 ELEMENTS	1	SN9083604				
6	PLAQUE SERRAGE 10 ELEMENTS	1	SN9083614				
6	PLAQUE SERRAGE 11 ELEMENTS	1	SN9083624				
6	PLAQUE SERRAGE 12 ELEMENTS	1	SN9083634				
6	PLAQUE SERRAGE 13 ELEMENTS	1	SN9083644				
6	PLAQUE SERRAGE 14 ELEMENTS	1	SN9083654				
6	PLAQUE SERRAGE 15 ELEMENTS	1	SN9083664				
6	PLAQUE SERRAGE 16 ELEMENTS	1	SN9083674				
6	PLAQUE SERRAGE 17 ELEMENTS	1	SN9081474				
6	PLAQUE SERRAGE 18 ELEMENTS	1	SN9081484				

08/04/2003

Cr4Easy-Xén Corps


# CREATIS 4 EASY

 <b>PIECES DE RECHANGE</b>							
BAXI France - 157, Avenue Charles Floquet - 93156 Le Blanc Mesnil Cedex - Téléphone 33 (0)1 45 91 56 00 - Télécopie 33 (0)1 45 91 59 90							
<b>N° 2439</b>		<b>CREATIS 4 EASY / XENIUM</b>					
<b>CORPS DE CHAUFFE</b>					<b>2003</b>		
REP	DESIGNATIONS	PIECES COMMUNES		PIECES SPECIFIQUES			
		Qté	Code	Qté	Qté	Qté	Qté
6	PLAQUE SERRAGE 20 ELEMENTS	1	SN9081954				
6	PLAQUE SERRAGE 22 ELEMENTS	1	SN9081964				
7	ROBINET REMPLISSAGE / VIDANGE	1	SN9010050				
8	PATTE DE MONTAGE	1	SN9100994				
9	BOUCHON 1"1/2 FEMELLE	1	SN9125170				
10	FACADE INTERNE 9 ELEMENTS	1	S135965				
10	FACADE INTERNE 10 ELEMENTS	1	S135966				
10	FACADE INTERNE 11 ELEMENTS	1	S135967				
10	FACADE INTERNE 12 ELEMENTS	1	S135968				
10	FACADE INTERNE 13 ELEMENTS	1	S135969				
10	FACADE INTERNE 14 ELEMENTS	1	S135970				
10	FACADE INTERNE 15 ELEMENTS	1	S135971				
10	FACADE INTERNE 16 ELEMENTS	1	S135972				
10	FACADE INTERNE 17 ELEMENTS	1	S135973				
10	FACADE INTERNE 18 ELEMENTS	1	S135974				
10	FACADE INTERNE 20 ELEMENTS	1	S135975				
10	FACADE INTERNE 22 ELEMENTS	1	S135976				
11	TOLE ARRIERE 9 ELEMENTS	1	S135647				
11	TOLE ARRIERE 10 ELEMENTS	1	S135648				
11	TOLE ARRIERE 11 ELEMENTS	1	S135649				
11	TOLE ARRIERE 12 ELEMENTS	1	S135650				
11	TOLE ARRIERE 13 ELEMENTS	1	S135651				
11	TOLE ARRIERE 14 ELEMENTS	1	S135652				
11	TOLE ARRIERE 15 ELEMENTS	1	S135653				
11	TOLE ARRIERE 16 ELEMENTS	1	S135654				
11	TOLE ARRIERE 17 ELEMENTS	1	S135655				
11	TOLE ARRIERE 18 ELEMENTS	1	S135656				
11	TOLE ARRIERE 20 ELEMENTS	1	S135657				
11	TOLE ARRIERE 22 ELEMENTS	1	S135658				
12	DOIGTS DE GANT D. 18 LG 120	1	S17001781				
12A	RESSORT ( GLIP CAPILLAIRE )	1	S17006459				
13	CALORIFUGE ARRIERE 9 ELEMENTS	1	S136749				
13	CALORIFUGE ARRIERE 10 ELEMENTS	1	S136750				
13	CALORIFUGE ARRIERE 11 ELEMENTS	1	S136751				

08/04/2003


Cr4Easy-Xén Corps

# CREATIS 4 EASY

 <b>IDEAL STANDARD</b> <small>UN CHAUFFAGE D'AVANCE</small>		<b>PIECES DE RECHANGE</b>					
N° 2439		CREATIS 4 EASY / XENIUM					
<b>CORPS DE CHAUFFE</b>					<b>2003</b>		
REP	DESIGNATIONS	PIECES COMMUNES		PIECES SPECIFIQUES			
		Qté	Code	Qté	Qté	Qté	Qté
13	CALORIFUGE ARRIERE 12 ELEMENTS	1	S136752				
13	CALORIFUGE ARRIERE 13 ELEMENTS	1	S136753				
13	CALORIFUGE ARRIERE 14 ELEMENTS	1	S136754				
13	CALORIFUGE ARRIERE 15 ELEMENTS	1	S136755				
13	CALORIFUGE ARRIERE 16 ELEMENTS	1	S136756				
13	CALORIFUGE ARRIERE 17 ELEMENTS	1	S136757				
13	CALORIFUGE ARRIERE 18 ELEMENTS	1	S136758				
13	CALORIFUGE ARRIERE 29 ELEMENTS	1	S136759				
13	CALORIFUGE ARRIERE 22 ELEMENTS	1	S136760				
13A	CALORIFUGE ARRIERE B.A.F	1	S136794				
14	AXE FILETE M10x695 9 ELEMENTS	1	SN9171020				
14	AXE FILETE M10x775 10 ELEMENTS	1	SN9171030				
14	AXE FILETE M10x855 11 ELEMENTS	1	SN9171040				
14	AXE FILETE M10x935 12 ELEMENTS	1	SN9171050				
14	TIRANT M10x1015 13 ELEMENTS	1	SN9171180				
14	TIRANT M10x1100 14 ELEMENTS	1	SN9171250				
14	TIRANT M10x1180 15 ELEMENTS	1	SN9171260				
14	TIRANT M10x1260 16 ELEMENTS	1	SN9171270				
14	TIRANT M10x1340 17 ELEMENTS	1	SN9171280				
14	TIRANT M10x1420 18 ELEMENTS	1	SN9171290				
14	TIRANT M10x1585 20 ELEMENTS	1	SN9171470				
14	TIRANT M10x1745 22 ELEMENTS	1	SN9171480				
15	FEUTRE CERAMIQUE 20x3 ( ROULEAU 8 Mètres	1	SN9205320				
16	JOINT ETANCH. COLLECT. (2 PAR ELEM.)	1	SN9195220				
17	GOUJON PRISONN. M10x80 (4 PAR ELEM.)	1	SN9171140				
17A	ECROU H M10ZINGUE (4 PAR ELEM.)	1	S15230100				
18	CORDON ETANCH. D. 6 (1 M PAR ELEM.)	1	SN9195370				
19	CALORIFUGE OBTURATEUR	1	S133107				
20	BOUCHON 1/2"	1	SN9125010				
21	CALOR. FACADE INTERNE 9 ELEMENTS	1	S136766				
21	CALOR.FACADE INTERNE 10 ELEMENTS	1	S136767				
21	CALOR.FACADE INTERNE 11 ELEMENTS	1	S136768				
21	CALOR.FACADE INTERNE 12 ELEMENTS	1	S136769				

08/04/2003

Cr4Easy-Xén Corps

 <b>PIECES DE RECHANGE</b>		<small>BAXI France - 157, Avenue Charles Floquet - 93158 Le Blanc Mesnil Cedex - Téléphone 33 (0)1 45 91 56 00 - Télécopie 33 (0)1 45 91 59 90</small>					
<b>N° 2439</b>		<b>CREATIS 4 EASY / XENIUM</b>					
<b>CORPS DE CHAUFFE</b>					<b>2003</b>		
REP	DESIGNATIONS	PIECES COMMUNES		PIECES SPECIFIQUES			
		Qté	Code	Qté	Qté	Qté	Qté
21	CALOR. FACADE INTERNE 13 ELEMENTS	1	S136770				
21	CALOR. FACADE INTERNE 14 ELEMENTS	1	S136771				
21	CALOR. FACADE INTERNE 15 ELEMENTS	1	S136772				
21	CALOR. FACADE INTERNE 16 ELEMENTS	1	S136773				
21	CALOR. FACADE INTERNE 17 ELEMENTS	1	S136774				
21	CALOR. FACADE INTERNE 18 ELEMENTS	1	S136775				
21	CALOR. FACADE INTERNE 20 ELEMENTS	1	S136776				
21	CALOR. FACADE INTERNE 22 ELEMENTS	1	S136777				
25	ENS. PLATINE TRANSFO. CABLE	1	S137143				
25A	CABLAGE TRANSFO ALLUMAGE	1	S136466				
26	CABLE ALLUMAGE	1	S15825230				
27A	COSSE BOUGIE ALLUMAGE	1	S500483				
29	CABLAGE TSB 9 ELEMENTS	1	S136819				
29	CABLAGE TSB 10 - 11 - 12 ELEMENTS	1	S136820				
29	CABLAGE TSB 13 - 14 ELEMENTS	1	S136821				
29	CABLAGE TSB 15 - 16 ELEMENTS	1	S136 822				
29	CABLAGE TSB 17 - 18 ELEMENTS	1	S136823				
29	CABLAGE TSB 20 - 22 ELEMENTS	1	S136824				
30	SACHET VISSERIE 10 A 14 ELEMENTS	1	S17881067				
30	SACHET VISSERIE 15 A 18 ELEMENTS	1	S17881068				
30	SACHET VISSERIE 20 / 22 ELEMENTS	1	S17881069				

# CREATIS 4 EASY

Repère	Référence	Désignation	Quantité
1	S17800857	EXTREME GAUCHE BG 50	1,0000
2	S17800847	EXTREME DROIT BG 50	1,0000
3	S17804057	INTER BG 50 BURNHAM	1,0000
4	SN9116340	TUBE DISTRIBUTION DEPART TYPE 320	1,0000
4	SN9116350	TUBE DISTRIBUTEUR DEPART XG322	1,0000
4	SN9270040	TUBE DISTRIBUT.DEPART BG5009	1,0000
4	SN9270050	TUBE DISTRIBUT.DEPART BG5010	1,0000
4	SN9270060	TUBE DISTRIBUT.DEPART TYPE 315	1,0000
4	SN9270070	TUBE DISTRI DEPART BG5012	1,0000
4	SN9270080	DEPART CHAUDIERE TYPE 320	1,0000
4	SN9270090	TUBE DISTRI DEPART BG5014	1,0000
4	SN9270100	TUBE DISTRIBUT.DEPART TYPE 315	1,0000
4	SN9270110	TUBE DISTRIBUTION 16	1,0000
4	SN9270120	TUBE DISTRI DEPART BG5017	1,0000
4	SN9270130	TUBE DISTRIBUTION 18	1,0000
5	SN9112060	TUBE DISTRI.RETOUR 5017	1,0000
5	SN9112070	TUBE DISTRIBUTION RETOUR XG318	1,0000
5	SN9116360	TUBE DISTRIBUT.RETOUR BG 5020	1,0000
5	SN9116370	TUBE DISTRIBUTEUR RETOUR XG322	1,0000
5	SN9270200	TUBE RET.DISTRI 09	1,0000
5	SN9270210	TUBE RETOUR DISTRIBUTION 10	1,0000
5	SN9270220	TUBE RET.DISTRI 11	1,0000
5	SN9270230	TUBE RET.DISTRI 12	1,0000
5	SN9270240	TUBE RETOUR DISTRIBUTION 13	1,0000
5	SN9270250	TUBE RET.DISTRI 14	1,0000
5	SN9270260	TUBE RETOUR DISTRI. 15	1,0000
5	SN9270270	TUBE RETOUR DISTRIBUTION 16	1,0000
6	SN9081474	PLAQUE SERRAGE BG5017 1371X	1,0000
6	SN9081484	PLAQUE DEPART RET.CH.318	1,0000
6	SN9081954	PLAQUE DE SERRAGE BG 5020	1,0000
6	SN9081964	PLAQUE DE SERRAGE BG 5022 1776X90X3	1,0000
6	SN9083604	PLAQUE SERRAGE 09	1,0000
6	SN9083614	PLAQUE SERRAGE 10	1,0000
6	SN9083624	PLAQUE SERRAGE 11	1,0000

# CREATIS 4 EASY

Repère	Référence	Désignation	Quantité
6	SN9083634	PLAQUE SERRAGE 12	1,0000
6	SN9083644	PLAQUE SERRAGE 13	1,0000
6	SN9083654	PLAQUE SERRAGE 14	1,0000
6	SN9083664	PLAQUE SERRAGE 15	1,0000
6	SN9083674	PLAQUE SERRAGE 16	1,0000
7	SN9010050	ROBINET REMPLIS./VIDANGE 3/4	1,0000
8	SN9100994	PATTE MONTAGE BG50	1,0000
9	SN9125170	BOUCHON FEM.FIG.300 1 1/2	1,0000
10	S135965	FACADE INTERNE 9 ELEMENTS	1,0000
10	S135966	FACADE INTERNE 10 ELEMENTS	1,0000
10	S135967	FACADE INTERNE 11 ELEMENTS	1,0000
10	S135968	FACADE INTERNE 12 ELEMENTS	1,0000
10	S135969	FACADE INTERNE 13 ELEMENTS	1,0000
10	S135970	FACADE INTERNE 14 ELEMENTS	1,0000
10	S135971	FACADE INTERNE 15 ELEMENTS	1,0000
10	S135972	FACADE INTERNE 16 ELEMENTS	1,0000
10	S135973	FACADE INTERNE 17 ELEMENTS	1,0000
10	S135974	FACADE INTERNE 18 ELEMENTS	1,0000
10	S135975	FACADE INTERNE 20 ELEMENTS	1,0000
10	S135976	FACADE INTERNE 22 ELEMENTS	1,0000
11	S135647	TOLE ARRIERE 9 ELEMENTS	1,0000
11	S135648	TOLE ARRIERE 10 ELEMENTS	1,0000
11	S135649	TOLE ARRIERE 11 ELEMENTS	1,0000
11	S135650	TOLE ARRIERE 12 ELEMENTS	1,0000
11	S135651	TOLE ARRIERE 13 ELEMENTS	1,0000
11	S135652	TOLE ARRIERE 14 ELEMENTS	1,0000
11	S135653	TOLE ARRIERE 15 ELEMENTS	1,0000
11	S135654	TOLE ARRIERE 16 ELEMENTS	1,0000
11	S135655	TOLE ARRIERE 17 ELEMENTS	1,0000
11	S135656	TOLE ARRIERE 18 ELEMENTS	1,0000
11	S135657	TOLE ARRIERE 20 ELEMENTS	1,0000
11	S135658	TOLE ARRIERE 22 ELEMENTS	1,0000
12	S17001781	DOIGT DE GANT D:18 LG:120	1,0000

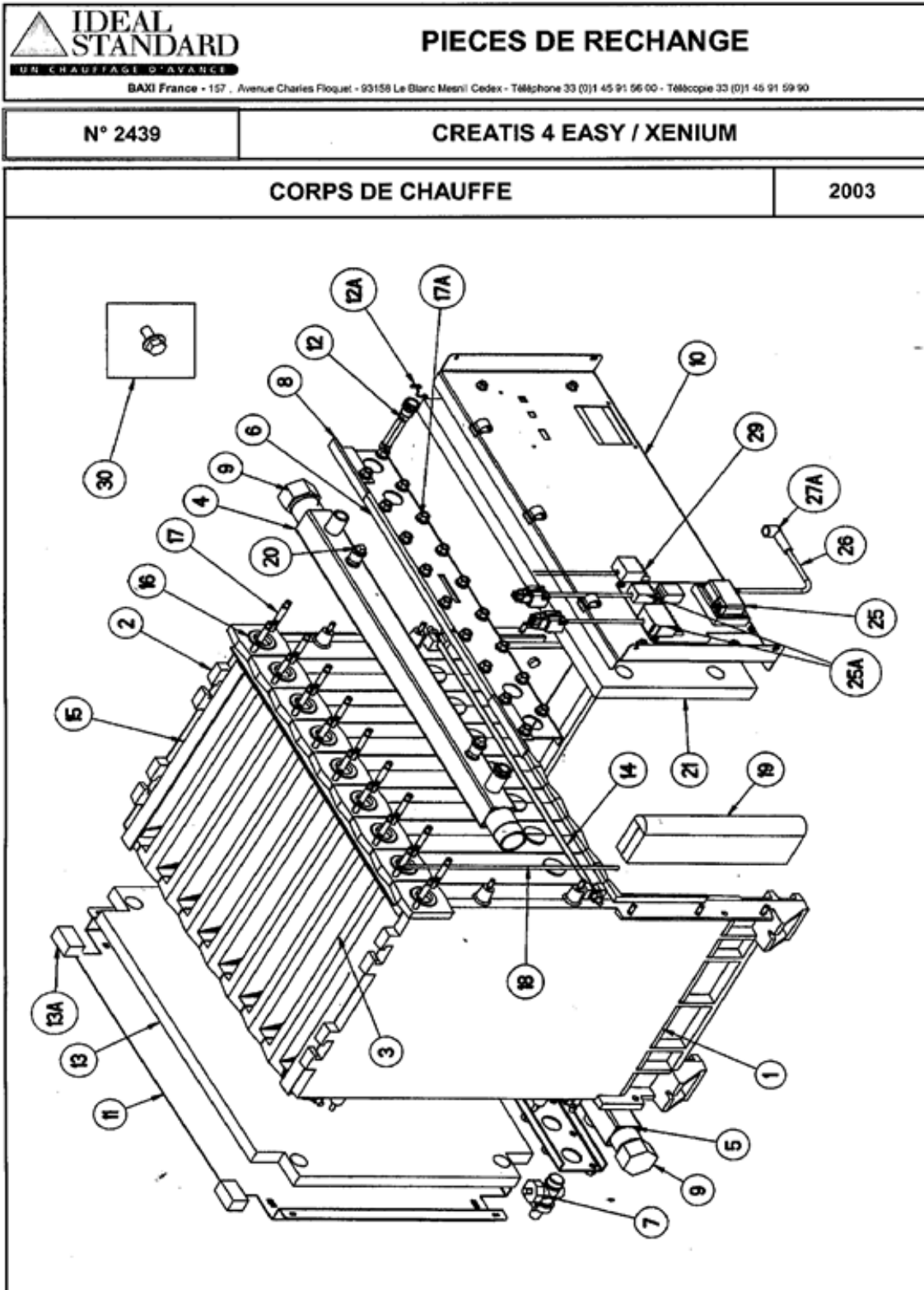


# CREATIS 4 EASY

Repère	Référence	Désignation	Quantité
12A	S17006459	RESSORT REF:556557 (ancien lib:RETARDATEUR THEOBALD+fourni)	1,0000
13	S136749	CALORIFUGE ARRIERE 9 ELEMENTS	1,0000
13	S136750	CALORIFUGE ARRIERE 10 ELEMENTS	1,0000
13	S136751	CALORIFUGE ARRIERE 11 ELEMENTS	1,0000
13	S136752	CALORIFUGE ARRIERE 12 ELEMENTS	1,0000
13	S136753	CALORIFUGE ARRIERE 13 ELEMENTS	1,0000
13	S136754	CALORIFUGE ARRIERE 14 ELEMENTS	1,0000
13	S136755	CALORIFUGE ARRIERE 15 ELEMENTS	1,0000
13	S136756	CALORIFUGE ARRIERE 16 ELEMENTS	1,0000
13	S136757	CALORIFUGE ARRIERE 17 ELEMENTS	1,0000
13	S136758	CALORIFUGE ARRIERE 18 ELEMENTS	1,0000
13	S136759	CALORIFUGE ARRIERE 20 ELEMENTS	1,0000
13	S136760	CALORIFUGE ARRIERE 22 ELEMENTS	1,0000
13A	S136794	CALORIFUGE ARRIERE B.A.F	1,0000
14	SN9171020	AXE FILETE M10X695 BG5009	1,0000
14	SN9171030	AXE FILETE M10X775 BG5010	1,0000
14	SN9171040	AXE FILETE M10X855 BG5011	1,0000
14	SN9171050	AXE FILETE M10X935 BG5012	1,0000
14	SN9171180	TIRANT M10 X 1015. BG5013	1,0000
14	SN9171250	TIRANT M10 X 1100. BG5014	1,0000
14	SN9171260	TIRANT M10X1180. BG5015	1,0000
14	SN9171270	TIRANT M10X1260.BG 5016	1,0000
14	SN9171280	TIRANT M10X1340.BG 5017	1,0000
14	SN9171290	TRINGLE M10X1420 TYPE 318	1,0000
14	SN9171470	TIRANT M10X1585	1,0000
14	SN9171480	TIRANT M10X1745	1,0000
15	SN9205320	FEUTRE CERAMIQUE 20X3 (LE M)	1,0000
16	SN9195220	JOINT ETANCHEITE COLLECT.XG3	1,0000
17	SN9171140	GOUJON PRISONNIER M10X80 DIN	1,0000
17A	S15230100	ECROU H M10 ZINGUE	1,0000
18	SN9195370	CORDON ETANCHEITE D=6 GK100	1,0000
19	S133107	CALORIFUGE OBTURATEUR	1,0000
20	SN9125010	BOUCHON N°290 1/2 15X21	1,0000

## CREATIS 4 EASY

Repère	Référence	Désignation	Quantité
21	S136766	CALORIFUGE FACADE INTERNE 9 ELEMENTS	1,0000
21	S136767	CALORIFUGE FACADE INTERNE 10 ELEMENTS	1,0000
21	S136768	CALORIFUGE FACADE INTERNE 11 ELEMENTS	1,0000
21	S136769	CALORIFUGE FACADE INTERNE 12 ELEMENTS	1,0000
21	S136770	CALORIFUGE FACADE INTERNE 13 ELEMENTS	1,0000
21	S136771	CALORIFUGE FACADE INTERNE 14 ELEMENTS	1,0000
21	S136772	CALORIFUGE FACADE INTERNE 15 ELEMENTS	1,0000
21	S136773	CALORIFUGE FACADE INTERNE 16 ELEMENTS	1,0000
21	S136774	CALORIFUGE FACADE INTERNE 17 ELEMENTS	1,0000
21	S136775	CALORIFUGE FACADE INTERNE 18 ELEMENTS	1,0000
21	S136776	CALORIFUGE FACADE INTERNE 20 ELEMENTS	1,0000
21	S136777	CALORIFUGE FACADE INTERNE 22 ELEMENTS	1,0000
25	S137143	PLATINE TRANSFORMATEUR CABLE	1,0000
25A	S136466	***** "NOUS CONSULTER" *****(anc.lib:CABLE TRANSFO ALLUMA)	1,0000
26	S15825230	CABLE ALL.SIHT VS 1.4MM/METRE	1,0000
27A	S500483	COSSE BOUGIE ALL.D4V7 SAPCO	1,0000
29	S136819	CABLAGE TSB 9 ELEMENTS	1,0000
29	S136820	CABLAGE TSB 10/11/12 ELEMENTS	1,0000
29	S136821	CABLAGE TSB 13/14 ELEMENTS	1,0000
29	S136822	CABLAGE TSB 15/16 ELEMENTS	1,0000
29	S136823	CABLAGE TSB 17/18 ELEMENTS	1,0000
29	S136824	CABLAGE TSB 20/22 ELEMENTS	1,0000
30	S17881067	SACHET VISSERIE 10 a 14 ELTS	1,0000
30	S17881068	SACHET VISSERIE 15 a 18 ELTS	1,0000
30	S17881069	SACHET VISSERIE 20/22 ELEMENTS	1,0000



# CREATIS 4 EASY

 <b>IDEAL STANDARD</b> <small>UN CHAUFFAGE D'AVANCE</small>	<h2 style="margin: 0;">PIECES DE RECHANGE</h2>
BAXI France - 157, Avenue Charles Floquet - 93158 Le Blanc Mesnil Cedex - Téléphone 33 (0)1 45 91 56 00 - Télécopie 33 (0)1 45 91 59 90	

<b>N° 2441</b>	<b>CREATIS 4 EASY</b>
----------------	-----------------------

<b>BRULEURS S.E.</b>	<b>2003</b>
----------------------	-------------

REP	DESIGNATIONS	PIECES COMMUNES		PIECES SPECIFIQUES			
		Qté	Code	Qté	Qté	Qté	Qté
		1	ENS. PLAQUE BRULEUR 9 ELEM.	1	S135601		
1	ENS. PLAQUE BRULEUR 10 ELEM.	1	S135602				
1	ENS. PLAQUE BRULEUR 11 ELEM.	1	S135603				
1	ENS. PLAQUE BRULEUR 12 ELEM.	1	S135600				
1	ENS. PLAQUE BRULEUR 13 ELEM.	1	S135604				
1	ENS. PLAQUE BRULEUR 14 ELEM.	1	S135605				
1	ENS. PLAQUE BRULEUR 15 ELEM.	1	S135606				
1	ENS. PLAQUE BRULEUR 16 ELEM.	1	S135607				
1	ENS. PLAQUE BRULEUR 17 ELEM.	1	S135608				
1	ENS. PLAQUE BRULEUR 18 ELEM.	1	S135609				
1	ENS. PLAQUE BRULEUR 20 ELEM.	1	S135610				
1	ENS. PLAQUE BRULEUR 22 ELEM.	1	S135611				
2	BRULEUR ST FURIGAS 147 038 001		S136454				
3	BARRE ECARTEMENT BRULEUR 9 ELEM.	1	S135824				
3	BARRE ECARTEMENT BRULEUR 10 ELEM.	1	S135825				
3	BARRE ECARTEMENT BRULEUR 11 ELEM.	1	S135826				
3	BARRE ECARTEMENT BRULEUR 12 ELEM.	1	S135827				
3	BARRE ECARTEMENT BRULEUR 13 ELEM.	1	S135828				
3	BARRE ECARTEMENT BRULEUR 14 ELEM.	1	S135829				
3	BARRE ECARTEMENT BRULEUR 15 ELEM.	1	S135830				
3	BARRE ECARTEMENT BRULEUR 16 ELEM.	1	S135831				
3	BARRE ECARTEMENT BRULEUR 17 ELEM.	1	S135832				
3	BARRE ECARTEMENT BRULEUR 18 ELEM.	1	S135833				
3	BARRE ECARTEMENT BRULEUR 20 ELEM.	1	S135834				
3	BARRE ECARTEMENT BRULEUR 22 ELEM.	1	S135835				
4	ISOLANT PORTE BRULEUR 9 ELEM.	1	S135612				
4	ISOLANT PORTE BRULEUR 10 ELEM.	1	S135613				
4	ISOLANT PORTE BRULEUR 11 ELEM.	1	S135614				
4	ISOLANT PORTE BRULEUR 12 ELEM.	1	S135488				
4	ISOLANT PORTE BRULEUR 13 ELEM.	1	S135615				
4	ISOLANT PORTE BRULEUR 14 ELEM.	1	S135616				
4	ISOLANT PORTE BRULEUR 15 ELEM.	1	S135617				
4	ISOLANT PORTE BRULEUR 16 ELEM.	1	S135618				
4	ISOLANT PORTE BRULEUR 17 ELEM.	1	S135619				
4	ISOLANT PORTE BRULEUR 18 ELEM.	1	S135620				
4	ISOLANT PORTE BRULEUR 20 ELEM.	1	S135621				
4	ISOLANT PORTE BRULEUR 22 ELEM.	1	S135622				

# CREATIS 4 EASY

 <b>IDEAL STANDARD</b> <small>UN CHAUFFAGE D'AVANCE</small>	<b>PIECES DE RECHANGE</b>
BAXI France - 157, Avenue Charles Floquet - 93158 Le Blanc Mesnil Cedex - Téléphone 33 (0)1 45 91 56 00 - Télécopie 33 (0)1 45 91 59 90	

<b>N° 2441</b>	<b>CREATIS 4 EASY</b>
----------------	-----------------------

<b>BRULEURS S.E.</b>	<b>2003</b>
----------------------	-------------

REP	DESIGNATIONS	PIECES COMMUNES		PIECES SPECIFIQUES			
		Qté	Code	Qté	Qté	Qté	Qté
		4A	CALORIFUGE BANDE SUP. 9 ELEM.	1	S135630		
4A	CALORIFUGE BANDE SUP. 10 ELEM.	1	S135631				
4A	CALORIFUGE BANDE SUP. 11 ELEM.	1	S135632				
4A	CALORIFUGE BANDE SUP. 12 ELEM.	1	S135633				
4A	CALORIFUGE BANDE SUP. 13 ELEM.	1	S135634				
4A	CALORIFUGE BANDE SUP. 14 ELEM.	1	S135635				
4A	CALORIFUGE BANDE SUP. 15 ELEM.	1	S135636				
4A	CALORIFUGE BANDE SUP. 16 ELEM.	1	S135637				
4A	CALORIFUGE BANDE SUP. 17 ELEM.	1	S135638				
4A	CALORIFUGE BANDE SUP. 18 ELEM.	1	S135639				
4A	CALORIFUGE BANDE SUP. 20 ELEM.	1	S135640				
4A	CALORIFUGE BANDE SUP. 22 ELEM.	1	S135641				
4A	CALORIFUGE BANDE LATERALE	1	S135642				
5	TUBE DISTRIBUT. GAZ 9 ELEM.	1	SN9116420				
5	TUBE DISTRIBUT. GAZ 10 ELEM.	1	SN9116430				
5	TUBE DISTRIBUT. GAZ 11 ELEM.	1	SN9116440				
5	TUBE DISTRIBUT. GAZ 12 ELEM.	1	SN9116450				
5	TUBE DISTRIBUT. GAZ 13 ELEM.	1	SN9116460				
5	TUBE DISTRIBUT. GAZ 14 ELEM.	1	SN9116470				
5	TUBE DISTRIBUT. GAZ 15 ELEM.	1	SN9116480				
5	TUBE DISTRIBUT. GAZ 16 ELEM.	1	SN9116490				
5	TUBE DISTRIBUT. GAZ 17 ELEM.	1	SN9116500				
5	TUBE DISTRIBUT. GAZ 18 ELEM.	1	SN9116510				
5	TUBE DISTRIBUT. GAZ 20 ELEM.	1	SN9116520				
5	TUBE DISTRIBUT. GAZ 22 ELEM.	1	SN9116530				
6	INJECTEUR SERIE W D. 3,2	1	S17003180				
6	INJECTEUR SERIE Y D. 2,15	1	S17003191				
7	RONDELLE ALU DE 10	1	S17006504				
8	MANCHON UNION 1"	1	S15922350				
8	MANCHON UNION 1 1/2"	1	SN9126630				
9	PRISE PRESSION 1/8"	1	S17006201				
10	ECROU G. H 8x50	1	S15236109				
11	VOYANT KJKGLAS	1	SN9022010				

CREATIS 4 EASY


**PIECES DE RECHANGE**  
BAXI France - 157, Avenue Charles Floquet - 93158 Le Blanc Mesnil Cedex - Téléphone 33 (0)1 45 91 56 00 - Télécopie 33 (0)1 45 91 59 90

<b>N° 2441</b>	<b>CREATIS 4 EASY</b>
----------------	-----------------------

<b>BRULEURS S.E.</b>	<b>2003</b>
----------------------	-------------

REP	DESIGNATIONS	PIECES COMMUNES		PIECES SPECIFIQUES			
		Qté	Code	Qté	Qté	Qté	Qté
		12	TUBE VEILLEUSE D. 4x2 9 ELEM.	1	S136911		
12	TUBE VEILLEUSE D. 4x2 10 ELEM.	1	S136901				
12	TUBE VEILLEUSE D. 4x2 11 ELEM.	1	S136902				
12	TUBE VEILLEUSE D. 4x2 12 ELEM.	1	S136781				
12	TUBE VEILLEUSE D. 4x2 13 ELEM.	1	S136903				
12	TUBE VEILLEUSE D. 4x2 14 ELEM.	1	S136904				
12	TUBE VEILLEUSE D. 4x2 15 ELEM.	1	S136905				
12	TUBE VEILLEUSE D. 4x2 16 ELEM.	1	S136906				
12	TUBE VEILLEUSE D. 4x2 17 ELEM.	1	S136907				
12	TUBE VEILLEUSE D. 4x2 18 ELEM.	1	S136908				
12	TUBE VEILLEUSE D. 4x2 20 ELEM.	1	S136909				
12	TUBE VEILLEUSE D. 4x2 22 ELEM.	1	S136910				
13	EQUERRE EGALE POUR TUBE 4/2	1	S133830				
14	ENTRETOISE VEILLEUSE	1	S17002110				
15	ENS. VEILLEUSE COMPLETE	1	S136471				
16	ELECTRODE ALLUMAGE	1	S134257				
17	ELECTRODE IONISATION	1	S133965				
18	INJECTEUR VEILLEUSE GN 0,4	1	S135810				
18	INJECTEUR VEILLEUSE GPL 0,25	1	S500249				

24/04/2003

Cr4EasyBrul

# CREATIS 4 EASY

Repère	Référence	Désignation	Quantité
1	S135600	PLAQUE BRULEUR 12 ELEMENTS	1,0000
1	S135601	PLAQUE BRULEUR 9 ELEMENTS	1,0000
1	S135602	PLAQUE BRULEUR 10 ELEMENTS	1,0000
1	S135603	PLAQUE BRULEUR 11 ELEMENTS	1,0000
1	S135604	PLAQUE BRULEUR 13 ELEMENTS	1,0000
1	S135605	PLAQUE BRULEUR 14 ELEMENTS	1,0000
1	S135606	PLAQUE BRULEUR 15 ELEMENTS	1,0000
1	S135607	PLAQUE BRULEUR 16 ELEMENTS	1,0000
1	S135608	PLAQUE BRULEUR 17 ELEMENTS	1,0000
1	S135609	PLAQUE BRULEUR 18 ELEMENTS	1,0000
1	S135610	PLAQUE BRULEUR 20 ELEMENTS	1,0000
1	S135611	PLAQUE BRULEUR 22 ELEMENTS	1,0000
2	S136454	BRULEUR ST FURIGAZ 147.038.001	1,0000
3	S135824	BARRE ECARTEMENT BRULEUR 9 ELEMENTS	1,0000
3	S135825	BARRE ECARTEMENT BRULEUR 10 ELEMENTS	1,0000
3	S135826	BARRE ECARTEMENT BRULEUR 11 ELEMENTS	1,0000
3	S135827	BARRE ECARTEMENT BRULEUR 12 ELEMENTS	1,0000
3	S135828	BARRE ECARTEMENT BRULEUR 13 ELEMENTS	1,0000
3	S135829	BARRE ECARTEMENT BRULEUR 14 ELEMENTS	1,0000
3	S135830	BARRE ECARTEMENT BRULEUR 15 ELEMENTS	1,0000
3	S135831	BARRE ECARTEMENT BRULEUR 16 ELEMENTS	1,0000
3	S135832	BARRE ECARTEMENT BRULEUR 17 ELEMENTS	1,0000
3	S135833	BARRE ECARTEMENT BRULEUR 18 ELEMENTS	1,0000
3	S135834	BARRE ECARTEMENT BRULEUR 20 ELEMENTS	1,0000
3	S135835	BARRE ECARTEMENT BRULEUR 22 ELEMENTS	1,0000
4	S135488	ISOLANT PORTE BRULEUR 12 ELEMENTS	1,0000
4	S135612	ISOLANT PORTE BRULEUR 9 ELEMENTS	1,0000
4	S135613	ISOLANT PORTE BRULEUR 10 ELEMENTS	1,0000
4	S135614	ISOLANT PORTE BRULEUR 11 ELEMENTS	1,0000
4	S135615	ISOLANT PORTE BRULEUR 13 ELEMENTS	1,0000
4	S135616	ISOLANT PORTE BRULEUR 14 ELEMENTS	1,0000
4	S135617	ISOLANT PORTE BRULEUR 15 ELEMENTS	1,0000
4	S135618	ISOLANT PORTE BRULEUR 16 ELEMENTS	1,0000
4	S135619	ISOLANT PORTE BRULEUR 17 ELEMENTS	1,0000

# CREATIS 4 EASY

Repère	Référence	Désignation	Quantité
4	S135620	ISOLANT PORTE BRULEUR 18 ELEMENTS	1,0000
4	S135621	ISOLANT PORTE BRULEUR 20 ELEMENTS	1,0000
4	S135622	ISOLANT PORTE BRULEUR 22 ELEMENTS	1,0000
4A	S135630	CALORIFUGE BANDE SUP.9 ELEMENTS	1,0000
4A	S135631	CALORIFUGE BANDE SUP.10 ELEMENTS	1,0000
4A	S135632	CALORIFUGE BANDE SUP.11 ELEMENTS	1,0000
4A	S135633	CALORIFUGE BANDE SUP.12 ELEMENTS	1,0000
4A	S135634	CALORIFUGE BANDE SUP.13 ELEMENTS	1,0000
4A	S135635	CALORIFUGE BANDE SUP.14 ELEMENTS	1,0000
4A	S135636	CALORIFUGE BANDE SUP.15 ELEMENTS	1,0000
4A	S135637	CALORIFUGE BANDE SUP.16 ELEMENTS	1,0000
4A	S135638	CALORIFUGE BANDE SUP.17 ELEMENTS	1,0000
4A	S135639	CALORIFUGE BANDE SUP.18 ELEMENTS	1,0000
4A	S135640	CALORIFUGE BANDE SUP.20 ELEMENTS	1,0000
4A	S135641	CALORIFUGE BANDE SUP.22 ELEMENTS	1,0000
4A	S135642	CALORIFUGE BANDE LATERALE	1,0000
5	SN9116420	TUBE DISTRIBUTION GAZ 09E	1,0000
5	SN9116430	TUBE DISTRIBUTION GAZ 10E	1,0000
5	SN9116440	TUBE DISTRIBUTION GAZ 11E	1,0000
5	SN9116450	TUBE DISTRIB.GAZ 12E	1,0000
5	SN9116460	TUBE DISTRIB.GAZ 13E	1,0000
5	SN9116470	TUBE DISTRIB.GAZ 14E	1,0000
5	SN9116480	TUBE DISTRIB.GAZ 15E	1,0000
5	SN9116490	TUBE DISTRIB.GAZ 16E	1,0000
5	SN9116500	TUBE DISTRIB.GAZ 17E	1,0000
5	SN9116510	TUBE DISTRIBUTION GAZ 18E	1,0000
5	SN9116520	TUBE DISTRIB.GAZ 20E	1,0000
5	SN9116530	TUBE DISTRIB.GAZ 22E	1,0000
6	S17003180	INJECTEUR GN 3,20W (G20)	1,0000
6	S17003191	INJECTEUR GPL 2,15Y (anc.lib:INJECT.GN/ACIER/30 05/09/03)	1,0000
7	S17006504	RONDELLE ALU.DE 10 (anc.lib:RONDELLE INJ.MANIL.05/09/03)	1,0000
8	S15922350	MANCHON UNION N°336 1"26X34	1,0000
8	SN9126630	MANCHON UNION N°336 1"1/2	1,0000



## CREATIS 4 EASY

Repère	Référence	Désignation	Quantité
9	S17006201	OLIVE PRISE DE PRESSION	1,0000
10	S15236109	ECROU 8x50 FIXAT.PLAQU.BRULEUR	1,0000
11	SN9022010	VOYANT KIJKLAS 147.125.001	1,0000
12	S136781	TUBE VEILLEUSE D:4x2 12 ELEMENTS	1,0000
12	S136901	TUBE VEILLEUSE D:4x2 10 ELEMENTS	1,0000
12	S136902	TUBE VEILLEUSE D:4x2 11 ELEMENTS	1,0000
12	S136903	TUBE VEILLEUSE D:4x2 13 ELEMENTS	1,0000
12	S136904	TUBE VEILLEUSE D:4x2 14 ELEMENTS	1,0000
12	S136905	TUBE VEILLEUSE D:4x2 15 ELEMENTS	1,0000
12	S136906	TUBE VEILLEUSE D:4x2 16 ELEMENTS	1,0000
12	S136907	TUBE VEILLEUSE D:4x2 17 ELEMENTS	1,0000
12	S136908	TUBE VEILLEUSE D:4x2 18 ELEMENTS	1,0000
12	S136909	TUBE VEILLEUSE D:4x2 20 ELEMENTS	1,0000
12	S136910	TUBE VEILLEUSE D:4x2 22 ELEMENTS	1,0000
12	S136911	TUBE VEILLEUSE D:4x2 9 ELEMENTS	1,0000
13	S133830	EQUERRE EGALE POUR TUBE 4x2	1,0000
14	S17002110	ENTRETOISE VEIL.BG50 PRESTIGE	1,0000
15	S136471	VEILLEUSE INTERMITTENTE CPLT	1,0000
16	S134257	ELECTRODE ALLUMAGE (BG50 PRESTIGE)	1,0000
17	S133965	ELECTRODE IONISAT.BG50 PREST.	1,0000
18	S135810	INJECTEUR DE VEILLEUSE 0,4	1,0000
18	S500249	INJECTEUR VEILLEUSE 0,25 (GPL)	1,0000



PIECES DE RECHANGE

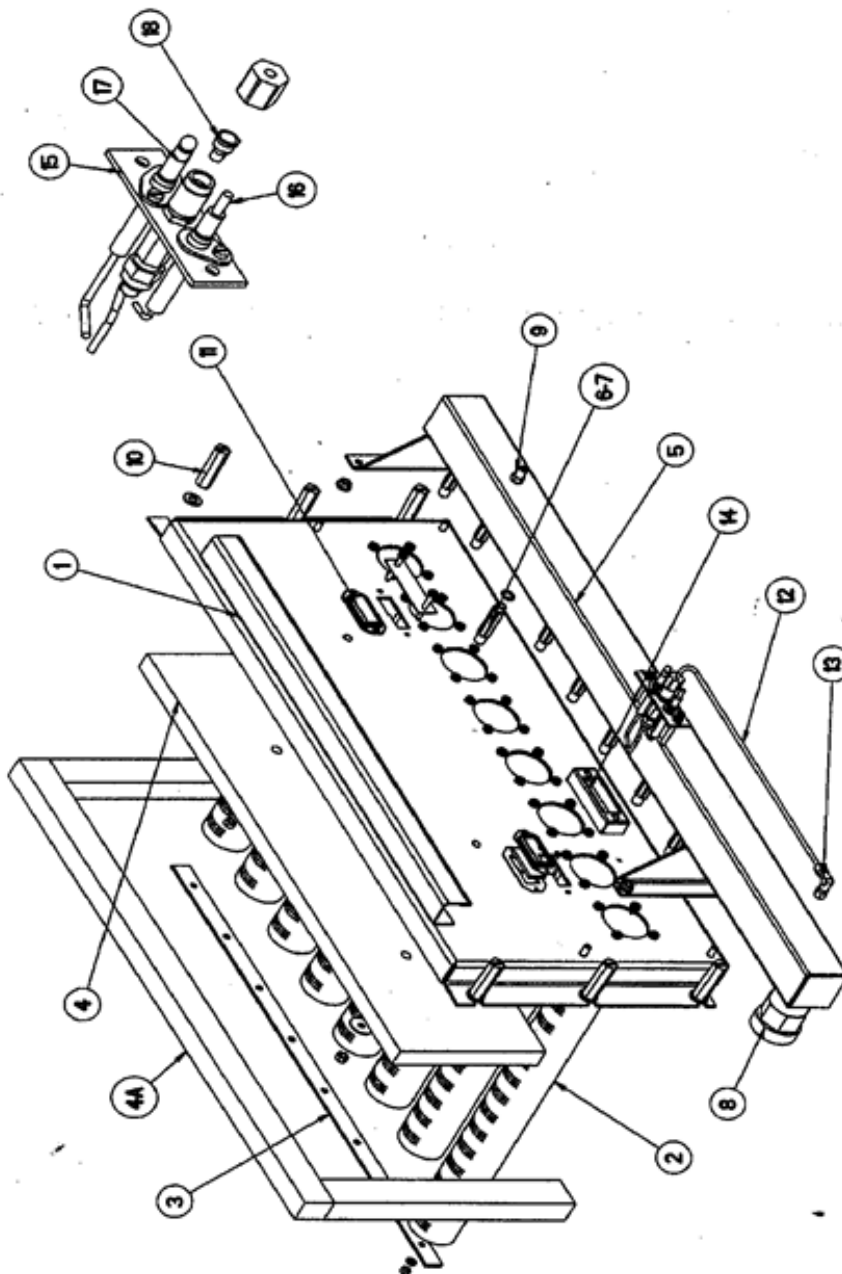
BAXI France - 157, Avenue Charles Floquet - 93156 Le Blanc Mesnil Cedex - Téléphone 33 (0)1 45 91 56 00 - Télécopie 33 (0)1 45 91 59 90

N° 2441

CREATIS 4 EASY

BRULEURS S.E.

2003



08/04/2003

Cr4EasyBrul

 <b>IDEAL STANDARD</b> <small>UN CHAUFFAGE D'AVANCE</small>	<h3>PIECES DE RECHANGE</h3> <p>BAXI France - 157, Avenue Charles Floquet - 93158 Le Blanc Mesnil Cedex - Téléphone 33 (0)1 45 91 56 00 - Télécopie 33 (0)1 45 91 59 90</p>
--	--

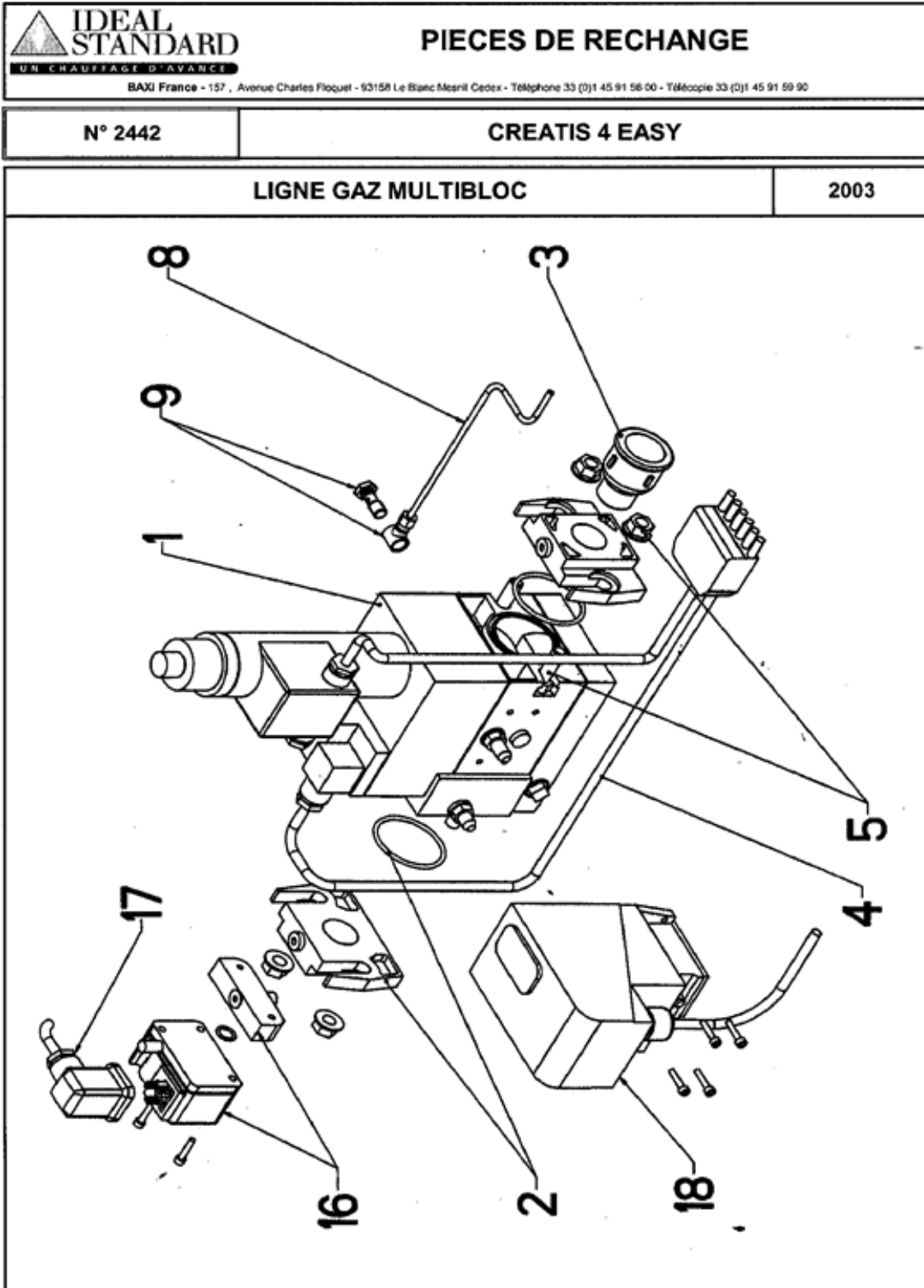
<b>N° 2442</b>	<b>CREATIS 4 EASY</b>
----------------	-----------------------

<b>LIGNE GAZ MULTIBLOC</b>	<b>2003</b>
----------------------------	-------------

REP	DESIGNATIONS	PIECES COMMUNES		PIECES SPECIFIQUES			
		Qté	Code	Qté	Qté	Qté	Qté
1	MB ZRDLE 412 - 20 / 25 MBAR - 9 A 11 ELEM.	1	SN9016680				
1	MB ZRDLE 405 - 300 MBAR - 9 A 11 ELEM.	1	S17007689				
1	MB ZRDLE 407 - 300 MBAR - 12 A 22 ELEM.	1	SN9016660				
2	BRIDE AVEC JOINT 1" ( 20/25 mb ) ( 9 - 11 EL. )	1	SN9016360				
2	BRIDE AVEC JOINT 3/4" ( 300 mb )	1	S17000803				
3	MANCHON 1"-3/4" ( 300 mb ) ( 9 - 11 EL. )	1	SN9125480				
3	MANCHON 1"1/2-3/4" ( 300 mb ) ( 12-22 EL. )	1	S15922161				
4	CABLAGE MULTIBLOC	1	S500762				
5	SACHET VISSERIE MULTIBLOC	1	S17881102				
8	TUBE VANNE MULTIBLOC 405	1	S133926				
8	TUBE VANNE MULTIBLOC 407	1	S133927				
9	CORPS DE BANJO 1/8"	1	S133832				
9A	VIS 1 ETAGE 1/8	1	S15929282				
16	PRESSOSTAT GW50 A 2	1	S17071676				
16A	TUBE PRESSOSTAT LG 60	1	S17007225				
17	CABLAGE PRESSOSTAT	1	S17077796				
18	KIT CONTRÔLE ETANCHEITE GAZ ( 5 A 11 )	1	S12000170				

# CREATIS 4 EASY

Repère	Référence	Désignation	Quantité
1	S17007689	VANNE MB ZRDLE 405 B01 S52 (GP=0 ==> GP=6 le 29.10.01)	1,0000
1	SN9016660	VANNE MB ZRDLE 407 B01 S52 S/P	1,0000
1	SN9016680	VANNE MB ZRDLE 412 B01 S52 S/P	1,0000
2	S17000803	BRIDE R.3/4" 20X27 DUNGS	1,0000
2	SN9016360	BRIDE ART.NR.134930	1,0000
3	S15922161	MANCHON 1"1/2-3/4"	1,0000
3	SN9125480	MANCHON N°246 1"3/4	1,0000
4	S500762	CABLAGE MULTIBLOC 5/11 BG50 PR	1,0000
5	S17881102	SACHET VIS.2A22 BG50 PR	1,0000
8	S133926	TUBE VANNE MULTIBLOC 405	1,0000
8	S133927	TUBE VANNE MULTIBLOC 407	1,0000
9	S133832	CORPS DE BANJO 1/8" TUBE 4/2	1,0000
9A	S15929282	VIS 1 ETAGE 1/8"	1,0000
16	S17071676	PRESSOSTAT GW 50 A2 PR.	1,0000
16A	S17007225	TUBE PRESSOSTAT LG:60 (anc.lib:TUBE MELANGE 33X42 05/09/03)	1,0000
17	S17077796	CABLAGE PRESSOSTAT BG50 PR	1,0000
18	S12000170	KIT CONTROL.ETANCH.GAZ 05a11	1,0000



03/04/2003

Cr4EasyMultib

# CREATIS 4 EASY

 <b>IDEAL STANDARD</b> <small>UN CHAUFFAGE D'AVANCE</small>	<b>PIECES DE RECHANGE</b>
BAXI France - 157 - Avenue Charles Floquet - 93158 Le Blanc Mesnil Cedex - Téléphone 33 (0)1 45 91 56 00 - Télécopie 33 (0)1 45 91 59 90	

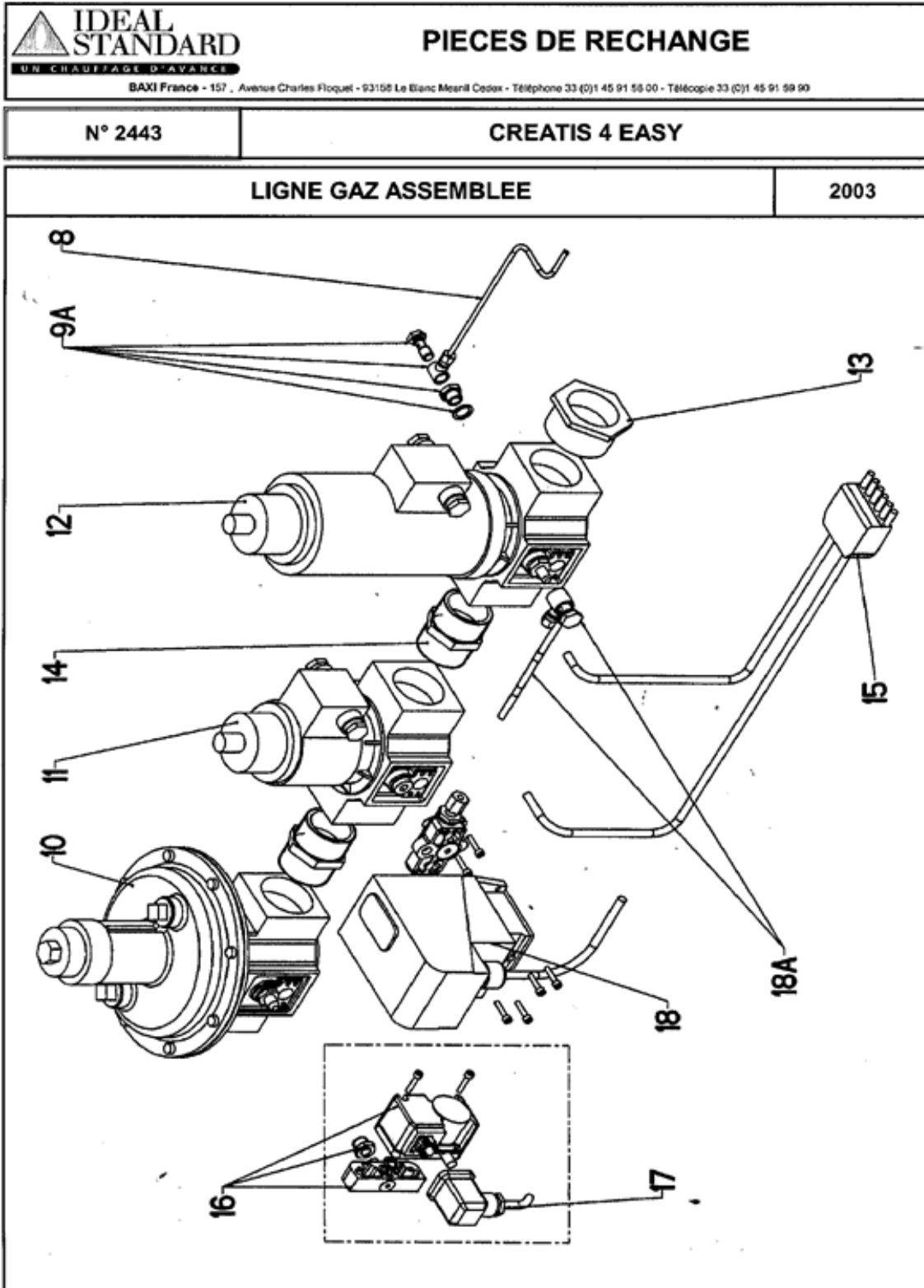
<b>N° 2443</b>	<b>CREATIS 4 EASY</b>
----------------	-----------------------

<b>LIGNE GAZ ASSEMBLEE</b>	<b>2003</b>
----------------------------	-------------

REP	DESIGNATIONS	PIECES COMMUNES		PIECES SPECIFIQUES			
		Qté	Code	Qté	Qté	Qté	Qté
8	TUBE LIGNE GAZ 1"1/2 ( 12 A 18 )	1	S133920				
8	TUBE LIGNE GAZ 2" ( 20 - 22 )	1	S133928				
9A	CORPS DE BANJO 1/8" - TUBE 4/2	1	S133832				
9A	VIS 1 ETAGE 1/8	1	S15929282				
9A	REDUCTION CYLIND. M-F 1/4-1/8	1	S500533				
9A	JOINT BA-U 18x13x1,5	1	S133854				
10	ENS. MONTE RGC 1215 1"1/2 ( 12 A 18 )	1	S17007721				
10	ENS. MONTE RGC 1220 2" ( 20 A 22 )	1	S17007722				
11	VANNE MVD 215/5 1"1/2 ( 12 A 18 )	1	SN9015780				
11	BOBINE N° 280 ( 12 A 18 )	1	S17000584				
11	VANNE MVD 220/5 R ( 20 - 22 )	1	SN9015280				
11	BOBINE N° 300 ( 20 - 22 )	1	S17000585				
12	VANNE ZRDLE 415/5 ( 12 A 18 )	1	SN9015470				
12	VANNE ZRDLE 420/5 ( 20 - 22 )	1	SN9015480				
12	BOBINE 35.1 ( 12 A 22 )	1	S17000583				
13	REDUCTION 241 2"x1"1/2 ( MOD. 20 - 22 )	1	SN9125230				
14	MAMELON N° 280 1"1/2 ( 12 A 18 )	1	SN9125320				
14	MAMELON N° 280 2" A ( 18 A 20 )	1	SN9125330				
15	CABLE VANNE LIGNE GAZ 12/22	1	S17071675				
16	PRESSOSTAT GW 50 A4	1	S17071677				
16	TUBE PRESSOSTAT LG 60	1	S17007225				
17	CABLAGE PRESSOSTAT	1	S17077796				
18	KIT CONTRÔLE ETANCHEITE GAZ ( 12 A 22 )	1	S12000180				

# CREATIS 4 EASY

Repère	Référence	Désignation	Quantité
8	S133920	TUBE LIGNE GAZ 1"1/2	1,0000
8	S133928	TUBE LIGNE GAZ 2"	1,0000
9A	S133832	CORPS DE BANJO 1/8" TUBE 4/2	1,0000
9A	S133854	JOINT BA-U 18x13x1,5	1,0000
9A	S15929282	VIS 1 ETAGE 1/8"	1,0000
9A	S500533	REDUCTION CYLINDR.M-F 1/4-1/8	1,0000
10	S17007721	ENS.MONTE RGC1215 1"1/2	1,0000
10	S17007722	ENS.MONTE RGC 1220 2"	1,0000
11	S17000584	BOBINE N°280 230V	1,0000
11	S17000585	BOBINE N°300 230V (anc.lib:VANNE 7000 ER HC 57C 77816)	1,0000
11	SN9015280	VANNE GAZ MVD 220/5 R	1,0000
11	SN9015780	VANNE MVD 215/5 1"1/2	1,0000
12	S17000583	BOBINE N°35.1 230V	1,0000
12	SN9015470	VANNE ZRDLE 415/5 1"1/2	1,0000
12	SN9015480	VANNE ZRDLE 420/5 P.R	1,0000
13	SN9125230	REDUCTION N°241 2"X1"1/2	1,0000
14	SN9125320	MAMELON N°280 1"1/2	1,0000
14	SN9125330	MAMELON DOUBLE N°280 2" A	1,0000
15	S17071675	CABLE VANNE LIGNE GAZ 12/22	1,0000
16	S17007225	TUBE PRESSOSTAT LG:60 (anc.lib:TUBE MELANGE 33X42 05/09/03)	1,0000
16	S17071677	PRESSOSTAT GW 50 A4 PR.	1,0000
17	S17077796	CABLAGE PRESSOSTAT BG50 PR	1,0000
18	S12000180	KIT CONTROL.ETANCH.GAZ 12a22	1,0000



03/04/2003

Cr4EasyAssemb



# CREATIS 4 EASY

 <p><b>IDEAL STANDARD</b> UN CHAUFFAGE D'AVANCE</p>	<h2 style="margin: 0;">PIECES DE RECHANGE</h2>
BAXI France - 157, Avenue Charles Floquet - 93150 Le Blanc Mesnil Cedex - Téléphone 33 (0)1 45 91 56 00 - Télécopie 33 (0)1 45 91 58 90	

<b>2440</b>	<b>CREATIS 4 EASY / XENIUM</b>
-------------	--------------------------------

<b>BOITE A FUMEE</b>	<b>2003</b>
----------------------	-------------

REP	DESIGNATIONS	PIECES COMMUNES		PIECES SPECIFIQUES			
		Qté	Code	Qté	Qté	Qté	Qté
1	BOITE A FUMEEES 9 ELEMENTS	1	SN7462180				
1	BOITE A FUMEEES 10 ELEMENTS	1	SN7462190				
1	BOITE A FUMEEES 11 ELEMENTS	1	SN7462200				
1	BOITE A FUMEEES 12 ELEMENTS	1	SN7462210				
1	BOITE A FUMEEES 13 ELEMENTS	1	SN7462220				
1	BOITE A FUMEEES 14 ELEMENTS	1	SN7462230				
1	BOITE A FUMEEES 15 ELEMENTS	1	SN7462240				
1	BOITE A FUMEEES 16 ELEMENTS	1	SN7462250				
1	BOITE A FUMEEES 17 ELEMENTS	1	SN7462260				
1	BOITE A FUMEEES 18 ELEMENTS	1	SN7462270				
1	BOITE A FUMEEES 20 ELEMENTS	1	SN7462280				
1	BOITE A FUMEEES 22 ELEMENTS	1	SN7462290				
2	TRAPPE BOITE A FUMEEES 9 ELEMENTS	1	SN9078984				
2	TRAPPE BOITE A FUMEEES 10 ELEMENTS	1	SN9078994				
2	TRAPPE BOITE A FUMEEES 11 ELEMENTS	1	SN9079004				
2	TRAPPE BOITE A FUMEEES 12 ELEMENTS	1	SN9079014				
2	TRAPPE BOITE A FUMEEES 13 ELEMENTS	1	SN9079024				
2	TRAPPE BOITE A FUMEEES 14 ELEMENTS	1	SN9079034				
2	TRAPPE BOITE A FUMEEES 15 ELEMENTS	1	SN9079044				
2	TRAPPE BOITE A FUMEEES 16 ELEMENTS	1	SN9079054				
2	TRAPPE BOITE A FUMEEES 17 ELEMENTS	1	SN9079064				
2	TRAPPE BOITE A FUMEEES 18 ELEMENTS	1	SN9079074				
2	TRAPPE BOITE A FUMEEES 20 ELEMENTS	1	SN9079084				
2	TRAPPE BOITE A FUMEEES 22 ELEMENTS	1	SN9079094				
3	SACHET DE VISSERIE	1	S503295				
4	CALORIFUGE DESSUS 9 ELEMENTS	1	S17070907				
4	CALORIFUGE DESSUS 10 ELEMENTS	1	S17070908				
4	CALORIFUGE DESSUS 11 ELEMENTS	1	S17070909				
4	CALORIFUGE DESSUS 12 ELEMENTS	1	S17070910				
4	CALORIFUGE DESSUS 13 ELEMENTS	1	S17070911				
4	CALORIFUGE DESSUS 14 ELEMENTS	1	S17070912				
4	CALORIFUGE DESSUS 15 ELEMENTS	1	S17070913				
4	CALORIFUGE DESSUS 16 ELEMENTS	1	S17070914				
4	CALORIFUGE DESSUS 17 ELEMENTS	1	S17070915				
4	CALORIFUGE DESSUS 18 ELEMENTS	1	S17070916				
4	CALORIFUGE DESSUS 20 ELEMENTS	1	S17070917				
4	CALORIFUGE DESSUS 22 ELEMENTS	1	S17070918				

CREATIS 4 EASY

 <b>IDEAL STANDARD</b> UN CHAUFFAGE D'AVANCE	<b>PIECES DE RECHANGE</b>
BAXI France - 157, Avenue Charles Floquet - 93156 Le Blanc Mesnil Cedex - Téléphone 33 (0)1 45 91 56 00 - Télécopie 33 (0)1 45 91 59 90	

<b>2440</b>	<b>CREATIS 4 EASY / XENIUM</b>
-------------	--------------------------------

<b>BOITE A FUMEE</b>	<b>2003</b>
----------------------	-------------

REP	DESIGNATIONS	PIECES COMMUNES		PIECES SPECIFIQUES			
		Qté	Code	Qté	Qté	Qté	Qté
5	THERMOSTAT FUMEEES	1	S500540				
5A	RALLONGE POUR TTB	1	S136611				
6	SUPPORT THERMOSTAT FUMEEES	1	S136917				
7	FEUTRE CERAMIQUE 20x3 ( 4,5 M )	1	SN9205320				

# CREATIS 4 EASY

Repère	Référence	Désignation	Quantité
1	SN7462180	ENS.BAF ASS.BG5009 T/E	1,0000
1	SN7462190	ENS.BAF ASS.BG5010 T/E	1,0000
1	SN7462200	ENS BAPF ASS. BG5011 T/E	1,0000
1	SN7462210	ENS.BAF ASS.BG5012 T/E	1,0000
1	SN7462220	ENS B.A.F ASS.BG5013 T/E	1,0000
1	SN7462230	ENS.BAF ASS.BG5014 PRESTIGE	1,0000
1	SN7462240	ENS.BAF ASS.BG5015 PRESTIGE	1,0000
1	SN7462250	ENS.BAF ASS.BG5016 PRESTIGE	1,0000
1	SN7462260	ENS. BAF ASS. BG5017 PRESTIGE	1,0000
1	SN7462270	ENS.BAF ASS.BG5018 PRESTIGE	1,0000
1	SN7462280	ENS.BAF ASS.BG5020 PRESTIGE	1,0000
1	SN7462290	ENS.BAF ASS.BG5022 PRESTIGE	1,0000
2	SN9078984	TRAPPE BAF BG5009 RODIAM.PR	1,0000
2	SN9078994	TRAPPE BAF BG5010 RODIAM.	1,0000
2	SN9079004	TRAPPE DE BAGF BG5011 RODIAM.	1,0000
2	SN9079014	TRAPPE BAF BG5012 RODIAM.	1,0000
2	SN9079024	TRAPPE B.A.F BG5013 RODIAM.	1,0000
2	SN9079034	TRAPPE BAF BG5014 RODIAM.PR	1,0000
2	SN9079044	TRAPPE BAF BG5015 RODIAM.	1,0000
2	SN9079054	TRAPPE DE B.A.F BG5016	1,0000
2	SN9079064	TRAPPE BAF BG5017 RODIAM.	1,0000
2	SN9079074	TRAPPE BAF BG5018 RODIAM.	1,0000
2	SN9079084	TRAPPE BAF BG5020 RODIAM.	1,0000
2	SN9079094	TRAPPE BAF BG5022 RODIAM.	1,0000
3	S503295	SACHET VISSERIE B.A.F	1,0000
4	S17070907	ISOLANT BAF BG 5009 NM	1,0000
4	S17070908	ISOLANT BAF BG 5010 NM	1,0000
4	S17070909	ISOLANT BAF BG 5011 NM	1,0000
4	S17070910	ISOLANT BAF BG 5012 NM	1,0000
4	S17070911	ISOLANT BAF BG 5013 NM	1,0000
4	S17070912	ISOLANT BAF BG 5014 NM	1,0000
4	S17070913	ISOLANT BAF BG 5015 NM	1,0000
4	S17070914	ISOLANT BAF BG 5016 NM	1,0000
4	S17070915	ISOLANT BAF BG 5017 NM	1,0000

## CREATIS 4 EASY

Repère	Référence	Désignation	Quantité
4	S17070916	ISOLANT BAF BG 5018 NM	1,0000
4	S17070917	ISOLANT BAF BG 5020 NM	1,0000
4	S17070918	ISOLANT BAF BG 5022 NM	1,0000
5	S500540	THERMOSTAT FUMEE	1,0000
5A	S136611	RALLONGE POUR THERMOSTAT DEBORD.FUMEEES	1,0000
6	S136917	SUPPORT THERMOSTAT FUMEEES	1,0000
7	SN9205320	FEUTRE CERAMIQUE 20X3 (LE M)	1,0000



**PIECES DE RECHANGE**

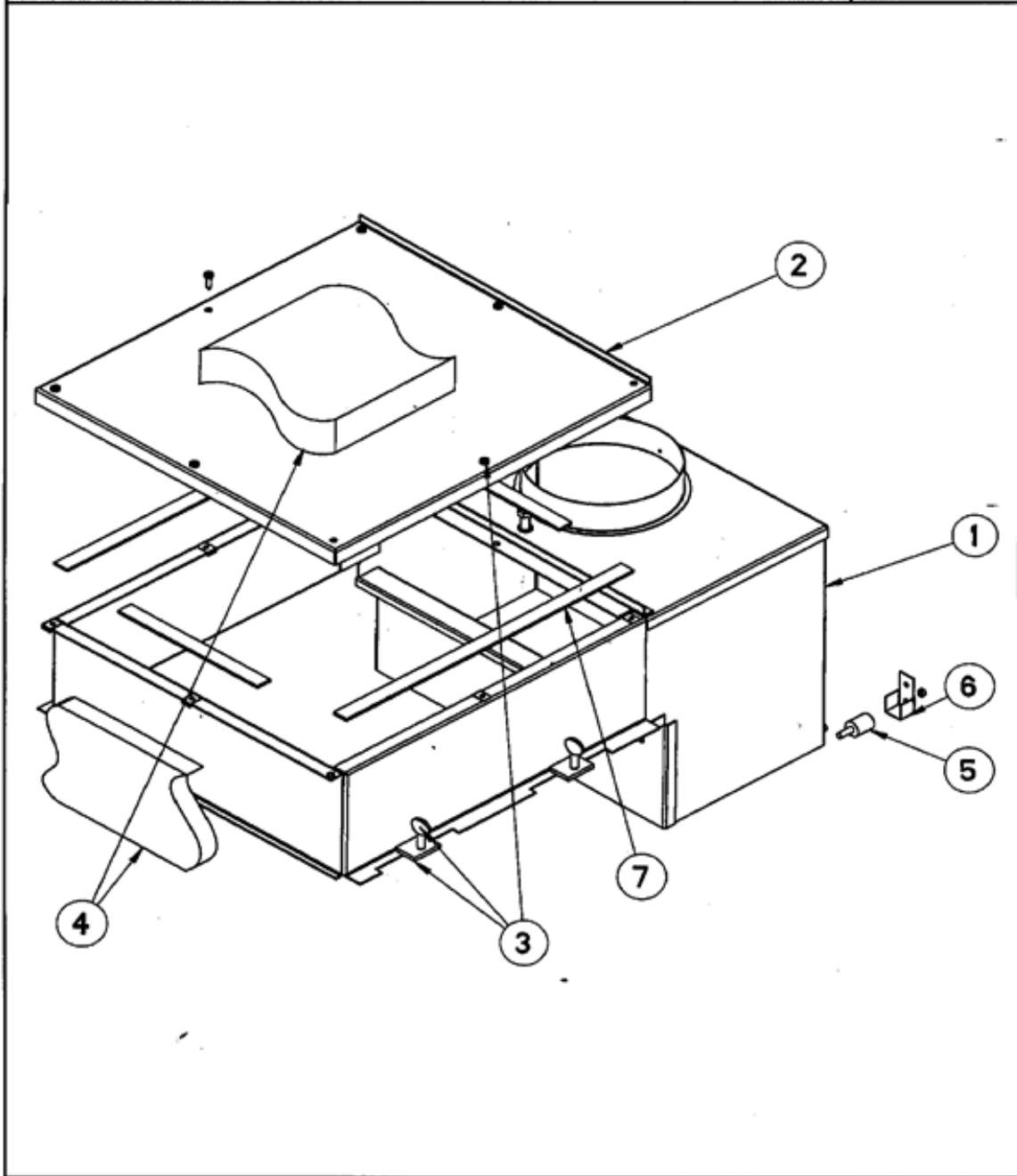
BAXI France - 157, Avenue Charles Floquet - 93158 Le Blanc Mesnil Cedex - Téléphone 33 (0)1 45 91 56 00 - Télécopie 33 (0)1 45 91 59 90

**N° 2440**

**CREATIS 4 EASY / XENIUM**

**BOITE A FUMÉES**

**2003**



06/05/2003

2440 Cr4X6nBAF