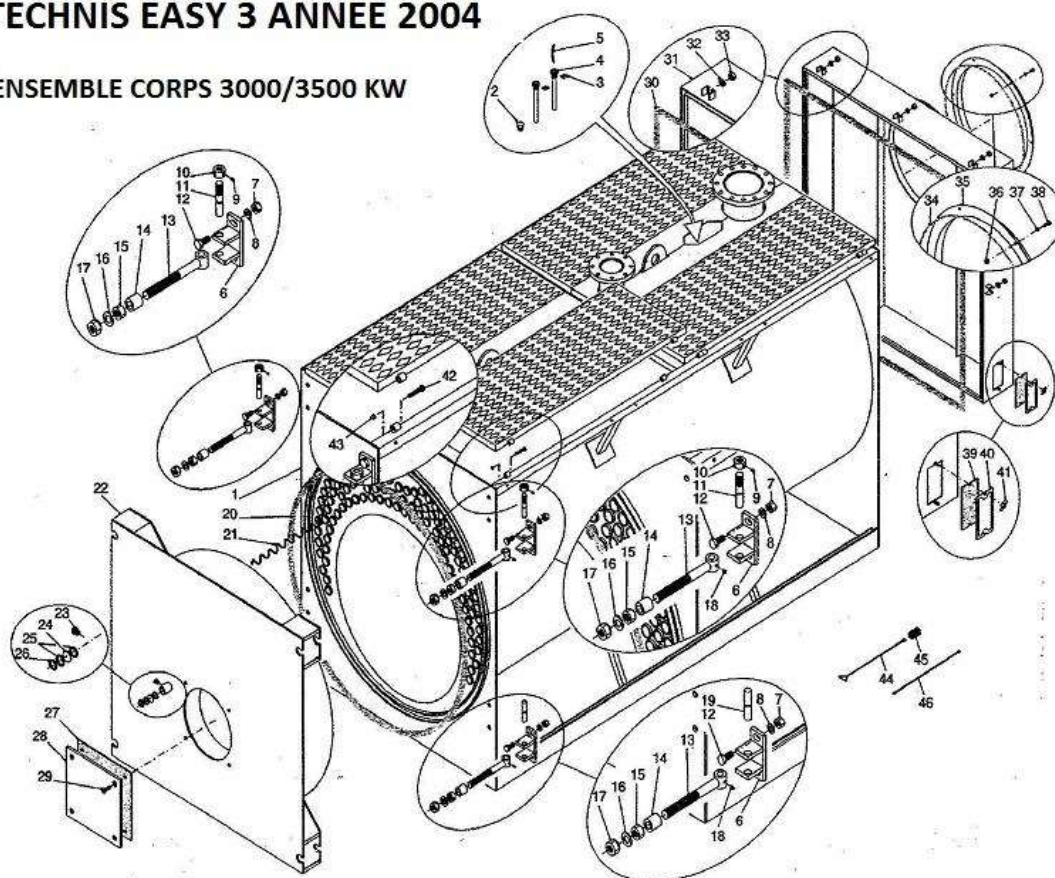


TECHNIS EASY 3 ANNEE 2004

ENSEMBLE CORPS 3000/3500 KW





TECHNIS Easy 3

TECHNIS Easy 3 Version 1

Réf.	Référenc	Description	Qté	Tarif	Substitut	Tarif Sub.	Remarques
0	S1999995	RALLONGE TIGE PORTE ECOUVILL	1	15,10 €			
0	S1999994	RALLONGE TIGE PORTE ECOUVILL	1	12,90 €			
3	S1999991	BAGUE D'ARRET D:38 (ACM0101)	1	1,05 €			
4	S1999993	DOIGT GANT 15/16 L147(GUA0005)	1	12,40 €			
5	S1999991	RESSORT DE CONTACT (ATE0013)	1	1,55 €			
6	S1999995	CHARNIERE PORTE (SPP0072)	1	190,00 €			
6	S1999995	CHARNIERE PORTE (SPP0072)	1	190,00 €			
6	S1999995	CHARNIERE PORTE (SPP0072)	1	190,00 €			
6	S1999995	CHARNIERE PORTE (SPP0057)	1	120,00 €			
6	S1999995	CHARNIERE PORTE (SPP0057)	1	120,00 €			
6	S1999995	CHARNIERE PORTE (SPP0057)	1	120,00 €			
7	S1999992	ECROU HEXAGONAL M20 (DAD001)	1	1,90 €			
7	S1999992	ECROU HEXAGONAL M20 (DAD001)	1	1,90 €			
7	S1999992	ECROU HEXAGONAL M20 (DAD001)	1	1,90 €			
8	S1999995	RONDELLE ELAST.21x33 (ROS0007)	1	1,90 €			
8	S1999995	RONDELLE ELAST.21x33 (ROS0007)	1	1,90 €			
8	S1999995	RONDELLE ELAST.21x33 (ROS0007)	1	1,90 €			
9	S1999996	VIS M8x8 (VIM0006)	1	1,05 €			
9	S1999996	VIS M8x8 (VIM0006)	1	1,05 €			
10	S1999992	ECROU HEXAGONAL M30 (DAD002)	1	10,90 €			
10	S1999992	ECROU HEXAGONAL M30 (DAD002)	1	10,90 €			
11	S1999994	PIVOT CHARNIERE SUP.PORTE (PI)	1	12,00 €			
11	S1999994	PIVOT CHARNIERE SUP.PORTE (PI)	1	12,00 €			
12	S1999996	TRAVERSE TXN 840 (137462)	1	90,40 €			
12	S1999996	TRAVERSE TXN 840 (137462)	1	90,40 €			
12	S1999996	TRAVERSE TXN 840 (137462)	1	90,40 €			
13	S1999986	RALLONGE TIGE PORTE ECOUVILL	1	12,00 €			
13	S1999986	RALLONGE TIGE PORTE ECOUVILL	1	12,00 €			
13	S1999986	RALLONGE TIGE PORTE ECOUVILL	1	12,00 €			
13	S1999994	CHARNIERE PIVOTANTE (PRN008)	1	87,50 €			
13	S1999994	CHARNIERE PIVOTANTE (PRN008)	1	87,50 €			
13	S1999994	CHARNIERE PIVOTANTE (PRN008)	1	87,50 €			
14	S1999991	MANCHON (BUS0013)	1	30,70 €			
14	S1999991	MANCHON (BUS0013)	1	30,70 €			
14	S1999991	MANCHON (BUS0013)	1	30,70 €			
15	S1999992	ECROU HEXAGONAL M30 (DAD002)	1	7,30 €			
15	S1999992	ECROU HEXAGONAL M30 (DAD002)	1	7,30 €			
15	S1999992	ECROU HEXAGONAL M30 (DAD002)	1	7,30 €			
16	S1999994	TIGE PORTE ECOUVILLON(PUC022)	1	12,90 €			
16	S1999994	TIGE PORTE ECOUVILLON(PUC022)	1	12,90 €			
16	S1999994	TIGE PORTE ECOUVILLON(PUC022)	1	12,90 €			
17	S1999985	ECROU HEXAGONAL (13803)	1	25,40 €			
17	S1999985	ECROU HEXAGONAL (13803)	1	25,40 €			
17	S1999985	ECROU HEXAGONAL (13803)	1	25,40 €			
19	S1999994	PIVOT CHARNIERE INF.PORTE (PR)	1	9,20 €			
20	S1999988	JOINT 28x32 (23691)	1	117,00 €			
21	S1999989	KIT TURBULATEURS 3/3500(27001)	1	1719,00 €			
21	S1999989	KIT TURBULATEURS 3/3000(27000)	1	1048,00 €			
23	S1999993	PRISE PRESSION 1/8" (PPS0110C)	1	34,90 €			

24	S1999995	VERRE TREMPE D:38x8 (VES0020)	1	31,00 €
25	S1999992	JOINT D:30x38x1,5 (GAM0030)	1	14,90 €
26	S1999991	BAGUE D'ARRET D:38 (ACM0101)	1	1,05 €
27	S1999993	ISOLATION PLAQ.BRUL.3/2200(GIN	1	42,90 €
28	S1999993	PLAQUE PORTE BRULEUR PLEINE	1	315,00 €
30	S1999987	CORDON FIBRE VERRE 12x22 (2 M	1	53,00 €
34	S1999993	CORDON FIBRE DE VERRE(GTA000	1	126,00 €
39	S1999985	JOINT TRAPPE RAMONAGE (1193C	1	51,40 €
44	S1999994	TIGE PORTE ECOUVILLON(PUC023	1	13,80 €
45	S1999995	ECOUVILLON ROND (PUC0400)	1	129,00 €
45	S1999995	ECOUVILLON ROND (PUC0401)	1	13,50 €