

LUNA HTE

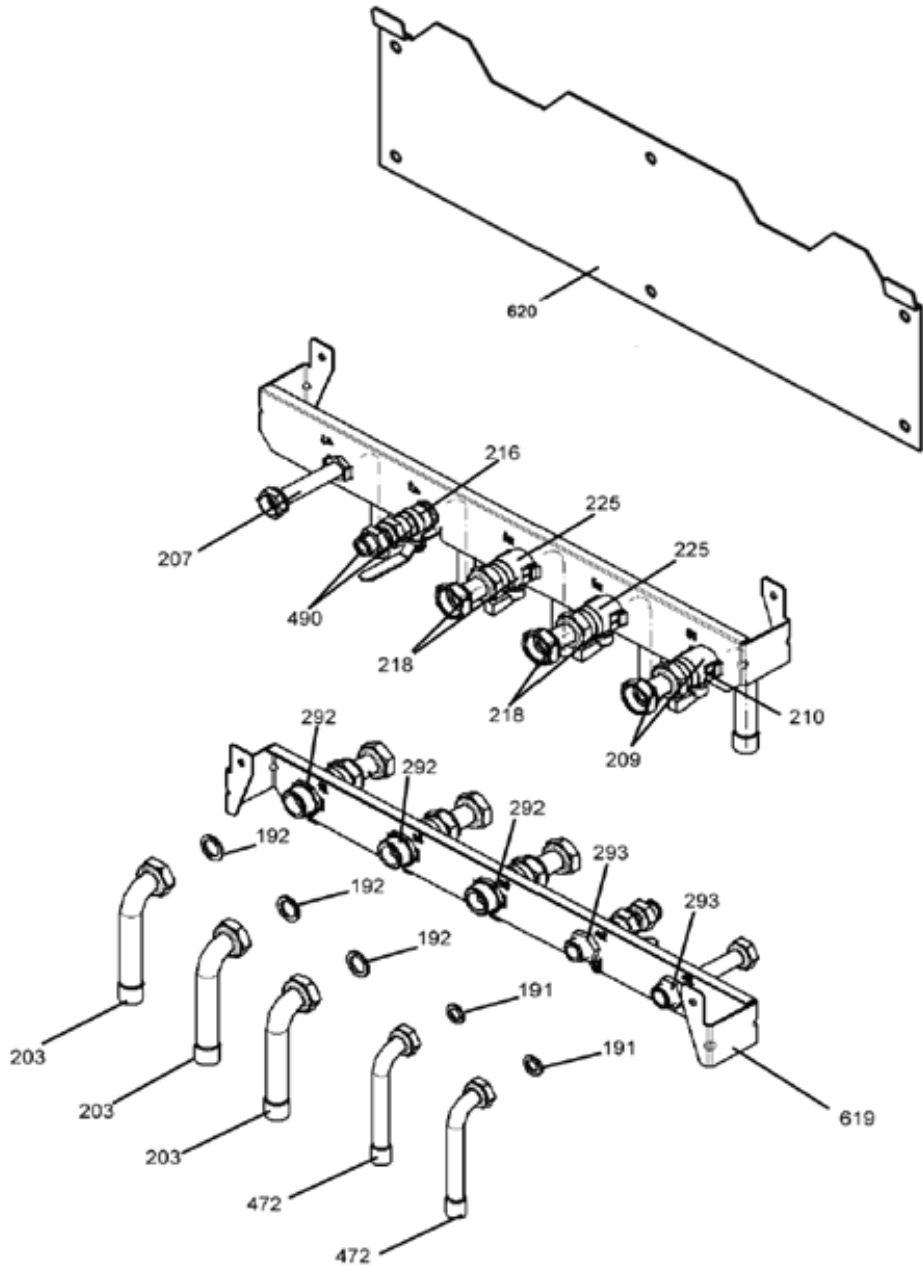
Repère	Référence	Désignation	Quantité
191	SX5404640	JOINT G 1/2" (x10) (PDM5404640)	1,0000
192	SX5404650	JOINT G3/4" 17x24x2 (X10) #	1,0000
203	SX5625140	TUBE D:18 (5625140)	1,0000
203	SX5668850	TUBE D:18 (5668850)	1,0000
207	SX5663960	TUBE SORTIE SANITAIRE (5663960)	1,0000
209	SX5664010	GROUPE ROBINET GAZ (5664010)	1,0000
210	SX9950830	ROBINET MM G3/4" (9950830)	1,0000
216	SX5626790	ROBINET ENTREE SANITAIRE G1/2 (5626790)	1,0000
218	SX5661560	GROUPE ROBINET CHAUFFAGE (5661560)	1,0000
225	SX9950840	ROBINET CHAUFFAGE G3/4" M.M (9950840)	1,0000
292	SX9950320	CONTRE ECROU G 3/4 (9950320)	1,0000
293	SX5204900	CONTRE ECROU G 1/2 (5204900)	1,0000
472	SX5625150	TUBE D:14 (5625150)	1,0000
472	SX5668850	TUBE D:18 (5668850)	1,0000
490	SX5626810	GROUPE ROBINET ENTR SANITAIRE G1/2 (5626810)	1,0000
619	SX5113870	TRAVERSE PLATINE HYDRAULIQUE (5113870)	1,0000
620	SX5109750	TRAVERSE SUPERIEURE (5109750)	1,0000
999	KFG714073711	Barrette de robinetterie	1,0000
999	SX9223960	GABARIT EN PAPIER (9223960)	1,0000
999	SX5660080	GROUPE VIS DE FIXATION (5660080)	1,0000
999	SX0614720	SACHET DE JOINTS (0614720)	1,0000

LUNA HTE



BARRETTE DUO3

N°	KFG714073711	
----	--------------	--





BARRETTE DUO 3

N°	KFG714073711			
Repere	Désignation	Qté	Code	Zone note détail pièce
191	Joint G 1/2"	1	SX5404640	
192	Joint G 3/4"	1	SX5404650	
203	Tube D. 18	1	SX5625140	jusqu'à B316
203	Tube D. 18	1	SX5668850	à partir de B316 interchangeable
207	Tube sortie sanitaire	1	SX5663960	
209	Groupe robinet gaz/raccorde	1	SX5664010	
210	Robinet gaz G 3/4	1	SX9950830	
216	Robinet entrée sanitaire G 1/2 DUO	1	SX5626790	
218	Groupe robinet chauffage	1	SX5661560	
225	Robinet chauffage	1	SX9950840	
292	Contre ecrou G 3/4	1	SX9950320	
293	Contre ecrou G 1/2	1	SX5204900	
472	Tube D. 14	1	SX5625150	jusqu'à B316
472	Tube D. 14	1	SX5668850	à partir de B316 interchangeable
490	Groupe robinet entrée sanitaire G 1/2	1	SX5626810	
619	Traverse platine hydraulique	1	SX5113870	
620	Traverse supérieure	1	SX5109750	
999	Barrette de robinetterie	1	KFG714073711	
999	Gabarit en papier	1	SX9223960	à partir de B316
999	Group vises de fix.	1	SX5660080	
999	Group joint	1	SX0614720	

LUNA HTE

Repère	Référence	Désignation	Quantité
1	SX5106510	MONTANT LATERAL	1,0000
1	SX5116480	MONTANT LATERAL (5116480)	1,0000
2	SX5663160	PANNEAU COTE GAUCHE (5663160)	1,0000
2	SX5684630	PANNEAU COTE GAUCHE	1,0000
3	SX5663140	PANNEAU COTE DROIT (5663140)	1,0000
3	SX5684620	PANNEAU COTE DROIT (5684620)	1,0000
4	SX5659960	PANNEAU AVANT ZENIS 3.28 (5659960)	1,0000
4	SX5686140	PANNEAU AVANT	1,0000
5	SX5114030	TRAVERSE ARRIERE SUPERIEURE	1,0000
6	SX5106550	TRAVERSE PLATINE HYDRAULIQUE (5106550)	1,0000
7	SX5107950	TRAVERSE SUPERIEURE AVANT (5107950)	1,0000
8	SX5410080	TUBE SILICONE PRESSOST.LG:800	1,0000
10	SX5409990	RACCORDMENT VENTOUSE	1,0000
11	SX5409010	JOINT VENTOUSE CAOUTCHOUC (5409010)	1,0000
12	SX5108690	OBTURATEUR (5108690)	1,0000
13	SX5407400	JOINT OBTURATEUR DECOUPE (x3)	1,0000
18	SX5663330	VENTURI D=24 (5663330)	1,0000
21	SX5402050	JOINT 6,1x11,5x1,5 (X3)	1,0000
22	SX5662680	VENTILATEUR RG 128/1300	1,0000
22	SX5682500	VENTILATEUR RG 128/1300	1,0000
22	SX5686970	VENTILATEUR RG 128/1300	1,0000
22	SX5691840	VENTILATEUR RG 128/1300	1,0000
26	SX5114000	PANNEAU COTE CHAMBRE ETANCHE	1,0000
27	SX5114510	AN.ARRIERE CHAMBRE ETANCHE	1,0000
27	SX5116330	CHAMBRE ETANCHE DUO HTE	1,0000
29	SX5410450	PANNEAU ISOL.ARRIERE (5410450)	1,0000
30	SX5409100	PANNEAU ISOLANT (5409100)	1,0000
32	SX5663300	ECHANGEUR PRINCIP.6E (5663300)	1,0000
33	SX5403130	O-RING 22X3 EPDM (x3) (5403130)	1,0000
34	SX5113650	CLIPS ECHANGEUR PRINCIPAL	1,0000
35	SX5629130	VASE D'EXPANSION 7,5L	1,0000
37	SX5666790	PANNEAU AVANT CHAMBRE ETANCHE	1,0000
37	SX5689680	PAN.AVANT CHAMBRE ETANCHE	1,0000
38	SX5401610	JOINT HUBLOT (x3) (5401610)	1,0000

LUNA HTE

Repère	Référence	Désignation	Quantité
39	SX5203930	HUBLLOT (5203930)	1,0000
40	SX5103360	COUVERCLE HUBLLOT (5103360)	1,0000
41	SX5663430	BRULEUR 6 BECS (5663430)	1,0000
46	SX5666540	TUBE GAZ	1,0000
49	SX5409280	BOUCHON RACCORD.VENTOUSE (5409280)	1,0000
59	SX8419900	CABLE ELECTRODE D'ALLUMAGE (8419900)	1,0000
59	SX8510970	CABLE ELECTRODE D'ALLUMAGE (8510970)	1,0000
63	SX8422830	ELECTRODE D'ALLUMAGE LUNA HTE (8422830)	1,0000
65	SX8422840	ELECTRODE IONIS.LUNA HTE (8422840)	1,0000
70	SX5666530	TUBE POMPE-ECHANGEUR DUO	1,0000
72	SX5655620	POMPE GRUNDFOS 15/60 (5655620)	1,0000
73	SX0607290	DEGAZEUR (607290)	1,0000
75	SX5409240	JOINT TUBE/CAISSON D:10 (5409240)	1,0000
78	SX5668540	BALLON	1,0000
79	SX9950610	SOUPAPE DE SECURITE 7BARS	1,0000
80	SX5668600	RACCORD ENTREE SANITAIRE	1,0000
83	SX5620090	LIMITEUR DEBIT SANIT.12L/MN	1,0000
91	SX5652030	ROBINET DE VIDANGE (PDM5652030)	1,0000
92	SX9950600	SOUPAPE DE SECURITE 3BARS	1,0000
95	SX5668740	ANODE MAGNESIUM	1,0000
96	SX5668550	TUBE V3V ENTREE SERPENTIN	1,0000
98	SX5212040	TUBE BY-PASS CHAUFFAGE (5212040)	1,0000
102	SX5663040	ENS.VANNE 3 VOIES (5663040)	1,0000
104	SX5668570	CONNEXION DEPART ECS	1,0000
109	SX5207810	JOINT (x3) (5207810)	1,0000
112	SX5405320	MEMBRANE SECURITE DEBIT D'EAU (x3) (PDM5405320)	1,0000
114	SX0400200	JOINT 25,2x2,62 (x3)	1,0000
131	SX8434840	SONDE CTN CH et SN HTE (8434840)	1,0000
131	SX8435400	SONDE CTN (8435400)	1,0000
132	SX5402830	JOINT SONDE SANITAIRE (X10) (PDM5402830)	1,0000
134	SX5212150	DIAPHRAGME GAZ D:12 (5212150)	1,0000
135	SX9950760	SECURITE SURCHAUFFE 105° (9950760)	1,0000
136	SX5666520	TUBE V3V/ECHANGEUR DUO	1,0000
138	SX5402010	JOINT O-RING (x3) (PDM5402010)	1,0000

LUNA HTE

Repère	Référence	Désignation	Quantité
139	SX5637870	TUBE ENTREE GAZ	1,0000
140	SX5662640	VANNE GAZ SIEMENS VDU(5662640)	1,0000
140	SX5671930	VANNE GAZ SIT 848 SIGMA <40kw	1,0000
147	SX5109720	PANNEAU INFERIEUR (5109720)	1,0000
147	SX5116500	PANNEAU INFERIEUR JAQUETTE (5116500)	1,0000
151	SX5409590	COUVERCLE BOIT.ELECT.LUNA HTE (5409590)	1,0000
152	SX5668690	PANNEAU COM.LUNA DUO 3.33 FF HTE	1,0000
153	SX5407660	COUVERCLE BRANCHE.ELECTRIQUE (5407660)	1,0000
154	SX5666510	CIRCUIT IMPRIME SIEMENS LMU5	1,0000
154	SX5670360	CIRCUIT IMPRIME SIEMENS LMU5	1,0000
154	SX5677340	CIRCUIT IMPRIME (5677340)	1,0000
154	SX5680190	CIRCUIT IMPRIME (5680190)	1,0000
154	SX5680200	CIRCUIT IMPRIME LMU54	1,0000
156	SX5663400	CIRCUIT IMPRI.DISPLAY LUNA HTE (5663400)	1,0000
156	SX5669090	CIRCUIT IMPRI.DISPLAY LUNA HTE (5669090)	1,0000
157	SX5668750	PORTE BOITIER ELEC.LUNA DUO	1,0000
165	SX5668580	TUBE ENTREE SANITAIRE	1,0000
166	SX8421590	BORNIER DE RACCORDEMENT (PDM8421590)	1,0000
167	SX5405340	PORTE-FUSIBLES (x3) (PDM5405340)	1,0000
168	SX9950580	FUSIBLES 2A 250V (X10) (9950580)	1,0000
169	SX5656220	MANOMETRE AVEC SUPPORT (5656220)	1,0000
190	SX5404970	JOINT 3/8" (x10) (PDM5404970)	1,0000
191	SX5408970	JOINT G1/2" (5408970)	1,0000
192	SX5404650	JOINT G3/4" 17x24x2 (X10) #	1,0000
236	SX5625310	DISCONNECTEUR CALEFFI DUO (PDM5625310)	1,0000
242	SX8434830	SECURITE DE DEBORDEMENT 75° (8434830)	1,0000
285	SX5409600	COUVERCLE BRANCH.ELECTRIQUE (5409600)	1,0000
310	SX5641850	PRESSOSTAT POMPE (5641850)	1,0000
314	SX8510580	CABLE ELECTRODE IONISATION	1,0000
316	SX8380610	RESSORT FIX.MICRO (8380610)	1,0000
336	SX8380680	RESSORT FIX MOTEUR V3V	1,0000
337	SX5647340	MOTEUR V3V ELBI	1,0000
342	SX5641800	MICRO-INTERRUPTEUR V3V	1,0000
356	SX5634820	BOUCHON AVANT (GROUPE) (5634820)	1,0000

LUNA HTE

Repère	Référence	Désignation	Quantité
357	SX8380600	RESSORT SECURITE DEBIT D'EAU (8380600)	1,0000
358	SX5634830	BOUCHON PRESSOSTAT (5634830)	1,0000
365	SX5106530	TRAVERSE ARRIERE INFERIEURE	1,0000
371	SX5668590	TUBE REMPLISSAGE CIRCUIT CHAUFFAGE	1,0000
373	SX5109080	FILTRE CHAUFFAGE (PDM5109080)	1,0000
375	SX5663030	TUBE BY-PASS (5663030)	1,0000
379	SX5206120	REDUCTION FM G 3/4-1/2 (5206120)	1,0000
380	SX5400620	JOINT 4,47x1,78 (5400620)	1,0000
381	SX5209830	PIVOT PANNEAU COMMANDE (5209830)	1,0000
382	SX8419910	CABLE D'IONISATION (8419910)	1,0000
382	SX8511130	CABLE ELECTRODE IONISATION	1,0000
408	SX5211790	BRIDE RACCORD ECHANGEUR (5211790)	1,0000
409	SX5409090	JOINT ECHANGEUR HTE (5409090)	1,0000
411	SX5409110	JOINT ELECTRODE IONI.(5409110)	1,0000
415	SX5409060	BOITIER SIPHON HYDRAULIQUE (5409060)	1,0000
415	SX5677920	BOITIER SIPHON HYDRAULIQUE (5677920)	1,0000
417	SX615380	GROUP BOUCHON SIPHON HYD/JOINT	1,0000
419	SX5409080	JOINT BRIDE/ECHANGEUR (5409070)	1,0000
423	SX5210410	RACCORD VANNE GAZ	1,0000
425	SX5409130	JOINT EXTRACTEUR (5409130)	1,0000
425	SX5411420	JOINT EXTRACTEUR (5411420)	1,0000
428	SX5409290	JOINT HUBLLOT (X3) (5409290)	1,0000
432	SX5410420	JOINT FUMEEES Ø60	1,0000
434	SX5409910	COLLECTEUR FUMEEES NUVOLA HTE	1,0000
434	SX5682330	COLLECTEUR DE FUMEE DUO HTE	1,0000
435	SX5407550	JOINT FUMEEES Ø100 (5407550)	1,0000
438	SX5409050	JOINT COLLECT/FUMEEES (5409050)	1,0000
438	SX5410480	JOINT COLLECT/FUMEEES (5410480)	1,0000
443	SX5212090	RACCORD SECU.DEBORD. (5212090)	1,0000
445	SX5409310	TUBE SIPHON HYDRAU. (5409310)	1,0000
448	SX5209230	PORTE CLAPET ANTIRETOUR	1,0000
449	SX5640030	CLAPET ANTI RETOUR (5640030)	1,0000
458	SX5409350	O-RING 2,62x58,42	1,0000
459	SX5411610	EVACUATION CONDENSAT EPDM	1,0000

LUNA HTE

Repère	Référence	Désignation	Quantité
511	SX5404600	O-RING 17,86X2,62 (X3)	1,0000
514	SX5663010	RACCORD R.C/POMPE/FILTRE (5663010)	1,0000
525	SX616800	ALLUMEUR ANSTOS	1,0000
525	SX8434850	ALLUMEUR ANSTOS ZAG2V(8434850)	1,0000
525	SX8435220	ALLUMEUR ANSTOS ZAG 2V (8435220)	1,0000
601	SX5408560	O-RING 8,73X1,78 (x3) (5408560)	1,0000
607	SX8434930	SONDE CTN SANITAIRE	1,0000
621	SX5663120	TUBE REMPLISSAGE /CHAUFFAGE (5663120)	1,0000
622	SX5622860	TUBE BALLON/DISCONNECTEUR	1,0000
631	SX5663310	TUBE DEGAZEUR (5663310)	1,0000
647	SX5652730	DEGAZEUR G 3/8 (5652730)	1,0000
671	SX5646780	ROBINET DE VIDANGE (5646780)	1,0000
672	SX5668560	TUBE SORTIE SERPENT/RAC/PRESS.	1,0000
673	SX5410030	TUBE PVC 15x23 L=280	1,0000
674	SX5409410	JOINT ECHANGEUR 5/6E (x4) (5409410)	1,0000
675	SX8380780	RESSORT FIXAT.ECHANG.(8380780)	1,0000
678	SX5665130	ENS.COUCVERCLE AIR/GAZ(5665130)	1,0000
679	SX8419920	CABLE MASSE ELECTRODE ALLUMAGE (8419920)	1,0000
679	SX8510980	CABLE MASSE ELECTRODE ALLUMAGE (8510980)	1,0000
680	SX5409250	JOINT PASSE-TUBE D:15	1,0000
681	SX5409120	JOINT ELECTRODE ALLU.(5409120)	1,0000
682	SX5211800	HUBLLOT (5211800)	1,0000
686	SX5663020	CLAPET ANTI-RETOUR (5663020)	1,0000
999	SX5663850	CABLE PREDISPOSITION THERMOSTATS (5663850)	1,0000
999	SX8414620	CABLE M1 ALIM ELEC (8414620)	1,0000
999	SX8419950	CABLE BARRETTE CONNEXION ELECTRIQUE (8419950)	1,0000
999	SX8419990	CABLE CONNEX.CIRCUIT (8419990)	1,0000
999	SX8510530	CABLE EXTRACTEUR THERMOS.FUMEE	1,0000
999	SX8510540	CABLE CONTROLE EXTRACTEUR	1,0000
999	SX8510550	CABLE SONDE CTN CHAUF POMPE BAL.	1,0000
999	SX8510560	CABLE VANNE 3V	1,0000
999	SX8510570	CABLE VANNE GAZ	1,0000
999	SX8511550	CABLE VANNE GAZ (8511550)	1,0000

LUNA HTE



LUNA HTE DUO

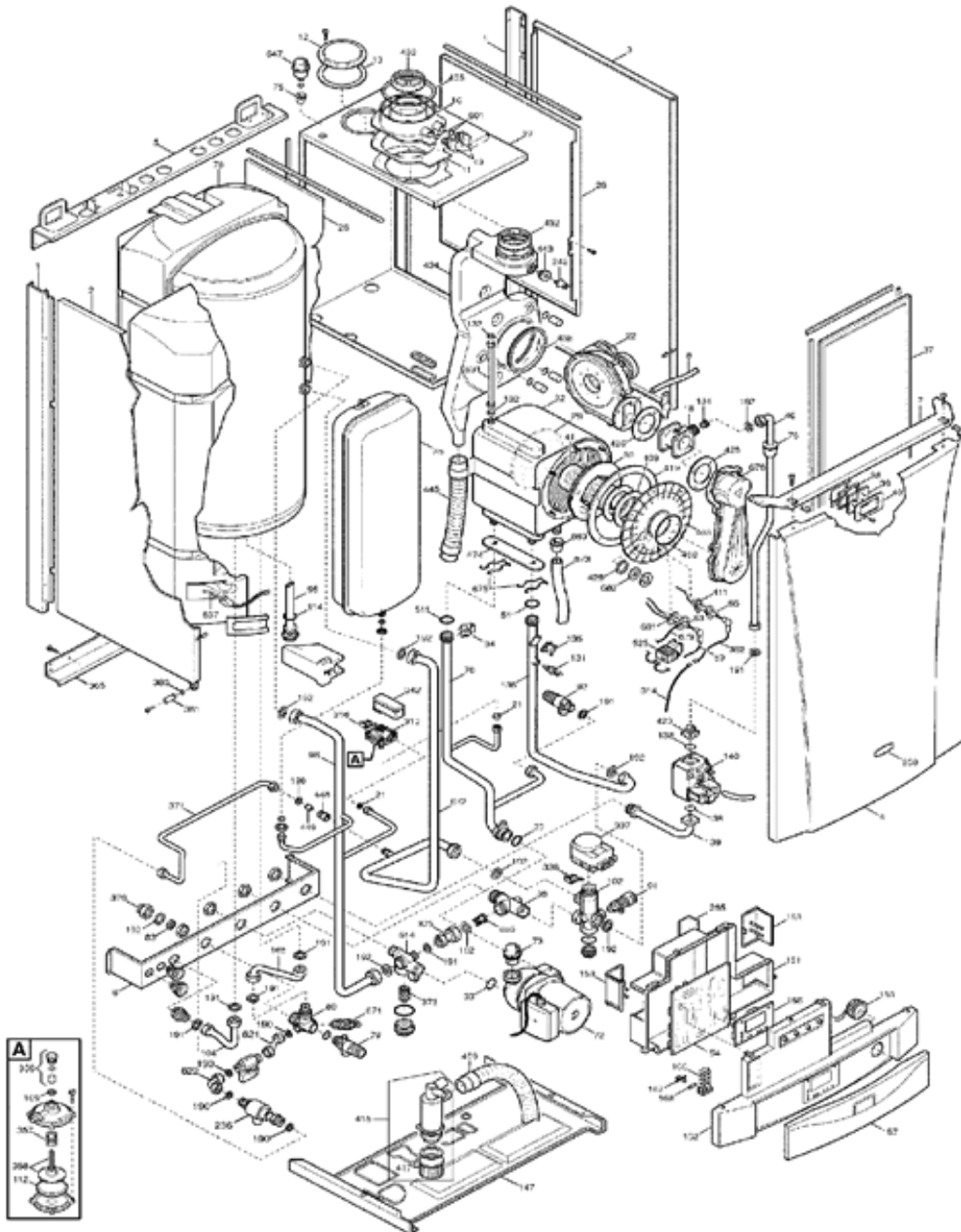
N°1398

HPA437333090/1/2

LUNA 3.33 HTE

Tab 14

Tab 14



1

HPA437333090_1_2 LUNADUO 333HTE Tab14_VUE

