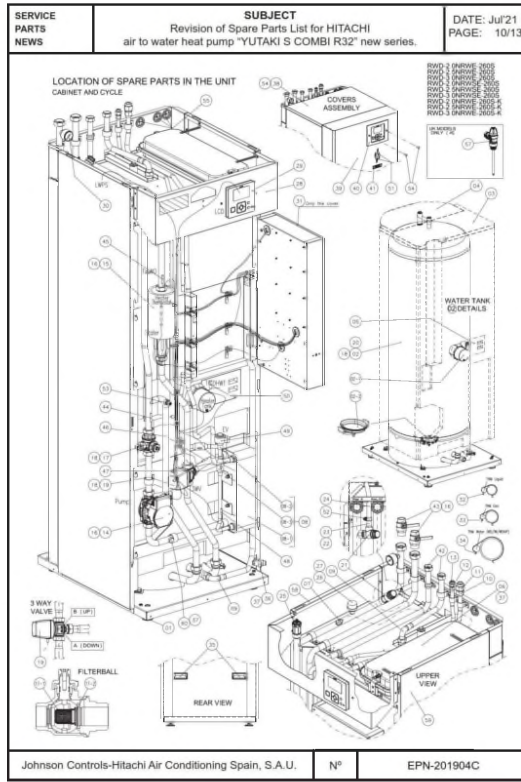


Pièces détachées

Main view



Rep.	Référence	Description	Qté	Remarques
------	-----------	-------------	-----	-----------

MODULE HYDRAULIQUE

RWD-2.0NRWE-260S-K

1	E04869	FOOT	4	
2	E04967	WATER TANK 260L	1	(Water Tank + Instruction Sheet)
2-1	E04088	TANK HEATER	1	(Tank Heater + Thermostat + O-Ring)
2-1	E06116	O-Ring	1	(Only O-Ring for Tank Heater sealing)
3	E04066	FRONT INSULATION	1	
4	E04067	BACK INSULATION	1	
5	E04068	TH INSULATION	1	
6	E04893	EXPANSION VESSEL (6L)	1	
7	E04048	FLEXIBLE PIPE	1	for Vessel connection.
8	E05007	PHEX UNIT	1	Assembly.
8-1	E04974	INVALID COUNTRY OF ORIGIN	1	
8-2	E05942	EXPANSION VALVE ASSY	1	(Exp.Valve + Pipes + Strainers + Silencer)
8-2	E03076	EXPANSION VALVE	1	
8-3	P25041	STRAINER	2	Before Serial N° 4PE61524
9	E04073	UNION	2	
10	E02488	UNION	1	Gas connection.
11	E02490	FLARE NUT	1	Gas connection.
12	E02935	THE CAP	1	Liquid connection.
13	E02936	FLARE NUT	1	Liquid connection.
14	E04894	CIRCULATEUR	1	
15	E06195	E-Heater Unit	1	
16	E03832	Gasket	8	for Pump, E-Heater and Shutdown Valves connections.
17	E04897	FILTER BALL	1	
17-1	E04898	FILTER	1	
17-2	E04899	SEEGER	1	
18	E02528	GASKET	7	for FilterBall, 3-Way Valve and Tank Coil connections.
19	E03271	3 WAY VALVE	1	
20	E04052	GASKET	2	for Tank Water In/Out connections.
21	E02475	SECURITY VALVE	1	
22	E04873	GASKET	1	for Union to Security Valve connection.
23	E02507	UNION	1	
24	E05428	DRAIN PIPE	1	
25	E04040	AIR PURGE	1	
26	E06306	PRESSURE SWITCH	1	
27	E05017	GASKET	1	for Pressure Switch connection.
28	E06197	Lcd Support	1	
29	E04960	REMOTE CONTROL AS	1	
30	E05014	MANOMETER	1	
31	E05021	E-BOX COVER ASSY	1	Plate + Labels
32	E02549	P-SPRING	1	
33	E02550	P-SPRING	1	
34	E01193	P-SPRING	3	
35	E01897	HANDLE	2	
36	E04069	MINI VALVE	1	
37	E02497	GASKET	3	for Mini Valve, Seal Nut and Vessel connections.
38	E05013	UPPER COVER	1	
39	E05012	SERVICE COVER ASSY	1	Assembly.
40	E04955	XEK12635 A - LCD FRAME	1	

MODULE HYDRAULIQUE

RWD-2.0NRWE-260S-K

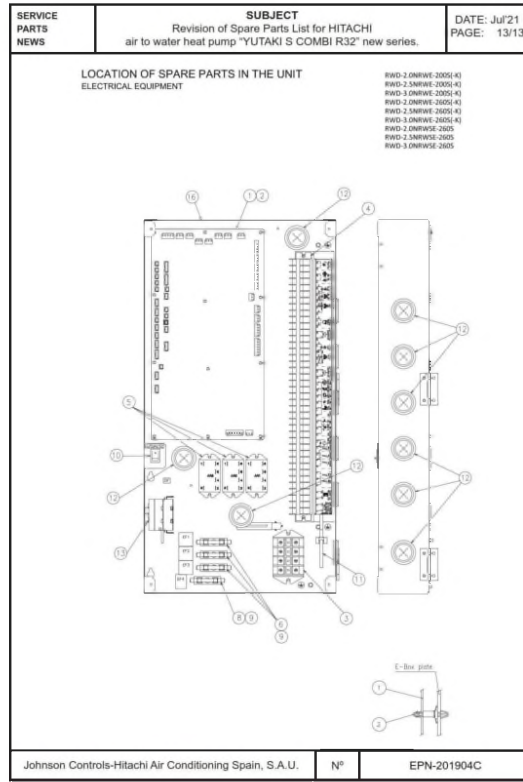
41	E04944	XEK39388 A - YUTAKI FRAME	1	
42	E04954	GASKET	2	for DHWT In/Out connections.
43	E05019	SHUTDOWN VALVE	2	
44	E04928	THERMISTOR ASSY 1	1	Water In THM.
45	E04929	THERMISTOR ASSY 1	1	Water Out THM.
46	E04981	THERMISTOR ASSY 1	1	Water Out PHEX THM.
47	E04982	THERMISTOR ASSY 2	1	Gas THM.
48	E04983	THERMISTOR ASSY 2	1	Liquid THM.
49	E04965	EXP. VALVE COIL	1	
50	E05020	THERMISTOR DHWT	1	Tank surface.
51	E04945	XEK12635 A - LCD FRAME	2	
52	E05026	CLAMP	1	
53	E05027	MANUAL AIR PURGE	1	
54	E02501	Screw	4	
55	E02060	RUBBER BUSH	3	
57	E06744	PRES. AND TEMP VALVE + PTE PIPE	1	Before Serial N° 4PE54628
57	E06743	PRESSURE AND TEMPERATURE VALVE	1	From Serial N° 4PE54628
58	E05058	SIDE COVER L	1	
59	E05059	SIDE COVER R	1	
60	E06198	Seal Nut	1	

MODULE HYDRAULIQUE

RWD-2.0NRWE-260S-K

Pièces détachées

Main view



Rep.	Référence	Description	Qté	Remarques
------	-----------	-------------	-----	-----------

MODULE HYDRAULIQUE

RWD-2.0NRWE-260S-K

1	E04665	INSTRUCTION ASSY PCB	1	
2	E01789	SPACER	12	
3	E02519	TERMINAL BOARD	1	
4	E04778	TERMINAL BOARD	1	
5	E04779	RELAY	3	
6	E04780	FUSE	3	6,3A
8	E04782	FUSE	1	20A
9	E04783	HARNESS LIFTER	4	
10	E04784	ENDLING SADDLE	1	
11	E02012	CLAMP	1	
12	E02060	RUBBER BUSH	9	
13	E04785	THERMOSTAT	1	
14	E06161	ELECTRICAL BOX	1	Assembly (Components + Harness)
16	E04791	E-BOX SUBASSY	1	Only plate (without components)