

# CASSETTE

## RCD-2.0FSN2

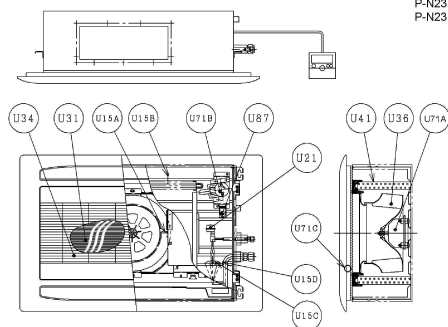
Pièces détachées

Main view

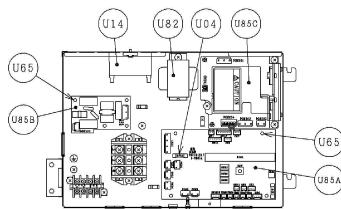
### LOCATION OF SPARE PARTS IN THE UNIT

Location of Spare Parts in The Air Panel (Optional)

MODEL: RCD-1.0FSN2  
 RCD-1.5FSN2  
 RCD-2.0FSN2  
 RCD-2.5FSN2  
 RCD-3.0FSN2  
 and  
 P-N23DNA  
 P-N23DWA



Location of Electrical Equipment in The Electrical Box



D-RCD-1.0FSN2-Z, D-RCD-1.5FSN2-Z, D-RCD-2.0FSN2-Z, D-RCD-2.5FSN2-Z, D-RCD-3.0FSN2-Z

- 8 -

Rep.	Référence	Description	Qté	Remarques
------	-----------	-------------	-----	-----------

# CASSETTE

## RCD-2.0FSN2

U04	P27957	FUSE	1	5A FOR CONTROL CIRCUIT
U14	P23345	CAPACITOR	1	4MF 440VAC
U15A	P22447	THERMISTOR	1	THM1 AIR INLET
U15B	P23317	THERMISTOR	1	THM2 AIR OUTLET
U15C	P22437	THERMISTOR	1	THM3 FREEZE PROTECTION
U15D	P28301	THERMISTOR	1	THM5 GAS
U21	P24990	EXPANSION VALVE	1	
U31	P23337	AIR FILTER	1	FOR AIR PANEL
U34	P28464	AIR GRILLE	1	FOR P- N23DNA ( WITH AIR FILTER)
U34	P23811	AIR GRILLE	1	FOR P- N23DWA ( WITH AIR FILTER)
U36	P23316	FAN RUNNER	1	
U41	P25118	HEAT EXCHANGER	1	
U65	P23408	SPACER	8	
U71A	P23287	MOTOR	1	FAN MOTOR 35W
U71B	P22780	MOTOR for Drain Discharge Mechanism	1	FOR DRAIN DISCHARGE MECHANISM
U71C	P27359	MOTOR	1	FOR AIR PANEL SWING MOTOR ASS' Y
U82	P23449	TRANSFORMER	1	
U85A	P27277	PCB	1	MAIN PCB
U85B	P26262	PCB	1	FOR NOISE PROTECTION
U85C	P23448	PRINTED CIRCUIT BOARD	1	PULSE WIDTH MODULATION
U87	P22428	FLOAT SW	1	