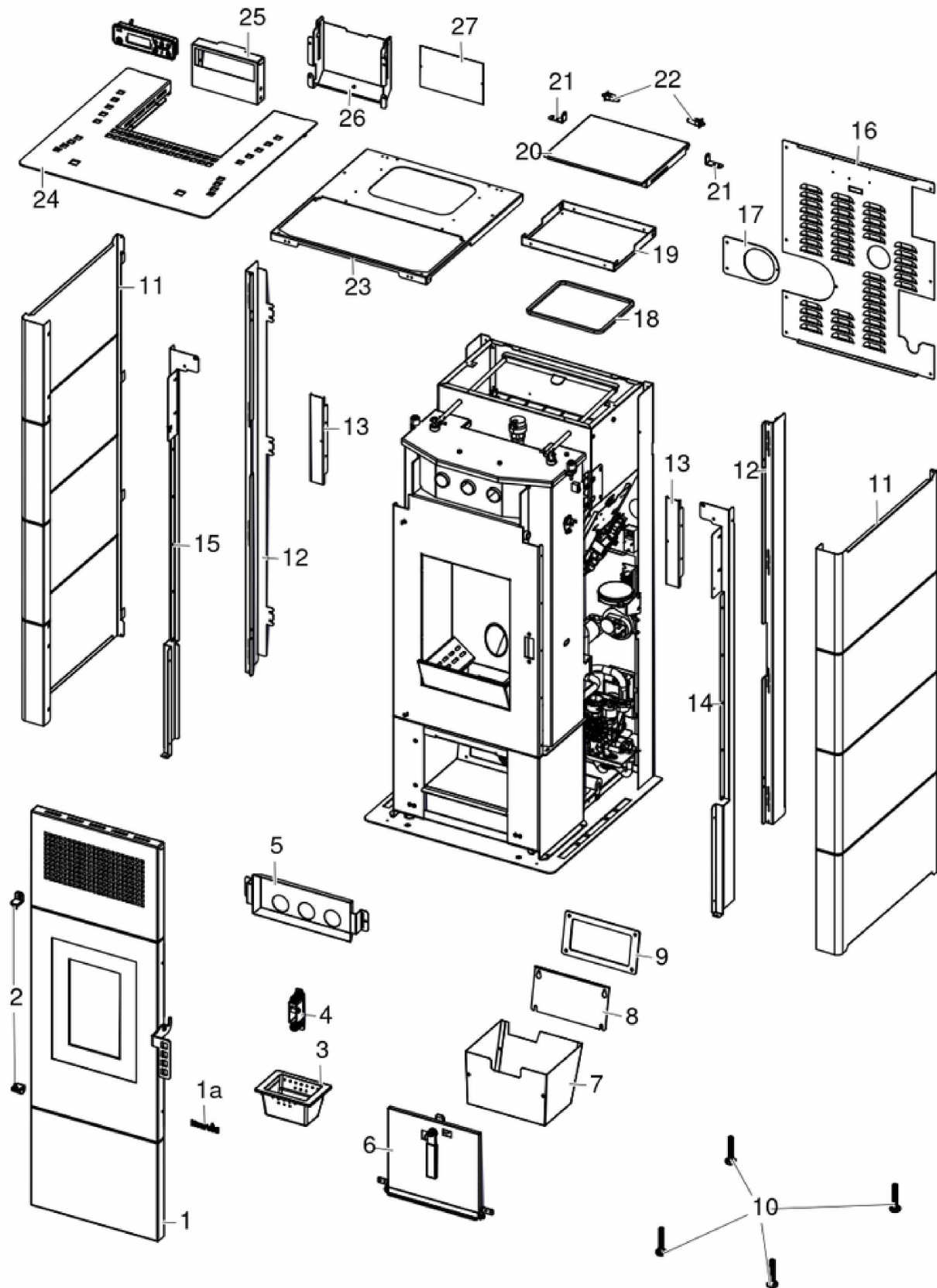


IDRON 16 AT

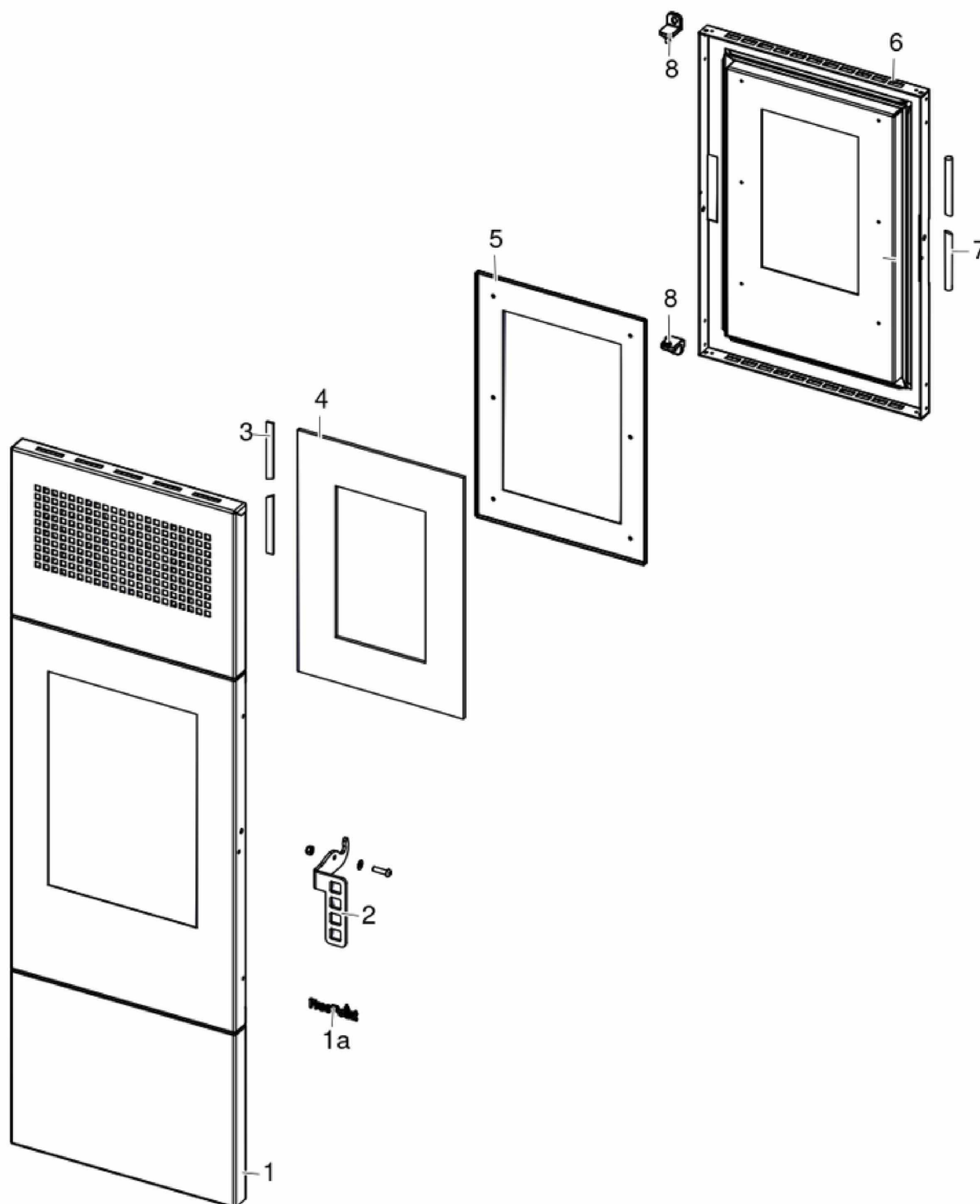
Gruppo estetico / Aesthetic group / Ästhetische Gruppe / Groupe esthétique / Grupo estético



N°	Codice/Code	Descrizioni / Description / Beschreibung / Description / Descripcion	Prezzo (€)
1	4D37016282	Porta completa / Complete door / Komplette Tür / Porte complète / Puerta completa	288.00
1a	4D18013009	Targhetta Freepoint / Freepoint plate / Freepoint blech / Plaque Freepoint / Placa Freepoint	24.00
2	412008063	Cerniere porta fuoco (2 pz) / Fire door hinge (2pcs) / Scharnier Feuertür (2 Stck) / Charnière porte foyer (2 pcs) / Bisagra puerta del hogar (2 pz)	27.00
3	41301602601V	Braciere ghisa / Cast iron grate / Brennertopf aus Gusseisen / Brasero en fonte / Brasero de arrabio	58.00
4	437016033	Gruppo chiusura porta focolare / Fire door closing group / Feuerraumtürschließgruppe / Groupe de fermeture de la porte du foyer / Grupo de cierre de la puerta del hogar	53.00
5	4D14117391300	Deflettore / Deflector / Leitblech / Déflecteur / Deflector	44.00
6	437016077	Porta cassetto cenere (2 pz) / Ash drawer door (2 pcs) / Tür des Aschenkastens (2 stck) / Porte tiroir à cendres (2 pcs) / Puerta cajón ceniza (2 pzs)	124.00
7	437016041	Cassetto cenere / Ash drawer / Aschekasten / Tiroir à cendres / Cajón cenizas	63.00
8	41401605530	Tappo camera fumi / Plug fumes chamber / Deckel Raumrauch / Bouchon chambre fumés / Tapón camara humos	20.00
9	41801601300	Guarnizione tappo camera fumi / Smoke compartment plug gasket / Dichtung Rauchabzugklappe / Joint clapet compartiment fumées / Junta tapón compartimento humos	19.00
10	41200906660	Piedini di appoggio (4 pz) / Support feet (4 pcs) / Einstellfüße (4 Stck) / Vérins d'appui (4 pcs) / Pies de apoyo (4 pz)	19.00
11	4D1411698830P	Profilo posteriore Dx-Sx / R.-L. Rear profile / Re.-Li. Hinteres Profil / D.-G. Profil postérieur / DCHO-IZDO Perfil trasero	55.00
12	4D14117392300	Profilo di compensazione Dx-Sx / Right-left compensation profile / Re.-Li. Profil füllen / Profil de compensation droite-gauche / Perfil de compensación derecha-izquierda	29.00
13	4D14117387300	Montante anteriore Dx / R. frontal vertical rod / Re. Vordere Montageleiste / Montant anterior D. / Montante anterior DCHO	55.00
14	4D14117388300	Montante anteriore Sx / L. frontal vertical rod / Li. Vordere Montageleiste / Montant anterior G. / Montante anterior IZDO	55.00
15	6917016	Rivestimento Bianco / White cladding / Verkleidung Weiss / Habillage blanc / Revestimiento blanco	0.00
15	6917017	Rivestimento Bordeaux / Bordeaux cladding / Verkleidung Bordeaux / Habillage Bordeaux / Revestimiento Bordeaux	0.00
15	6917018	Rivestimento Antracite / Anthracite cladding / Verkleidung Anthrazit / Habillage Anthracite / Revestimiento Antracita	0.00
16	4141161013300	Pannello posteriore nero / Black rear panel / Hintere schwarze Rückwand / Panneau postérieur noir / Panel trasero negro	83.00
17	41401629910	Supporto tubi fumi / Smoke pipe suport / Rauchrohr Halterung / Support tuyau fumées / Soporte tubo humos	11.00
18	4D18013016	Guarnizione 155X190 mm / Gasket 155X190 mm / Dichtung 155x190 mm / Joint 155X190 mm / Junta 155X190 mm	34.00
19	41411684830P	Contro coperchio / Cover stopper / Gegen Deckel / Contre couvercle / Contra tapa	0.00
20	4D14116850300	Coperchio serbatoio nero / Black hopper cover / Schwarze Deckel Pelletbehälter / Couvercle noir réservoir / Tapa negra depósito	49.00
21	4D1411685430P	Angolare supporto coperchio pellet / Angular pellet cover / Eckig Deckel / Angulaire couvercle Pellet / Angular tapa	19.00
22	4D14013054C	Cerniera a innesto (2 pz) / Hinge (2 pc) / Scharnier (2 Stck) / Charnière (2 pcs) / Bisagra (2 pzs)	28.00
23	41411686030V	Supporto / Support / Stütze / Support / Soporte	56.00
24	4D14117389400	Top nero / Black top / Schwarze Top / Top noir / Top negro	113.00
25	4D1411684930P	Supporto display / Display support / Halterung für Display / Support Affichage / Soporte del Monitor	33.00
26	4D14116853300	Supporto display / Display support / Halterung für Display / Support du display / Soporte de display	35.00
27	4D1401631310	Protezione del cavo display / Display cable protection / Display-Kabel Schützung / Protection câble display / Protección cable de display	19.00

IDRON 16 AT

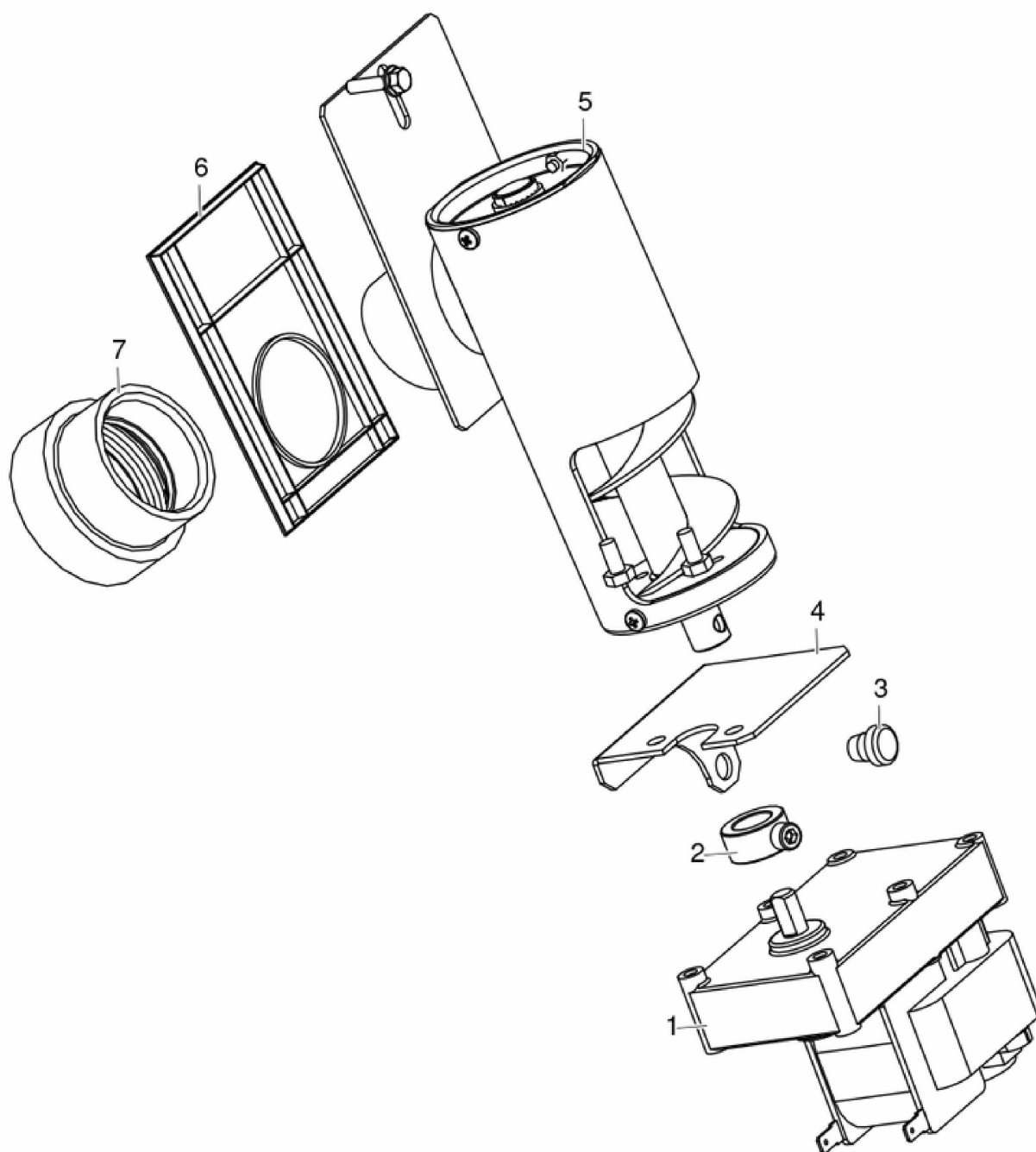
Porta fuoco / Fire door / Feuertür / Porte foyer / Puerta hogar



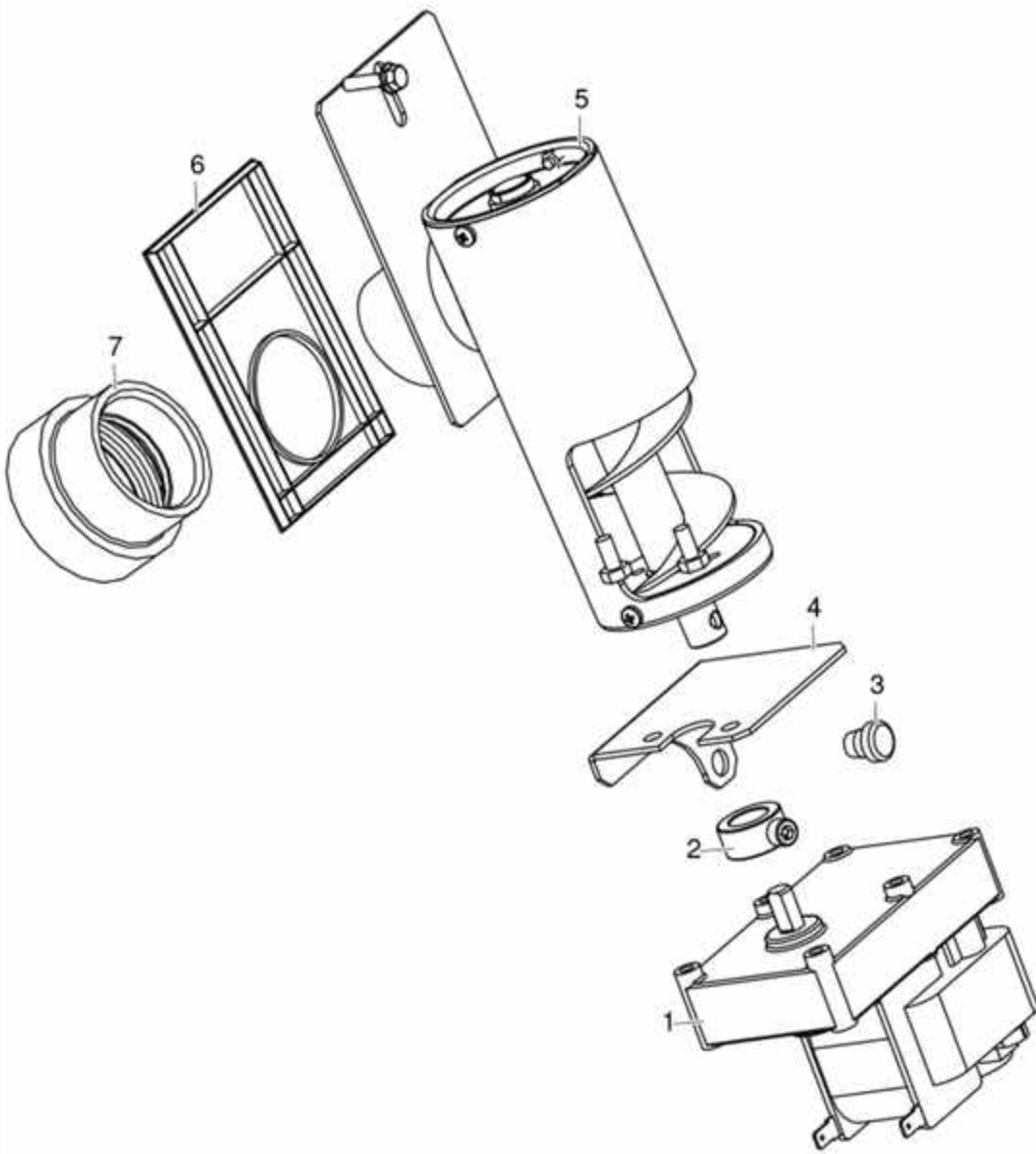
N°	Codice/Code	Descrizioni / Description / Beschreibung / Description / Descripción	Prezzo (€)
1	4D24017512364	Porta esterna / External door / Außentür / Porte extérieure / Puerta exterior	63.00
1a	4D18013009	Targhetta Freepoint / Freepoint plate / Freepoint blech / Plaque Freepoint / Placa Freepoint	24.00
2	4D1411694730V	Maniglia / Handle / Griff / Poignée / Tirador	0.00
3	4D18013008A	Guarnizione 10x3 (5m) / Gasket 10x3 (5m) / Dichtung 10x3 (5m) / Joint 10x3 (5m) / Junta 10x3 (5m)	35.00
3	4D18013008C	Guarnizione 10x3 (100m) / Gasket 10x3 (100m) / Dichtung 10x3 (100m) / Joint 10x3 (100m) / Junta 10x3 (100m)	287.00
4	4D1701700860	Vetroceramico 369x254x5 / Glass 369x254x5 / Glaskeramikscheibe 369x254x5 / Vitrocéramique 369x254x5 / Cristal cerámico 369x254x5	100.00
5	4D1401707930	Profilo fermavetro / Fastening bracket profile / Haltebügel für Scheibebefestigung Profil / Profil patte de fixation / Perfil fermacristal	31.00
6	4D1411728740V	Tamponazione porta / Door filler / Türstopfung / Plaque porte / Tapa puerta	121.00
7	4D18013021A	Guarnizione treccia nera D.10 - 5 M / Black twist gasket D.10 - 5 M / Dichtung D.10 - 5 M / Joint tresse noire D.10 - 5 M / Junta D.10 - 5 M	33.00
7	4D18013021B	Guarnizione treccia nera D.10 - 50 M / Black twist gasket D.10 - 50 M / Dichtung D.10 - 50 M / Joint tresse noire D.10 - 50 M / Junta D.10 - 50 M	144.00
8	412008063	Cerniere porta fuoco (2 pz) / Fire door hinge (2pcs) / Scharnier Feuertür (2 Stck) / Charnière porte foyer (2 pcs) / Bisagra puerta del hogar (2 pz)	27.00

IDRON 16 AT

Gruppo caricamento pellet acciaio / Pellet feed group in steel / Pellet Fördergruppe aus Stahl / Groupe de chargement pellet en acier / Grupo de carga pellet acero

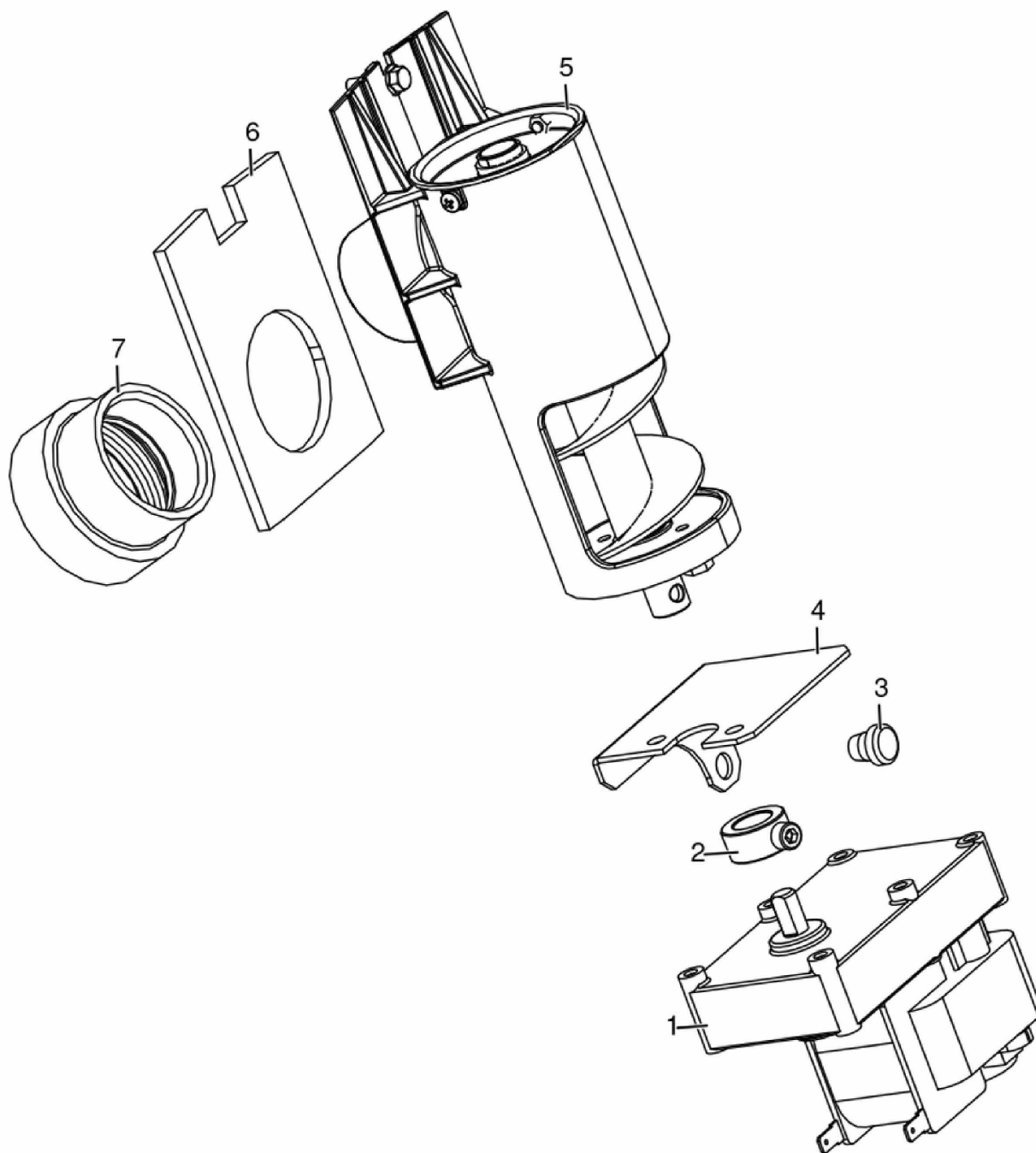


N°	Codice/Code	Descrizioni / Description / Beschreibung / Description / Descripción	Prezzo (€)
1	41450901600	Motoriduttore 3,3 rpm Merkle Korff / Reduction motor 3,3 rpm Merkle Korff / Getriebemotor 3,3 RPM MERKLE KORFF / Motoréducteur 3,3 RPM MERKLE KORFF / Motorreductor 3,3 rpm Merkle Korff	114.00
2	4120398	Connettore motoriduttore-coclea / Reduction motor-feed screw connector / Verbindung Getriebemotor-Schnecke / Connecteur motoréducteur-vis sans fin / Conector motorreductor-cóclea	22.00
3	4120180	Gommino paracolpi (4PZ) / Rubber bumpers (4 pcs.) / Schlagschutzgummi (4 Stck) / Pièces caoutchouc antichoc (4 pcs) / Cauchitos anti-golpes (4 pz)	21.00
4	41401606430	Staffa fermo motoriduttore / Reduction motor bracket stop / Getriebemotor Bügelstopper / Butée étrier motoréducteur / Tope zuncho motorreductor	21.00
5	41411800151	Coclea caricamento pellet / Pellet feed screw / Pellet Förderschnecke / Vis sans fin pour chargement du pellet / Cóclea de carga pellet	115.00
6	41802000300	Guarnizione con ceramica gruppo alimentazione / Gasket with ceramic - power supply group / Dichtung mit Keramik - Stromversorgungsgruppe / Joint avec céramique - groupe d'alimentation / Junta con cerámica - grupo de alimentación	15.00
6	41801600400	Guarnizione gruppo caricamento / Loading group gasket / Fördergruppe Dichtung / Joint groupe de chargement / Junta por grupo de carga	20.00
7	41801702600	Disaccoppiatore coclea / Feed screw gasket / Dichtung Pelletrutsche / Joint vis sans fin / Desacoplador cóclea	18.00



IDRON 16 AT

Gruppo caricamento pellet alluminio / Pellet feed group aluminium / Pellet Fördergruppe Aluminium / Groupe de chargement pellet aluminium / Grupo de carga pellet aluminio

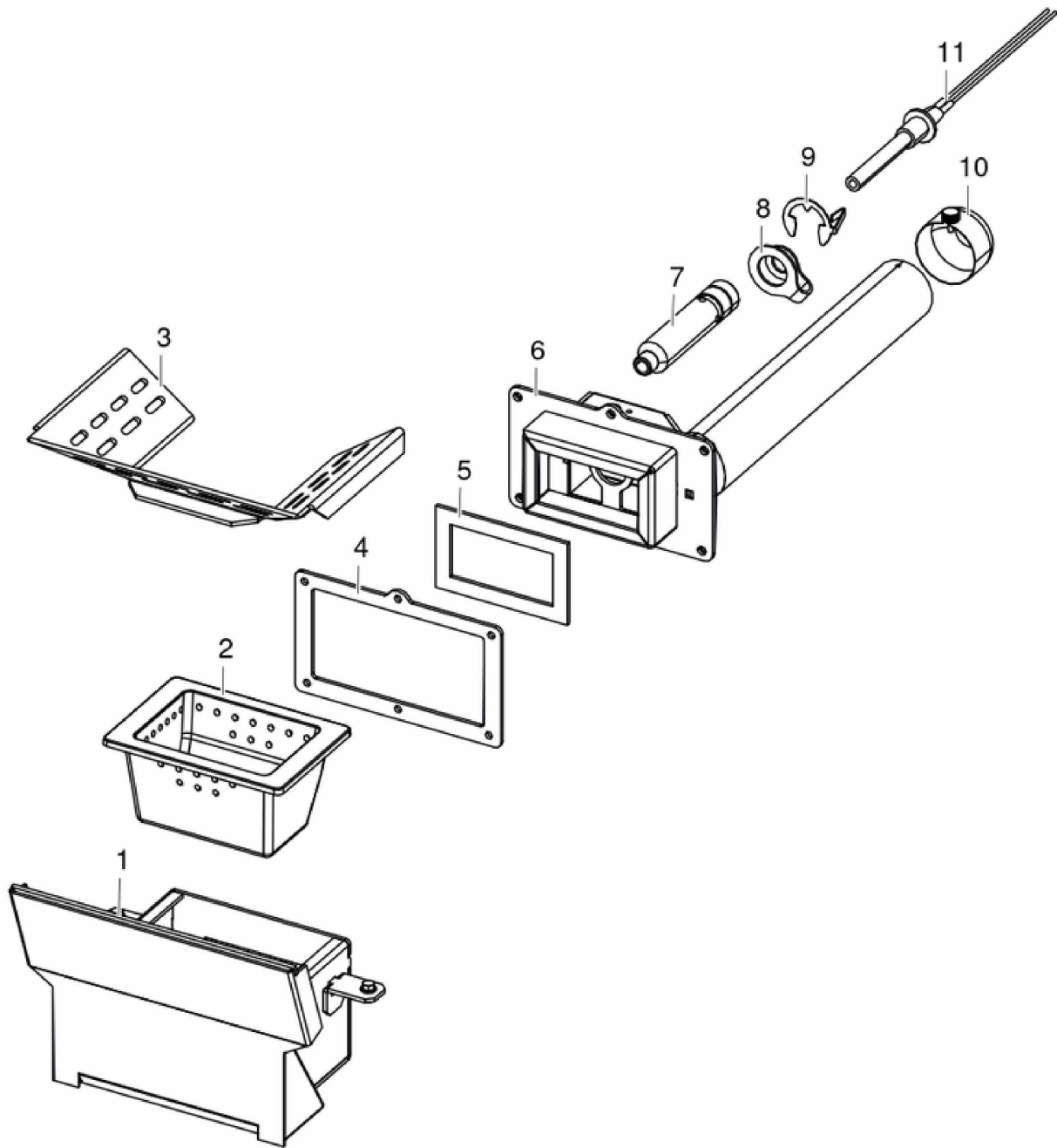


N°	Codice/Code	Descrizioni / Description / Beschreibung / Description / Descripcion	Prezzo (€)
1	41450901600	Motoriduttore 3,3 rpm Merkle Korff / Reduction motor 3,3 rpm Merkle Korff / Getriebemotor 3,3 RPM MERKLE KORFF / Motoréducteur 3,3 RPM MERKLE KORFF / Motorreductor 3,3 rpm Merkle Korff	114.00
2	4120398	Connettore motoriduttore-coclea / Reduction motor-feed screw connector / Verbindung Getriebemotor-Schnecke / Connecteur motoréducteur-vis sans fin / Conector motorreductor-cóclea	22.00
3	4120180	Gommino paracolpi (4PZ) / Rubber bumpers (4 pcs.) / Schlagschutzgummi (4 Stck) / Pièces caoutchouc antichoc (4 pcs) / Cauchitos anti-golpes (4 pz)	21.00
4	41401606430	Staffa fermo motoriduttore / Reduction motor bracket stop / Getriebemotor Bügelstopper / Butée étrier motoréducteur / Tope zuncho motorreductor	21.00
5	41402002050	Gruppo alimentazione completo / Complete feed screw / Komplette Förderschnecke / Vis sans fin complète / Coclea de carga completa	99.00

6	41802000300	Guarnizione con ceramica gruppo alimentazione / Gasket with ceramic - power supply group / Dichtung mit Keramik - Stromversorgungsgruppe / Joint avec céramique - groupe d'alimentation / Junta con cerámica - grupo de alimentación	15.00
7	41801702600	Disaccoppiatore coclea / Feed screw gasket / Dichtung Pellettrutsche / Joint vis sans fin / Desacoplador cóclea	18.00

IDRON 16 AT

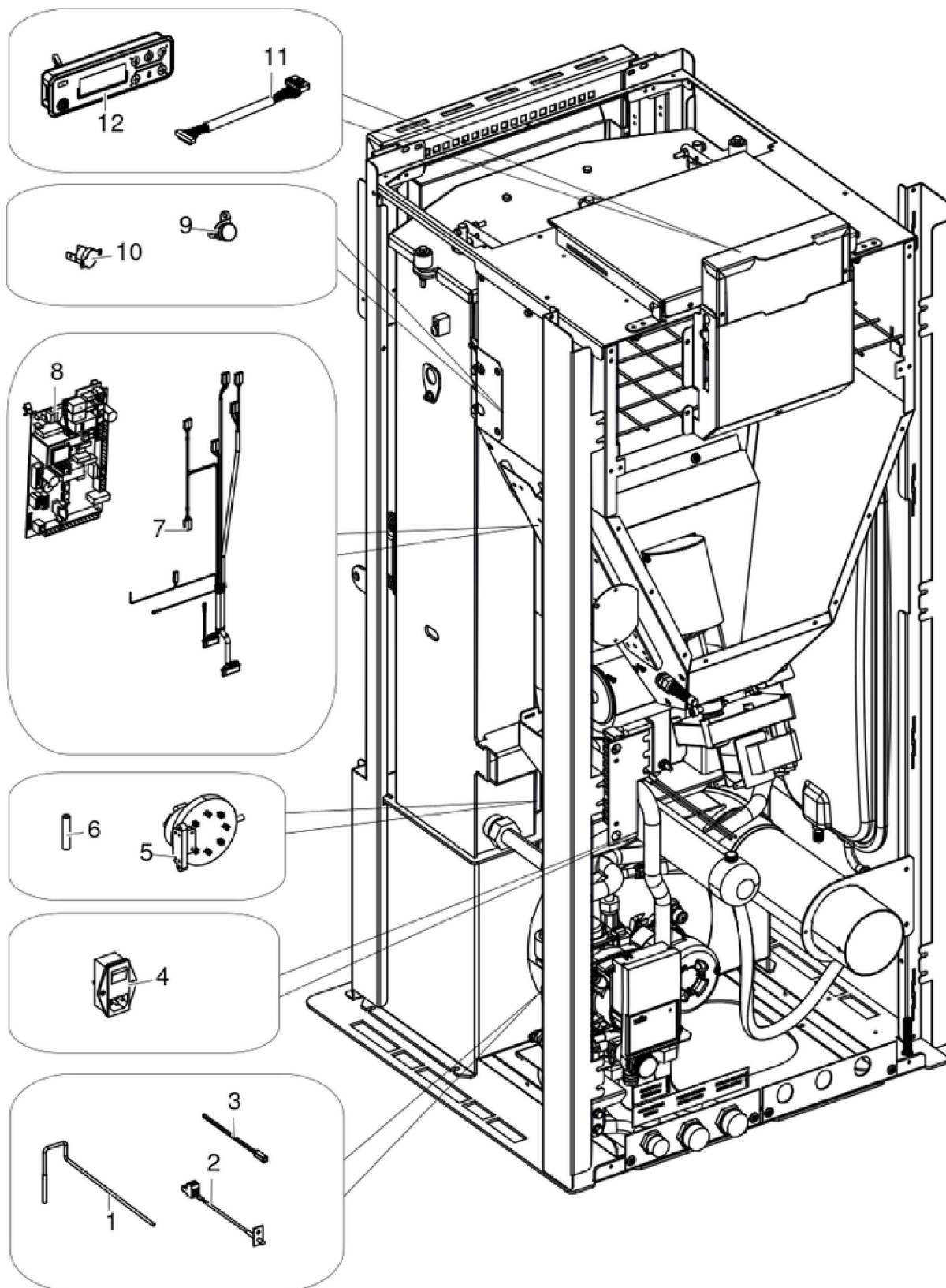
Gruppo accensione / Ignition group / Entzündung Gruppe / Groupe d'allumage / Grupo ignición



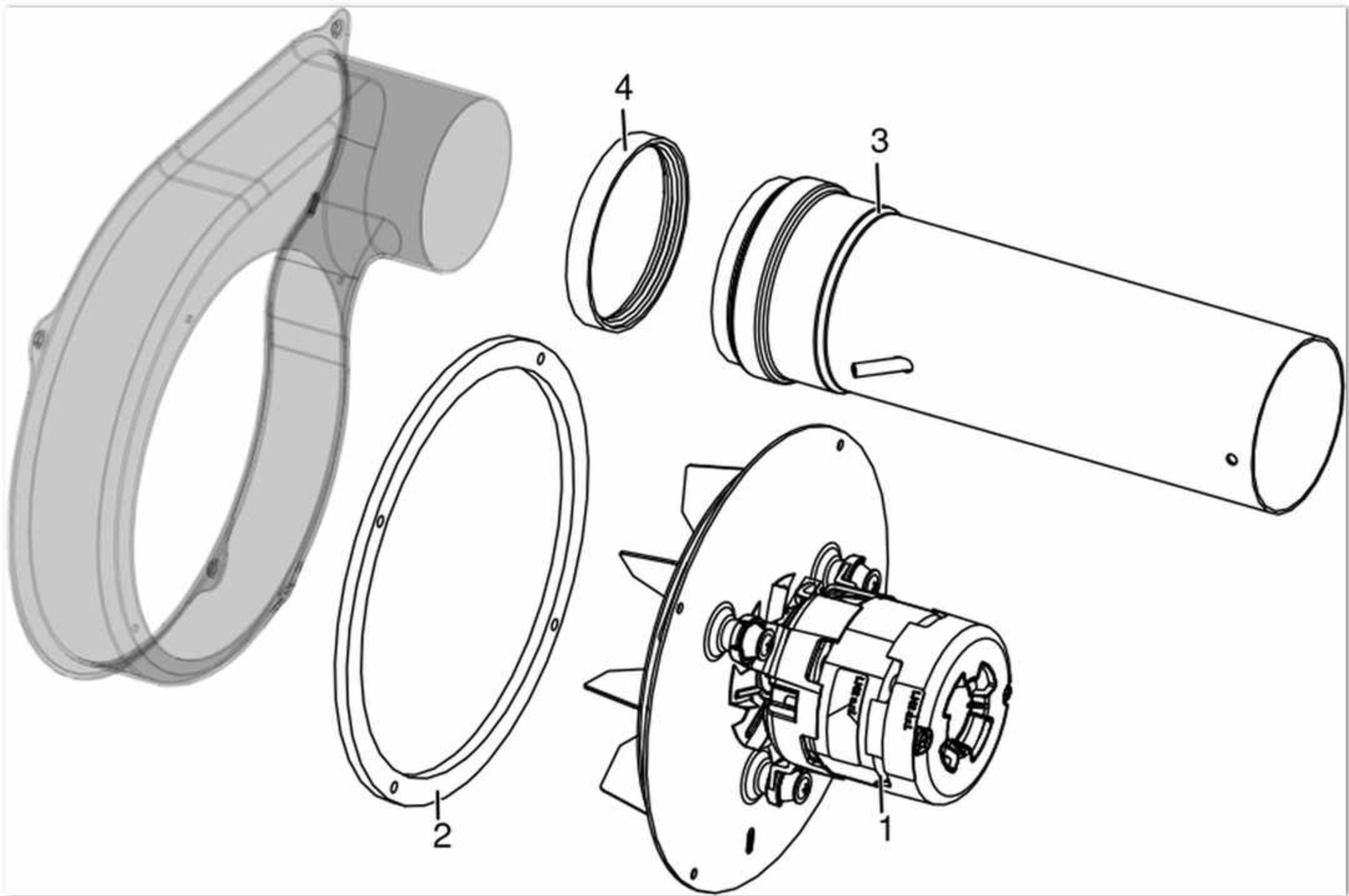
N°	Codice/Code	Descrizioni / Description / Beschreibung / Description / Descripción	Prezzo (€)
1	41411682441V	Tasca braciere / Grate poket / Brennertopf Tasche / Poche brasero / Bolsillo brasero	192.00
2	41301602601V	Braciere ghisa / Cast iron grate / Brennertopf aus Gusseisen / Brasero en fonte / Brasero de arrabio	58.00
3	41411696230V	Griglia focolare / Hearth grate / Herd-Gitter / Grille de foyer / Rejilla de hogar	59.00
4	418008027	Guarnizione / Gasket / Dichtung / Joint / Junta	22.00
5	41801605800	Guarnizione tasca braciere / Combustion pot container gasket / Brenntopfkasten Dichtung / Joint récipient brasero / Junta contenidor brasero	25.00
6	41421608341V	Scatola aria comburente base / Combustion air box / Verbrennungsluft Kasten / Boîte air de combustion / Caja aire de combustión	79.00
7	41601800300	Condotto candelella hydro / Hydro sparkplug duct / Hydro Zündkerzenkanal / Conduit bougie hydro / Conducto bujía hydro	39.00
8	41801604300	Guarnizione condotto candelella / Sparkplug conduit gasket / Dichtung Zündkerzenkanal / Joint conduit bougie / Junta conducto bujía	19.00
9	41201601500	Anello arresto candelella / Sparkplug stop / Zündkerzestopper / Butée bougie / Tope bujía	24.00
10	41401036100	Filtro aria comburente / Anti-dust filter / Staubschutzfilter / Filtre antipoussière / Filtro de protección polvo	21.00
11	41451308101	Cartuccia ceramica / Sparkplug / Keramik Zündkerze / Bougie ceramique / Bujía	77.00

IDRON 16 AT

Gruppo elettrico ed elettronico / Electrical and electronic group / Elektrische und elektronische Gruppe /
Groupe électrique et électronique / Grupo eléctrico y electrónico

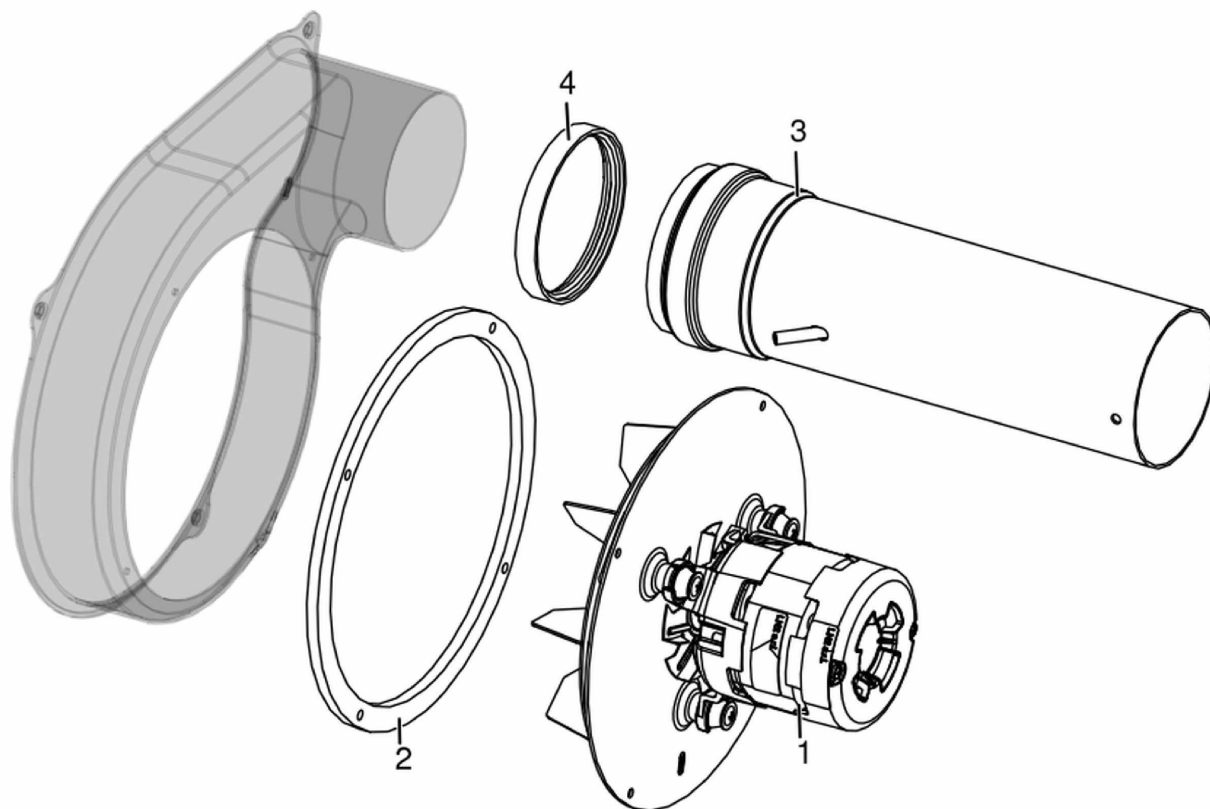


N°	Codice/Code	Descrizioni / Description / Beschreibung / Description / Descripcion	Prezzo (€)
1	4012062	Sonda NTC a filo per acqua / Water NTC temperature sensor / Wassertemperaturfühler NTC / Sonde température eau NTC / Sonda temperatura agua NTC	22.00
2	41451002300	Sonda fumi / Smoke sensore / Rauchgassonde / Sonde fumées / Sonda humos	31.00
3	4160240	Sonda temperatura ambiente / Room temperature sensor / Raumtemperaturfühler / Sonde température ambiance / Sonda temperatura aire	20.00
4	4160193	Pulsante accensione / On/Off button / Zündungstaste / Touche d'allumage / Botón encendido	28.00
5	4160482	Pressostato 0,4 mbar / Pressure gauge 0,4 mbar / Druckwächter 0,4 mbar / Pressostat 0,4 mbar / Presostato 0,4 mbar	38.00
6	4120631A	Tubicino siliconico - 5m / Silicon tube - 5m / Silikonrohr - 5m / Petit tuyau en silicone - 5m / Tubo silicónico - 5m	22.00
7	41451604300	Cablaggio elettrico base / Electrical wiring / Elektrische Verkabelung / Câblage électrique / Cableado eléctrico	84.00
8	41451200500	Scheda madre completa MICRONOVA / Complete mother board MICRONOVA / Komplette Hauptplatine MICRONOVA / Carte mère complete MICRONOVA / Tarjeta madre completa MICRONOVA	239.00
9	412007004	Clickson 110°C / Clickson 110°C / Clickson 110°C / Clickson 110°C / Clickson 110°C	20.00
10	41450901100	Clickson 95°C / Clickson 95°C / Clickson 95°C / Clickson 95°C / Clickson 95°C	20.00
11	41451201900	Cavo Flat L 1,4 M / Flat cable L 1,4 M / Flat Kable L 1,4 M / Câble Flat L 1,4 M / Cable Flat L 1,4 M	21.00
12	4D1451303300	Pannello comandi grafico / Graphic control panel / Graphische Bedienblende / Tableau de commande / Panel de mandos gráfico	138.00

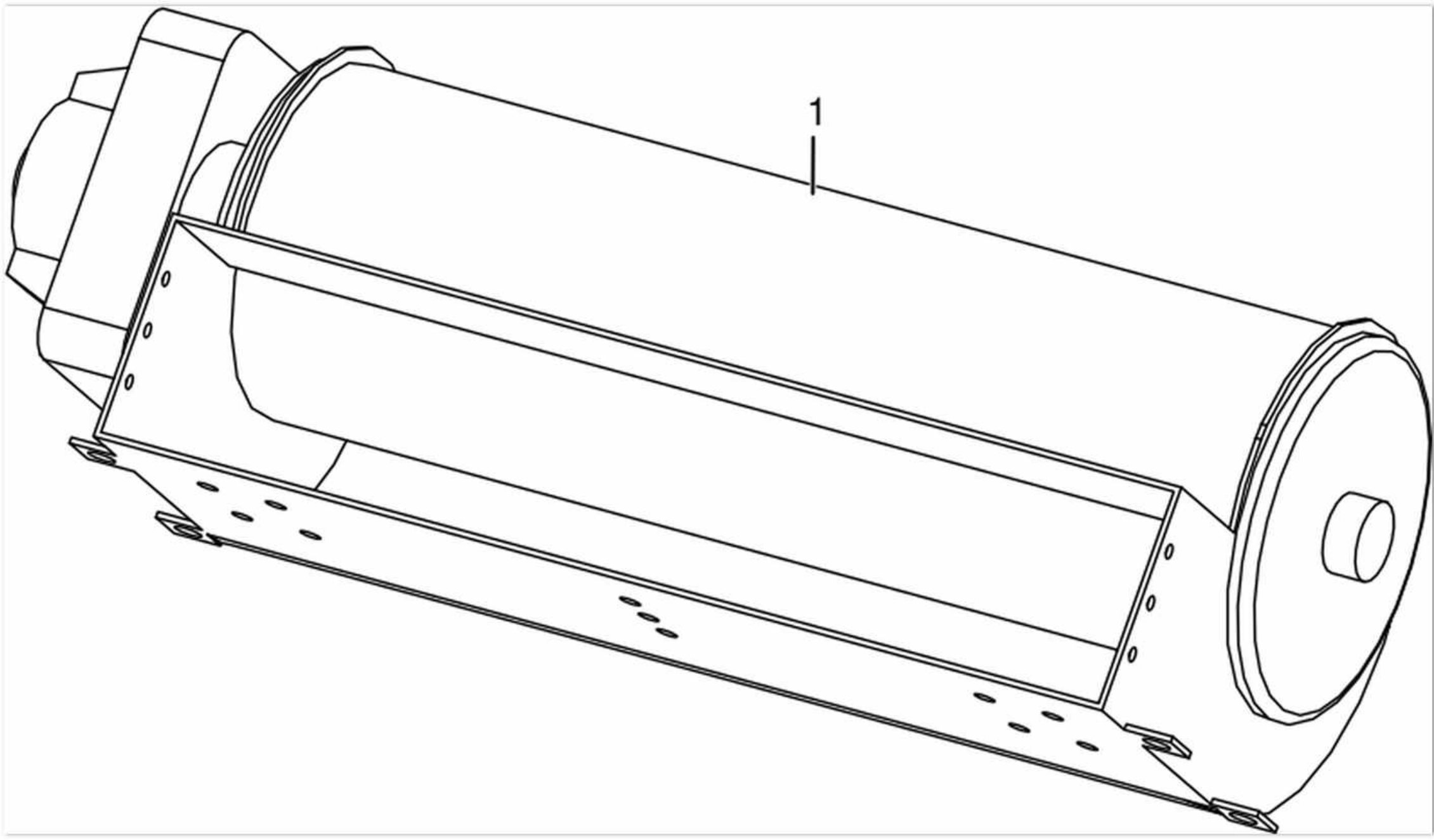


IDRON 16 AT

Gruppo fumi / Smoke group / Rauchgruppe / Groupe fumées / Grupo de humos

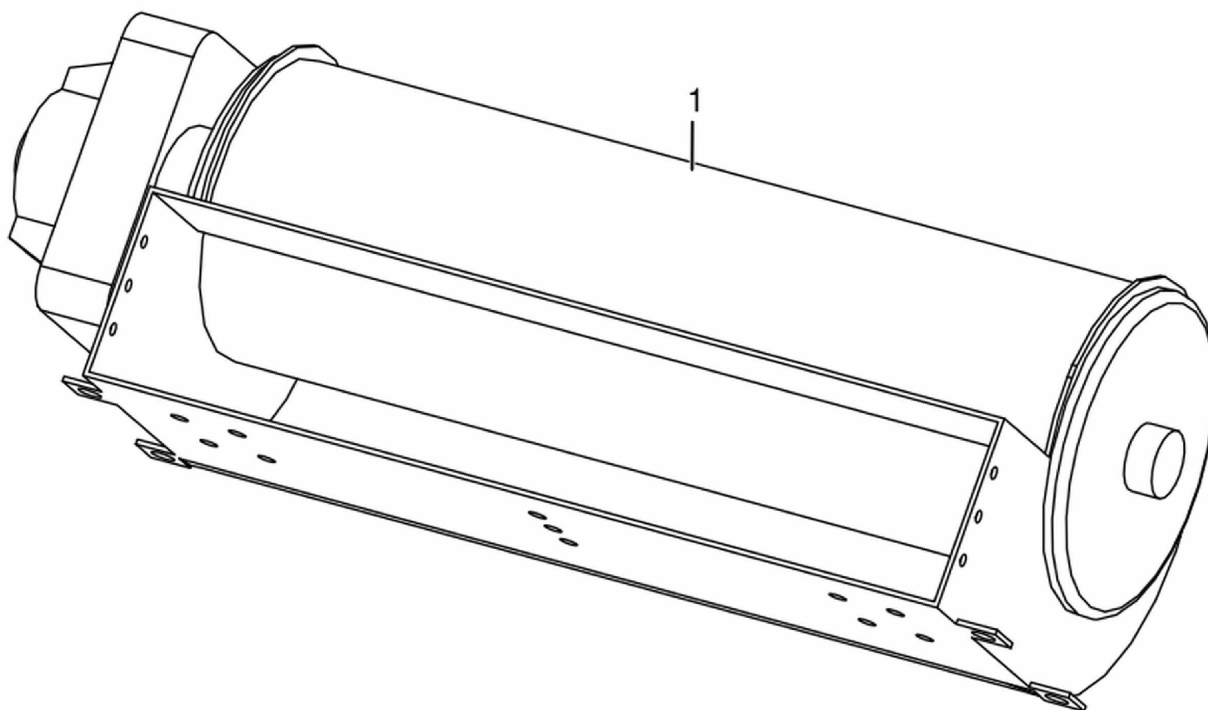


N°	Codice/Code	Descrizioni / Description / Beschreibung / Description / Descripción	Prezzo (€)
1	41451600100	Ventilatore fumi / Smokefan / Rauchgasgebläse / Ventilateur fumées / Ventilador humos	210.00
2	41801301500	Guarnizione adesiva SP 6 D210 / Adhesive Gasket SP 6 D210 / Haftenddichtung SP 6 D210 / Joint Adhesive SP 6 D210 / Junta Adhesiva SP 6 D210	20.00
3	41601601160	Tubo fumi a innesto / Plug-in flue pipe / Plug-in Rauchrohr / Conduit de cheminée enfichable / Tubo de humos enchufable	35.00
4	40120969	Guarnizione siliconica Ø 8 / Silicon gasket Ø 8 / Silikonsichtung Ø 8 / Join en silicon Ø 8 / Junta de silicona Ø 8	19.00



IDRON 16 AT

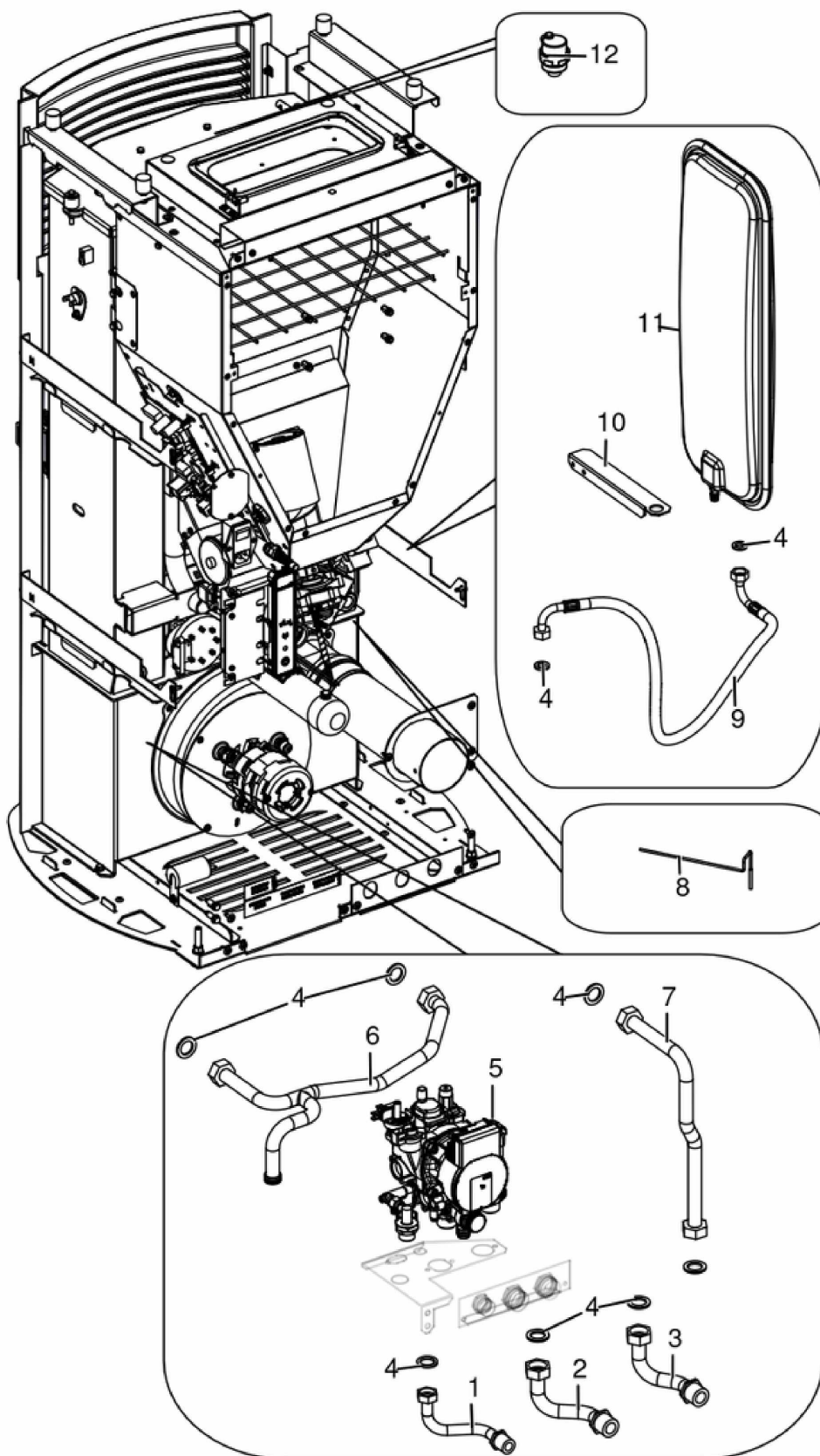
Gruppo ventilazione / Ventilation group / Lüftungsgruppe / Groupe de ventilation / Grupo de ventilación



N°	Codice/Code	Descrizioni / Description / Beschreibung / Description / Descripción	Prezzo (€)
1	41451000300	Ventilatore scambiatore aria calda / Hot air exchanger fan / Wärmeluftgebläse / Ventilateur échangeur air chaud / Ventilador intercambiador aire caliente	55.00

IDRON 16 AT

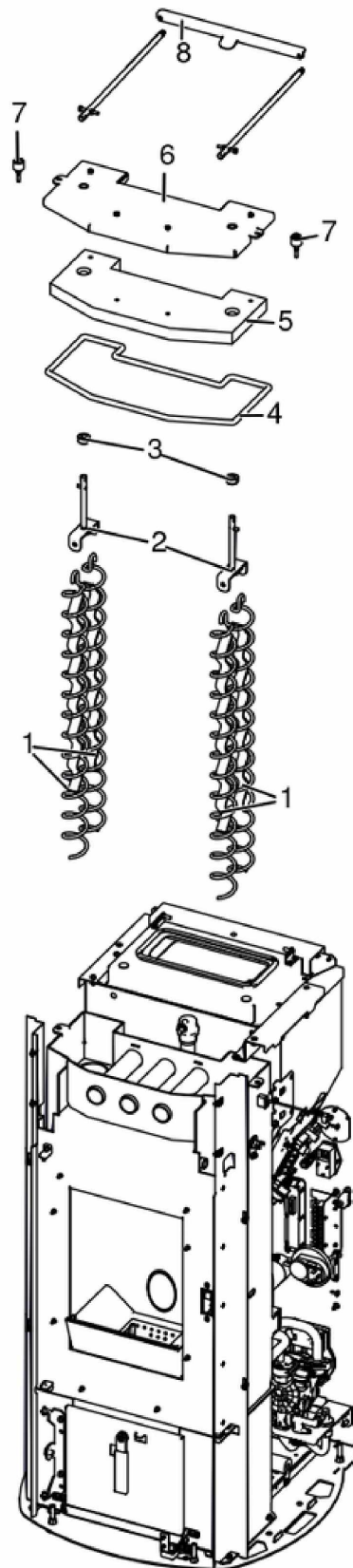
Gruppo componenti idraulici / Hydraulic components group / Hydraulische Komponenten / Groupe de composants hydrauliques / Grupo de componentes hidráulicos



N°	Codice/Code	Descrizioni / Description / Beschreibung / Description / Descripción	Prezzo (€)
1	41501600400	Tubo di carico caldaia / Boiler loading tube / Rohr für Kesseleinfüllung / Tuyau de chargement chaudière / Tubo de carga caldera	35.00
2	41501600500	Tubo ritorno impianto / Return tube / Rücklaufrohr / Tuyau retour / Tubo de regreso	38.00
3	41501600700	Raccordo mandata impianto / Delivery tube connection / Vorlaufrohr Verbindung / Raccord tuyau refoulement / Raccor tubo de envío	38.00
4	41207910	Kit guarnizioni impianto idraulico / Hydraulic system gasket kit / Dichtungsbausatz für Hydraulikanlage / Kit de joints pour l'installation hydraulique / Kit de juntas de la instalación de fontanería	34.00
5	41501600251	Gruppo idraulico / Hydraulic unit / Hydraulikeinheit / Unité hydraulique / Unidad hidráulica	327.00
5	41502002100	Circolatore Wilo Para 7 IPWM / Water circulation pump Wilo Para 7 IPWM / Umwälzpumpe Wilo Para 7 IPWM / Pompe de circulation Wilo Para 7 IPWM / Bomba de circulación agua Wilo Para 7 IPWM	320.00
5	41502000200	Valvola by pass / By pass valve / Ventile By Pass / Soupape By Pass / Válvula by pass	16.00
5	41501103300	Valvola di sicurezza 3 bar / Maximum pressure valve 3 Bar / Sicherheitsventil 3 Bar / Soupape de pression maximale 3 Bar / Válvula máxima presión 3 Bar	32.00
5	41451108000	Pressostato H2O di minima / Pressur switch H2O / Druckwächter H2O / Pressostat H2O / Presostato H2O	31.00
6	41501600300	Tubo circolazione caldaia / Boiler circulation tube / Rohr für Kesselumwälzung / Tuyau de circulation chaudière / Tubo de circulación caldera	58.00
7	41501600600	Tubo mandata impianto / Delivery tube / Vorlaufrohr / Tuyau refoulement / Tubo de envío	44.00
8	4012062	Sonda NTC a filo per acqua / Water NTC temperature sensor / Wassertemperaturfühler NTC / Sonde température eau NTC / Sonda temperatura agua NTC	22.00
9	41501601000	Tubo FLE. DN 10 / Flexible tube DN. 10 / Flexibles Rohr DN. 10 / Tuyau flexible DN. 10 / Tubo flexible DN. 10	29.00
10	41401606930	Supporto vaso espansione / Expansion vessel support / Halterung Expansionsgefäß / Support vase d'expansion / Soporte vaso de expansión	17.00
11	4120775	Vaso espansione (6 l) / Expansion vessel (6 l) / Expansionsgefäß (6 l) / Vase d'expansion (6 l) / Vaso de expansión (6 l)	75.00
12	4120779	Valvola di sfiato / Vent valve / Entlüftungsventil / Soupape de dégagement / Válvula respiradero	26.00

IDRON 16 AT

Gruppo scambiatore / Exchanger group / Austausch Baugruppe / Groupe échangeur / Grupo intercambiador



N°	Codice/Code	Descrizioni / Description / Beschreibung / Description / Descripcion	Prezzo (€)
1	41400914540	Eliche raschiatore (1 pz.) / Turbulator props (1 pc.) / Propeller des Schabers (1 Teil) / Hélices turbulateur (1 pz.) / Hélice rascador (1 pz.)	41.00
2	41401129341	Staffa sostegno raschiatore Inox / Inox turbulator support bar / Haltebügel des Schabers aus Inox / Etrier support turbulateur en Inox / Zuncho apoyo rascador de Inox	28.00
3	41200903300	Trascinatore turbolatori (2 pz.) / Turbolator props puller (2 PC.) / Reinigungsspiralenmitnehmer (2 STCK). / Meneur de turbolateur (2 Pc.) / Arreatador hélice rascador (2 pz).	25.00
4	41801603200A	Treccia Ø10(5mt) / Braid Ø10(5mt) / Zopf Ø10(5mt) / Tresse Ø10(5mt) / Trenza Ø10(5mt)	58.00
5	41151600100	Pannello vermiculite coperchio / Vermiculite cover / Deckel aus Vermiculite / Couvercle en vermiculite / Tapa en vermiculite	33.00
6	41411608940V	Coperchio struttura caldaia nero / Boiler black cover / Schwarz Kelleldeckel / Couvercle noir chaudière / Tapa negra caldera	96.00
7	41801499550	Kit scarico sovrappressione camera di combustione (pz.2) / Pressure relief kit (Pcs.2) / Bausatz überdruckablauf brennkammer (Stck.2) / Kit decompression chambre combustion (Pcs.2) / Kit descompresion camara combustion (Pcs.2)	25.00
8	41401605430	Traversa leve movim. Turb. / Turbolator handling crossbeam / Turbolatorstange Träger / Traverse tige turbolateur / Traversa asta rascador	56.00