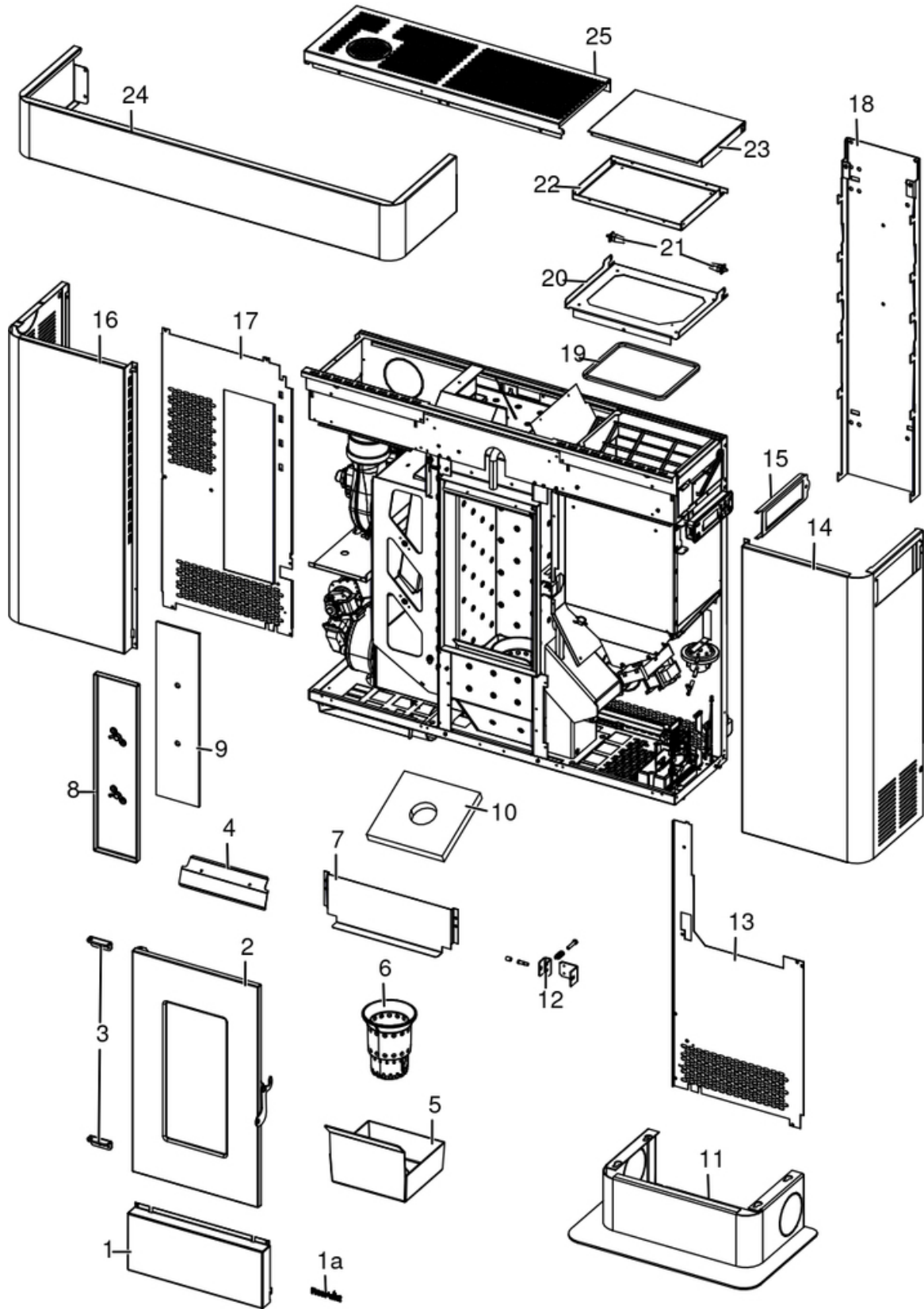


MOON AT WIFI - VERSION FROM 2020

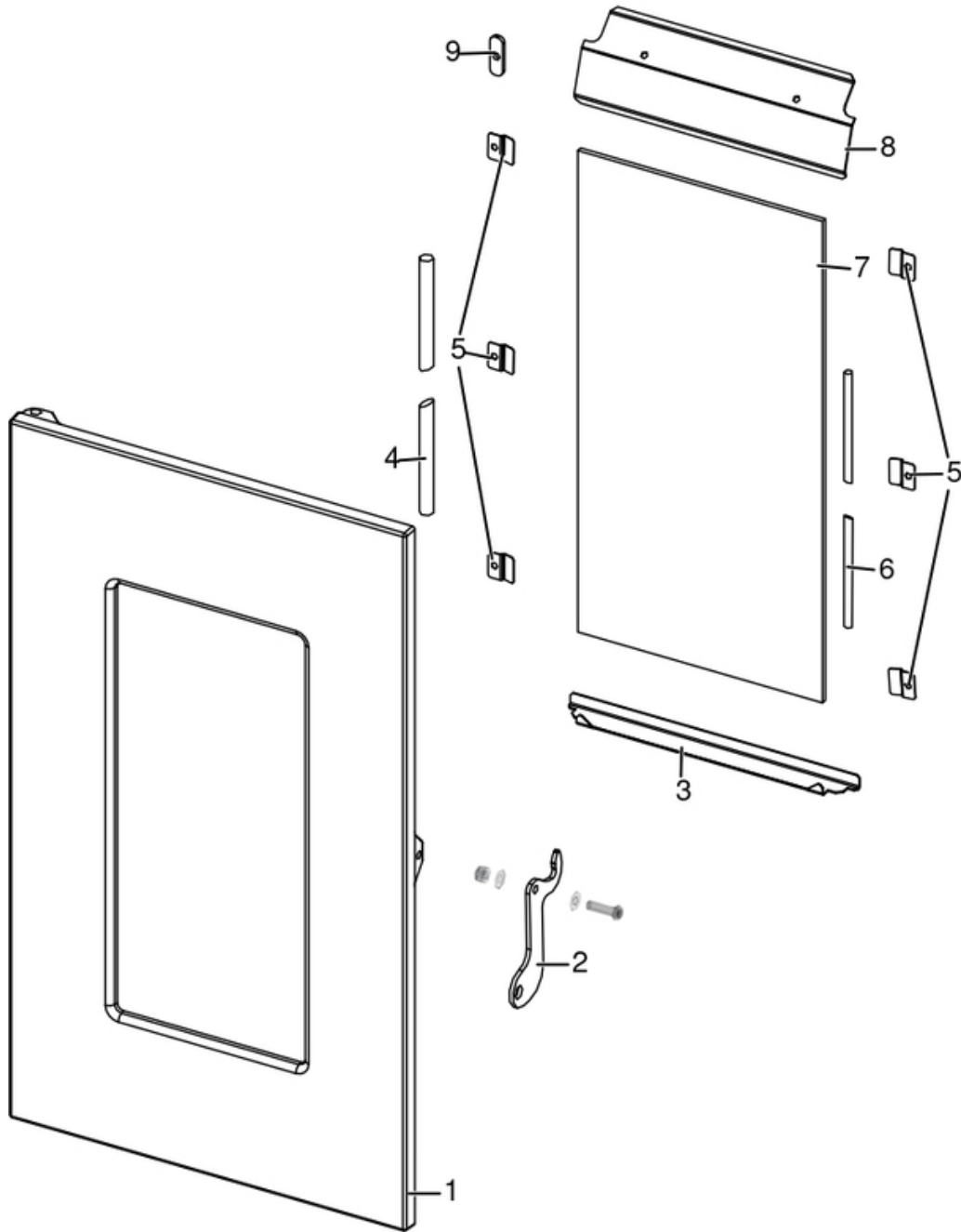
Gruppo estetico / Aesthetic group / Ästhetische Gruppe / Groupe esthétique / Grupo estético



N°	Codice/Code	Descrizioni / Description / Beschreibung / Description / Descripcion	Prezzo (€)
1	4D24017134363	Pannello inferiore / Lower panel / Paneel unten / Panneau inférieur / Panel inferior	36.00
1a	4D18013009	Targhetta Freepoint / Freepoint plate / Freepoint blech / Plaque Freepoint / Placa Freepoint	24.00
2	4D245GP17007	Porta / Door / Tür / Porte / Puerta	200.00
3	4D2401303720	Supporto porta nero / Black door support / Schwarzes Türhaltebügel / Support porte noir / Soporte puerta negro	21.00
4	4D242157093	Deflettore aria porta / Door air deflector / Luftleitblech Tür / Déflecteur air porte / Deflector aire puerta	29.00
5	4D24016639461	Cassetto cenere / Ash drawer / Aschenkasten / Tiroir à cendres / Cajón ceniza	91.00
6	4D13016601061	Crogiolo in ghisa / Cast iron crucible / Tiegel aus Gusseisen / Creuset en fonte / Crisol de arrabio	134.00
7	4D241140263	Frangicalore frontale / Front deflector / Vorderes Wärmeschutzfrontpaneel / Déflecteur de protection frontal / Deflector frontal	47.00
8	4D241166083	Tappo / Plug / Verschluss / Bouchon / Tapón	28.00
9	4D180166010	Guarnizione / Gasket / Dichtung / Joint / Burlete	31.00
10	4D11513001	Deflettore vermiculite 193X180,5X20 mm / Vermiculite deflector 193X180,5X20 mm / Leitblech aus Vermiculite 193X180,5X20 mm / Déflecteur en vermiculite 193X180,5X20 mm / Deflector en vermiculite 193X180,5X20 mm	41.00
11	4D24017114463	Base / Base / Basis / Socle / Base	123.00
12	4D24015841361	Kit decompressione camera di combustione / Pressure relief kit / Bausatz Überdruckablauf Brennkammer / Kit decompression chambre de combustion / Kit decompression cámara de combustión	32.00
13	4D24016635361	Carter finitura sx / Carter finishing L. / Carter Fertigbearbeitung L. / Finissage carter G. / Acabado Carter IZDA	52.00
14	4D24017130363	Pannello laterale dx / Lateral right panel / Rechte Paneel rechts / Panneau latérale droit / Panel lateral DCHA	117.00
15	4D24016615363	Supporto display / Display support / Stütze Steuerplatine / Support tableau de commande / Soporte pantalla	22.00
16	4D24017131363	Pannello laterale sx / Lateral left panel / Rechte Paneel links / Panneau latérale gauche / Panel lateral IZDA	109.00
17	4D24016635361	Carter finitura sx / Carter finishing L. / Carter Fertigbearbeitung L. / Finissage carter G. / Acabado Carter IZDA	52.00
18	4D241166013	Supporto muro / Wall support / Wand Stütze / Support mur / Soporte pared	67.00
19	4D18013016	Guarnizione 155X190 mm / Gasket 155X190 mm / Dichtung 155x190 mm / Joint 155X190 mm / Junta 155X190 mm	34.00
20	4D24016620363	Copertura serbatoio pellet / Pellet tank cover / Abdeckung des Pelletbehälters / Panneau couverture réservoir pellet / Cobertura depósito pellet	36.00
21	4D14013054C	Cerniera a innesto (2 pz) / Hinge (2 pc) / Scharnier (2 Stck) / Charnière (2 pcs) / Bisagra (2 pzs)	28.00
22	4D241157093	Supporto / Support / Haltebügel / Support / Soporte	45.00
23	4D24015740361	Coperchio serbatoio pellet / Pellet hopper cover / Deckel Pelletbehälter / Couvercle réservoir pellet / Tapadera depósito pellet	48.00
24	6918001	Rivestimento metallo Moka / Metal cladding Moka / Metallverkleidung Moka / Habillage metal Moka / Revestimiento metal Moka	90.00
24	6918002	Rivestimento metallo Titanium / Metal cladding Titanium / Metallverkleidung Titanium / Habillage metal Titanium / Revestimiento metal Titanium	90.00
24	6918003	Rivestimento metallo Bordeaux / Metal cladding Bordeaux / Metallverkleidung Bordeaux / Habillage metal Bordeaux / Revestimiento metal Bordeaux	90.00
25	4D24016622361	Coperchio / Cover / Deckel / Couvercle / Tapa	83.00

MOON AT WIFI - VERSION FROM 2020

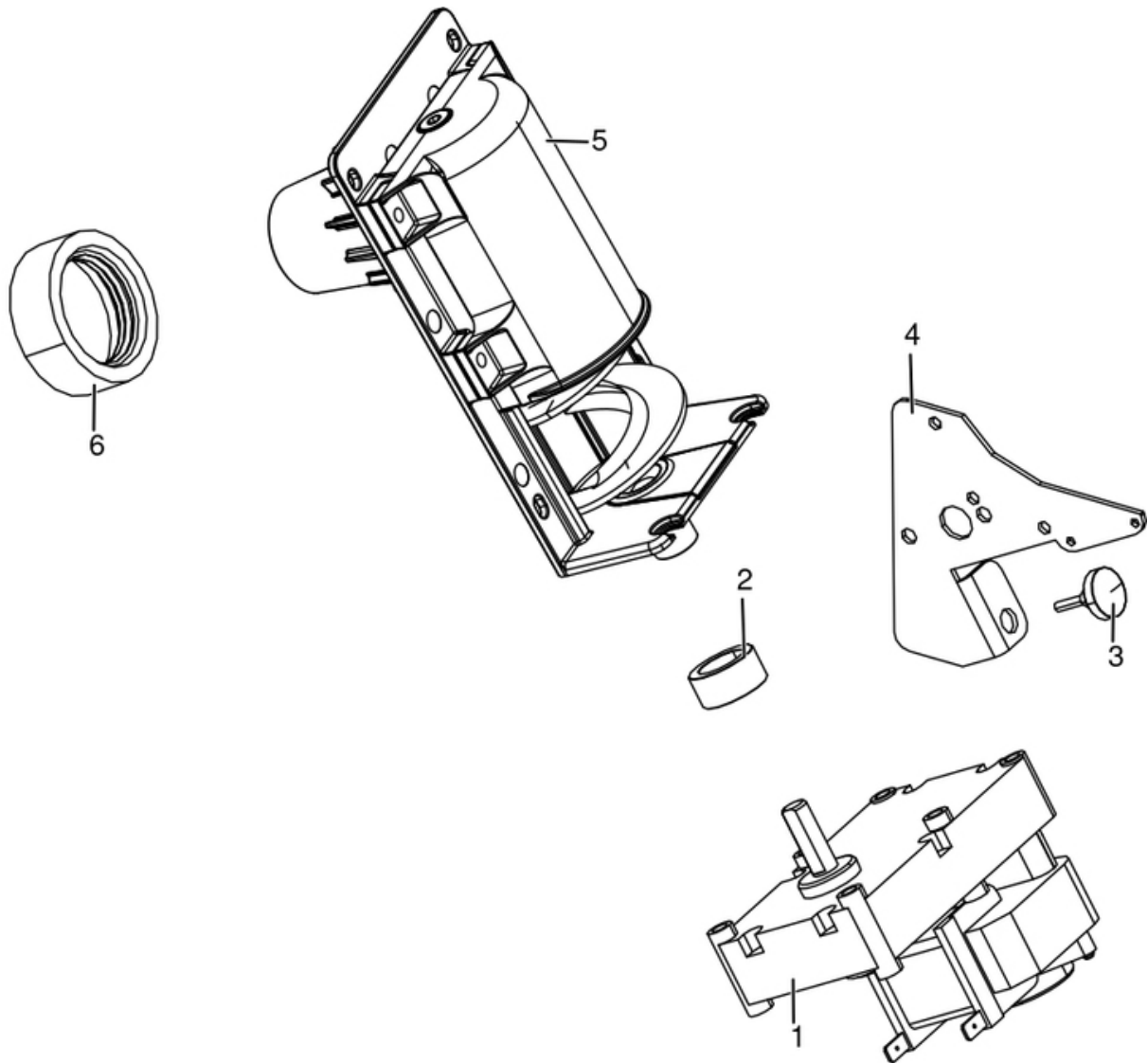
Porta fuoco / Fire door / Feuertür / Porte foyer / Puerta hogar



N°	Codice/Code	Descrizioni / Description / Beschreibung / Description / Descripcion	Prezzo (€)
1	4D13015702061	Telaio porta fuoco nero 500° / Black door frame 500° / Türrahmen Ausführung Schwarz lackiert 500° / Cadre porte foyer Noir 500° / Armazón acabado negro 500°	118.00
2	4D24015868161	Maniglia / Handle / Griff / Poignée / Tirador	26.00
3	4D241185293	Raccogli cenere / Ash holder / Aschensammeln / Collecteur de cendres / Recoger cenizas	25.00
4	4D18013021A	Guarnizione treccia nera D.10 - 5 M / Black twist gasket D.10 - 5 M / Dichtung D.10 - 5 M / Joint tresse noire D.10 - 5 M / Junta D.10 - 5 M	33.00
4	4D18013021B	Guarnizione treccia nera D.10 - 50 M / Black twist gasket D.10 - 50 M / Dichtung D.10 - 50 M / Joint tresse noire D.10 - 50 M / Junta D.10 - 50 M	144.00
5	4D2401317703	Fermavetro (pz.2) / Glass fastening brackets (pcs.2) / Haltebügel für Scheibenbefestigung (stk.2) / Etrier de fixation de la vitre (pcs.2) / Retendor del cristal (pz.2)	31.00
6	4D18013034A	Guarnizione Tricotex D.6mm (5m) / Gasket Tricotex D.6mm (5m) / Dichtung Tricotex D.6mm (5m) / Joint Tricotex D.6mm (5m) / Junta Tricotex D.6mm (5m)	32.00
6	4D18013034B	Guarnizione Tricotex D.6mm (50m) / Gasket Tricotex D.6mm (50m) / Dichtung Tricotex D.6mm (50m) / Joint Tricotex D.6mm (50m) / Junta Tricotex D.6mm (50m)	106.00
7	4D170157040	Vetroceramico 379X193X4 / Ceramic glass 379X193X4 / Glaskeramikscheibe 379X193X4 / Vitrecéramique 379x193x4 mm / Cristal cerámico 379x193x4 mm	106.00
8	4D242157093	Deflettore aria porta / Door air deflector / Luftleitblech Tür / Deflecteur air porte / Deflector aire puerta	29.00
9	4D240157991	Asola porta / Door lock hole / Schleife für Türblockierung / Boucle de porte / Ojal de la puerta	23.00

MOON AT WIFI - VERSION FROM 2020

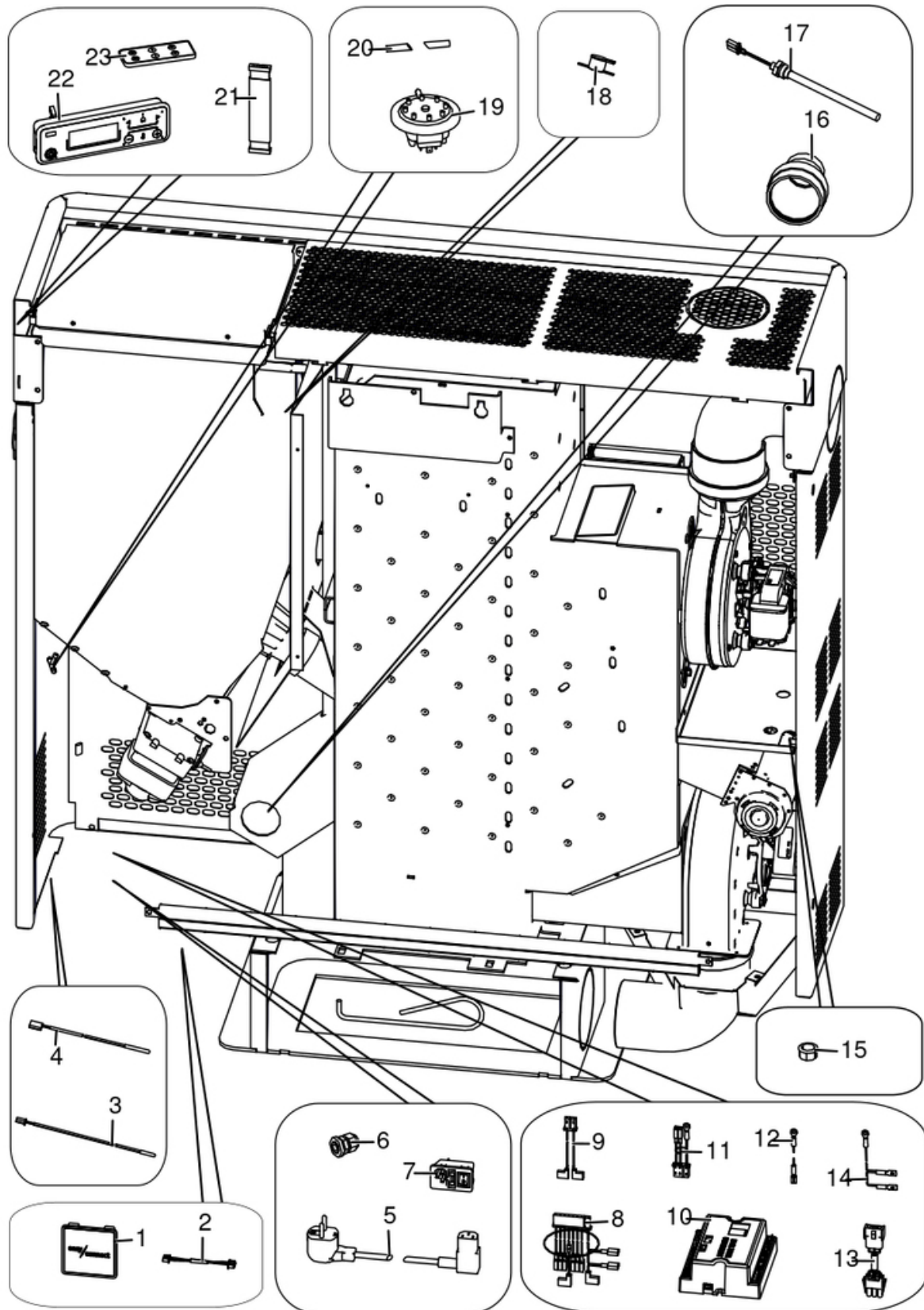
Gruppo caricamento pellet / Pellet feed group / Pellet Fördergruppe / Groupe chargement du pellet / Grupo de carga pellet



N°	Codice/Code	Descrizioni / Description / Beschreibung / Description / Descripcion	Prezzo (€)
1	4160278	Motoriduttore 1,5 RPM / Reduction motor 1,5 RPM / Getriebemotor 1,5 RPM / Motorréducteur 1,5 RPM / Motorreductor 1,5 RPM	103.00
2	4D120183040	Anello Ø 17,2 / Ring Ø 17,2 / Bague Ø 17,2 / Ring Ø 17,2 / Anillo Ø 17,2	27.00
3	4D120172010K	Kit 4 paracolpi / Kit 4 Bumpers / Kit 4 Schlagschutzgummi / Kit 4 pièces antichoc / Kit 4 anti-golpes	23.00
4	4D241183761	Staffa / Bracket / Bügel / Etrier / Abrazadera	27.00
5	4D180177070	Coclea di caricamento pellet / Pellet feed screw / Pelletsförderschnecke / Vis sans fin pour chargement du pellet / Cóclea de carga pellet	141.00
6	4D18013003	Guarnizione D.50 mm / Gasket D.50 mm / Dichtung D.50 mm / Joint D.50 mm / Junta D.50 mm	26.00

MOON AT WIFI - VERSION FROM 2020

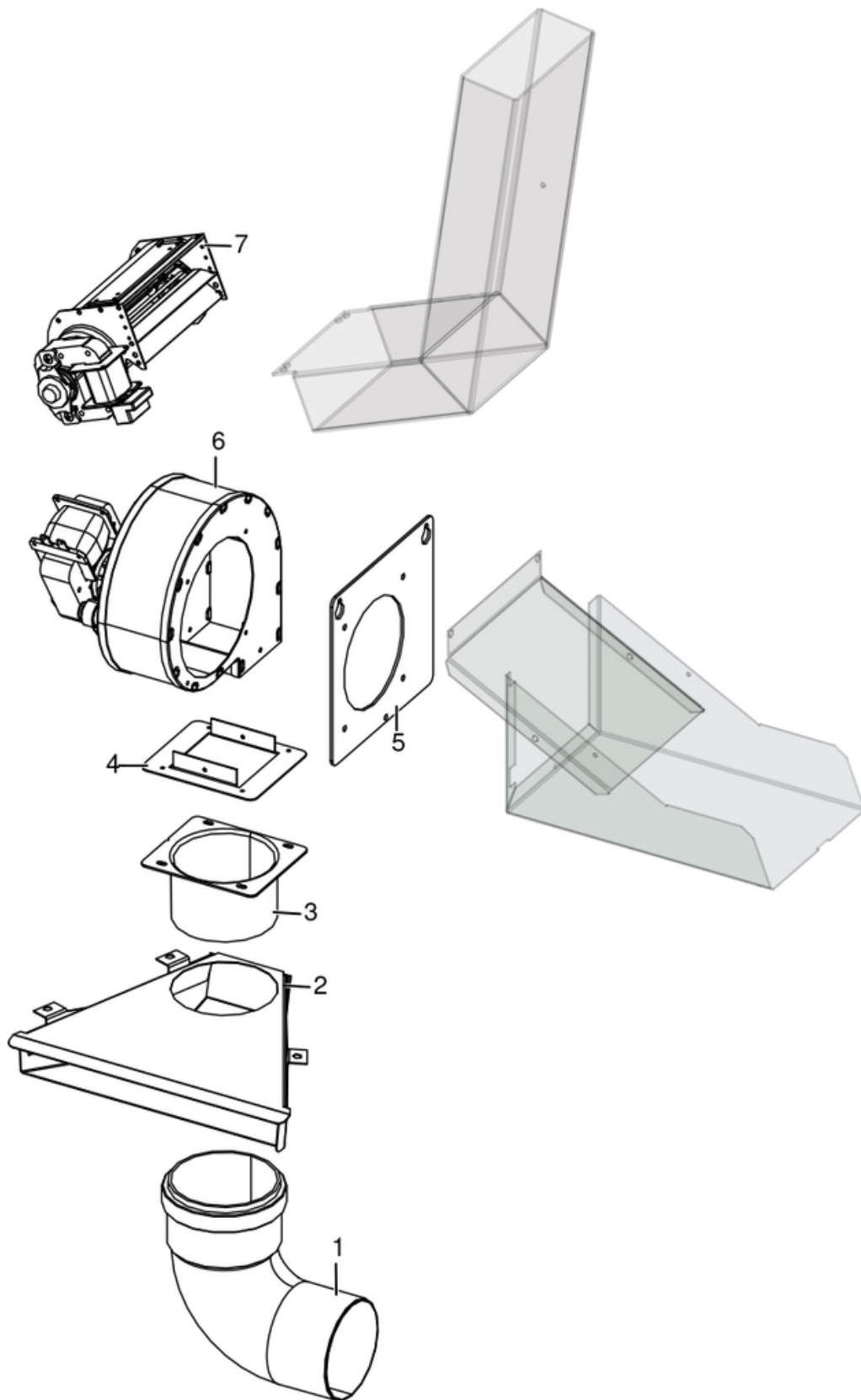
Gruppo elettrico ed elettronico / Electrical and electronic group / Elektrische und elektronische Gruppe / Groupe électrique et électronique / Grupo eléctrico y electrónico



N°	Codice/Code	Descrizioni / Description / Beschreibung / Description / Descripcion	Prezzo (€)
1	4D145201030	Modulo Wi-fi / Wi-fi module / Wi-Fi-Modul / Module Wi-fi / Módulo wifi	75.00
2	4D1452002500	Cavo flat 7 vie / Flat cable / Flat-Kabel / Cable flat / Cables flat	22.00
3	4D145150100	Sonda ambiente / Room temperature sensor / Raumtemperaturfühler / Sonde température ambiance / Sonda ambiente	24.00
4	4D145150070	Sonda fumi / Smoke sensor / Rauchsonde / Sonde fumées / Sonda humos	36.00
5	4D14513041	Cavo alimentazione / Power source cable / Zündungskabel / Câble alimentation / Cable alimentación	25.00
6	4D14513018	Pressacavo + cont. Dado / Cable holder / Kabelklemme / Presse-cable / Presionacable	20.00
7	4D145181080	Pulsante accensione 30.5x50 mm / On/Off button 30.5x50 mm / Zündungstaste 30.5x50 mm / Touche d'allumage 30.5x50 mm / Botón encendido 30.5x50 mm	18.00
8	4D145171020	Cablaggio / Wiring / Verkabelung / Cablage / Cableado	31.00
9	4D145181030	Cablaggio 2 Pin completo L.1380 / Complete wiring kit 2 Pin L.1380 / Komplette Verkabelung 2 Pin L.1380 / Câblage complet 2 Pin L.1380 / Cableado completo 2 Pin L.1380	18.00
10	4D1452002400A	Scheda W002_D01 / Motherboard W002_D01 / Hauptplatine W002_D01 / Carte mère W002_D01 / Tarjeta madre W002_D01	204.00
11	4D14513024	Cablaggio 3 Pin completo / Complete wiring kit 3 Pin / Komplette Verkabelung 3 Pin / Câblage complet 3 Pin / Cableado completo 3 Pin	22.00
12	4D14513021	Cavo massa 140 mm / Mass cable 140 mm / Masse Kabel 140 mm / Cable masse 140 mm / Cable masa 140 mm	18.00
13	4D14513048	Cablaggio encoder / Encoder wiring / Encoder Verkabelung / Cablage encoder / Cableado encoder	27.00
14	4D145171030	Cavo massa / Mass cable / Masse Kabel / Cable masse / Cable masa	20.00
15	4D14513049	Passacavo Ø 16 / Fairlead Ø 16 / Kabeldurchgang Ø 16 / Passe-câble Ø 16 / pasacables Ø 16	20.00
16	4D180150030	Raccordo / Connector / Anschlußrohr / Raccord / Racor	24.00
17	4D145181040	Candeletta / Sparkplug / Zündkerze / Bougie / Bujia	51.00
18	4D14513006	Termostato 60°C / Thermostat 60°C / Thermostat 60°C / Thermostat 60°C / Termostato 60°C	48.00
19	4160482	Pressostato 0,4 mbar / Pressure gauge 0,4 mbar / Druckwächter 0,4 mbar / Pressostat 0,4 mbar / Presostato 0,4 mbar	38.00
20	4120631A	Tubicino siliconico - 5m / Silicon tube - 5m / Silikonrohr - 5m / Petit tuyau en silicone - 5m / Tubo silicónico - 5m	22.00
21	4D145158020	Cavo flat scheda-pannello / Flat cable motherboard-control panel / Flat Kabel Hauptplatine-Bedienblende / Câble flat carte mère-panneau commande / Cable flat tarjeta madre-panel de mandos	29.00
22	4D1451303300	Pannello comandi grafico / Graphic control panel / Graphische Bedienblende / Tableau de commande / Panel de mandos gráfico	138.00
23	5019012	Telecomando / Remote control / Fernbedienung / Télécommande / Mando a distancia	55.00

MOON AT WIFI - VERSION FROM 2020

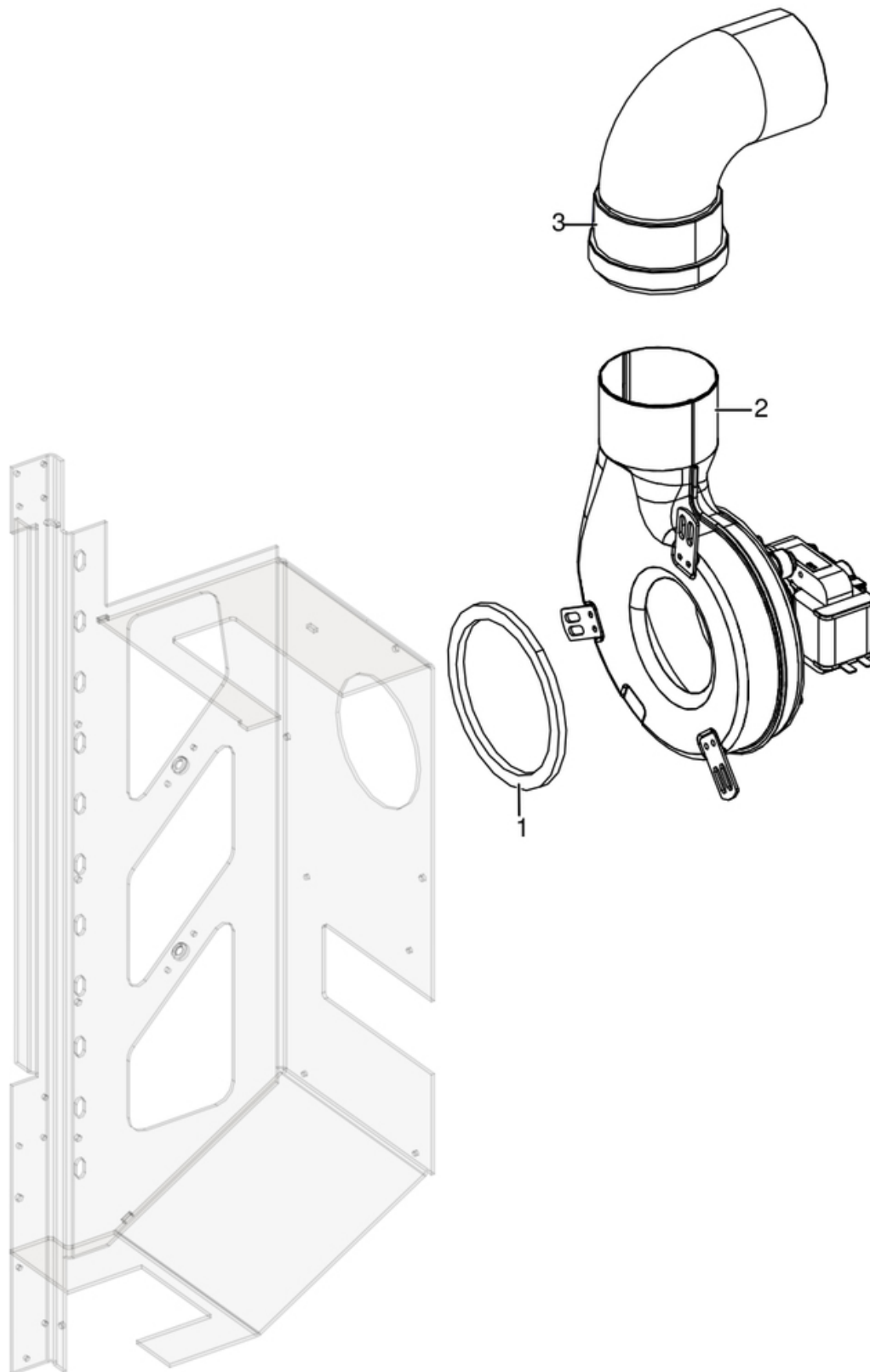
Gruppo ventilazione / Ventilation group / Lüftungsgruppe / Groupe de ventilation / Grupo de ventilación



N°	Codice/Code	Descrizioni / Description / Beschreibung / Description / Descripcion	Prezzo (€)
1	4D16013010	Raccordo fumi 90° maschio/femmina D.80 / Smoke connection 90° male/female D.80 / Rauchabzug 90° zapfen/mutter D.80 / Raccord fumées 90° mâle/femelle D.80 / Conexión de humos 90° macho/hembra D. 80	44.00
2	4D24016643461	Diffusore aria calda / Hot air diffuser / Warmluftdiffusor / Diffuseur air chaude / Difusor aire caliente	42.00
3	4D14513040	Raccordo D.80 mm / Connector D.80 mm / Anschlußrohr D.80 mm / Raccord D.80 mm / Racor D.80 mm	22.00
4	4D241140083	Flangia / Flange / Flansche / Bride / Brida	15.00
5	4D241166181	Flangia / Flange / Flansch / Bride / Brida	26.00
6	4D145201070	Ventilatore aria / Air fan / Luftgebläse / Ventilateur air / Ventilador aire	91.00
7	4D145171010	Ventilatore / Fan / Luftgebläse / Ventilateur air / Ventilador aire	72.00

MOON AT WIFI - VERSION FROM 2020

Gruppo fumi / Smoke group / Rauchgruppe / Groupe fumées / Grupo de humos



N°	Codice/Code	Descrizioni / Description / Beschreibung / Description / Descripcion	Prezzo (€)
1	4D18013024	Guarnizione / Gasket / Dichtung / Joint / Junta	26.00
2	4D145140150	Ventilatore fumi stagno / Air-tight smoke exhausted fan / Luftdichtes Rauchgasgebläse / Ventilateur fumées étanche / Ventilador humos hermético	121.00
3	4D16013010	Raccordo fumi 90° maschio/femmina D.80 / Smoke connection 90° male/female D.80 / Rauchabzug 90° zapfen/mutter D.80 / Raccord fumées 90° mâle/femelle D.80 / Conexión de humos 90° macho/hembra D. 80	44.00