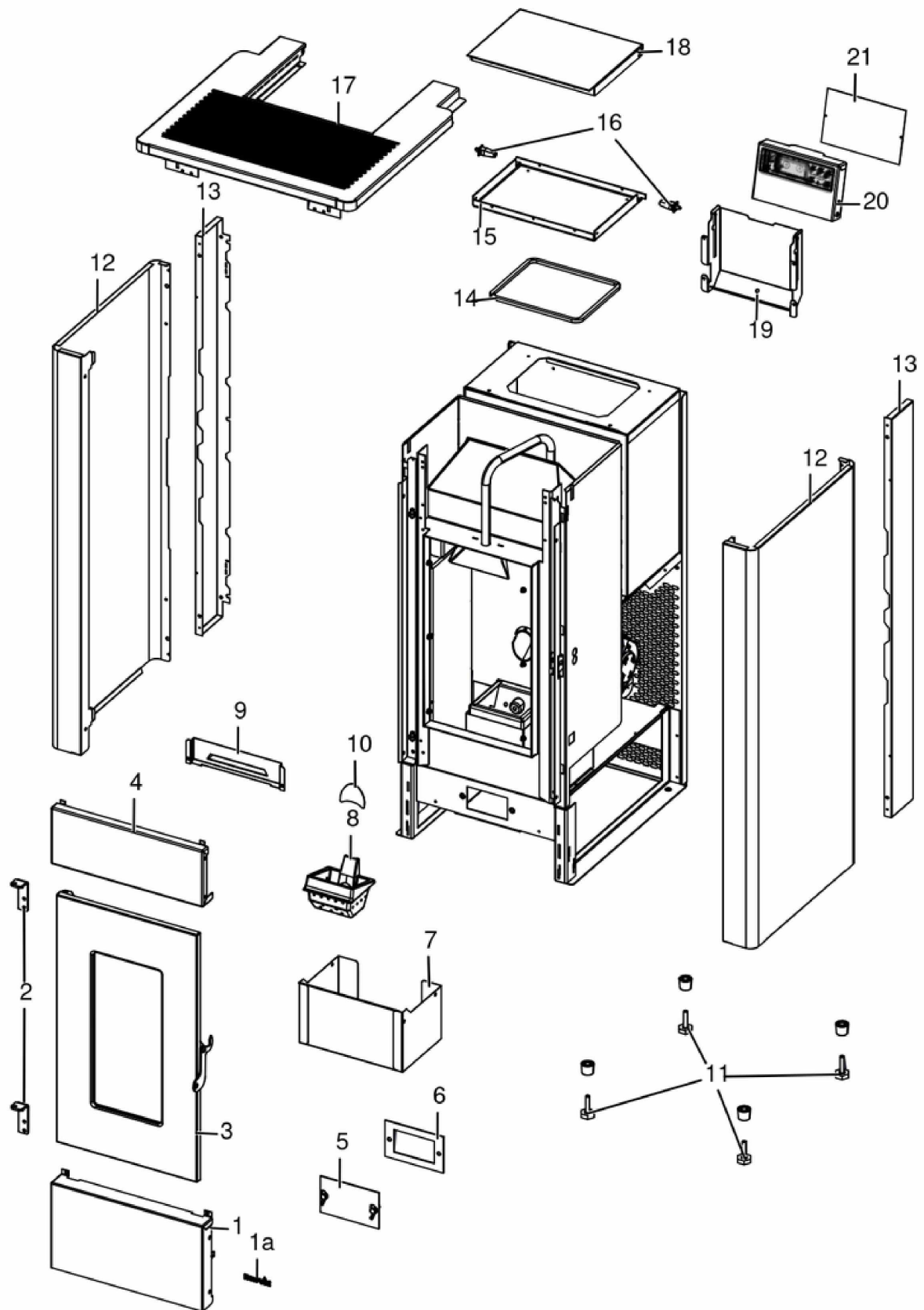


SHARP

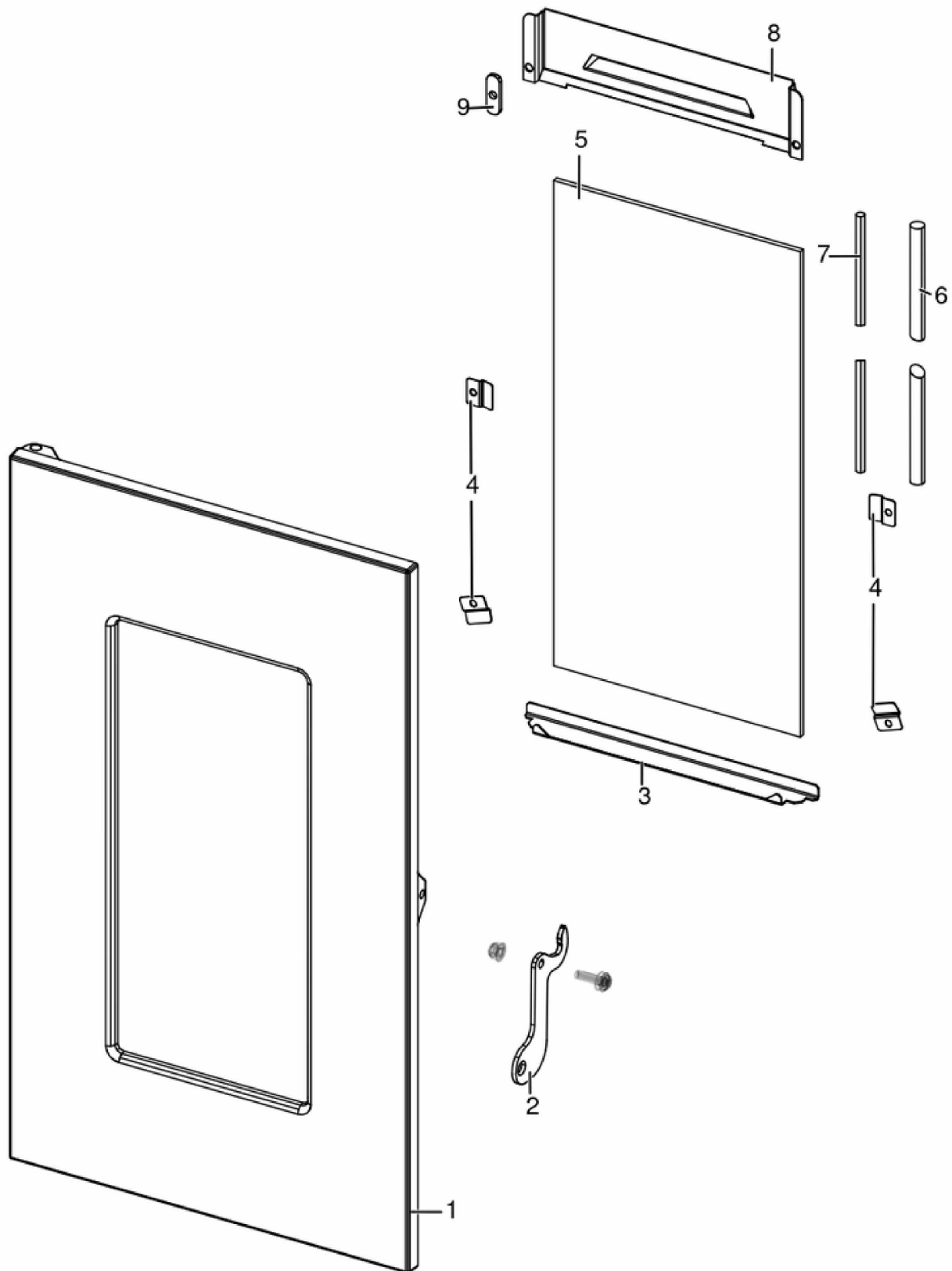
Componenti Struttura Esterna / External structure components / Bauteile Aussenkorpus / Composants structure externe / Componentes estructura externa



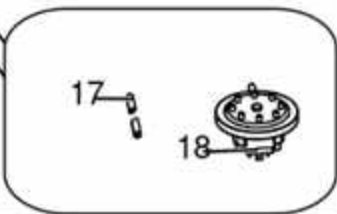
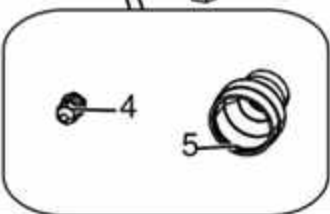
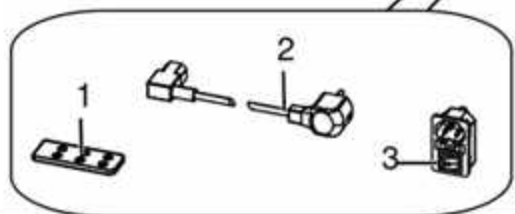
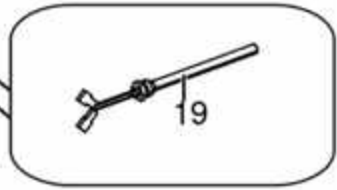
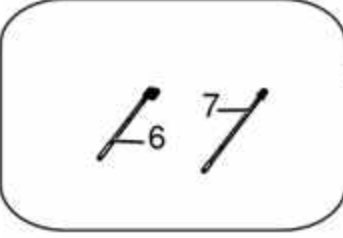
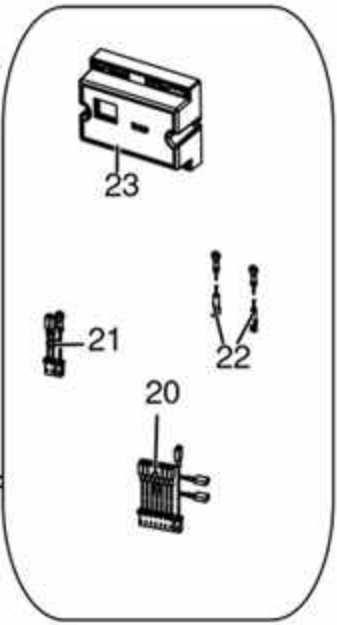
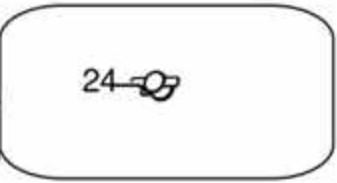
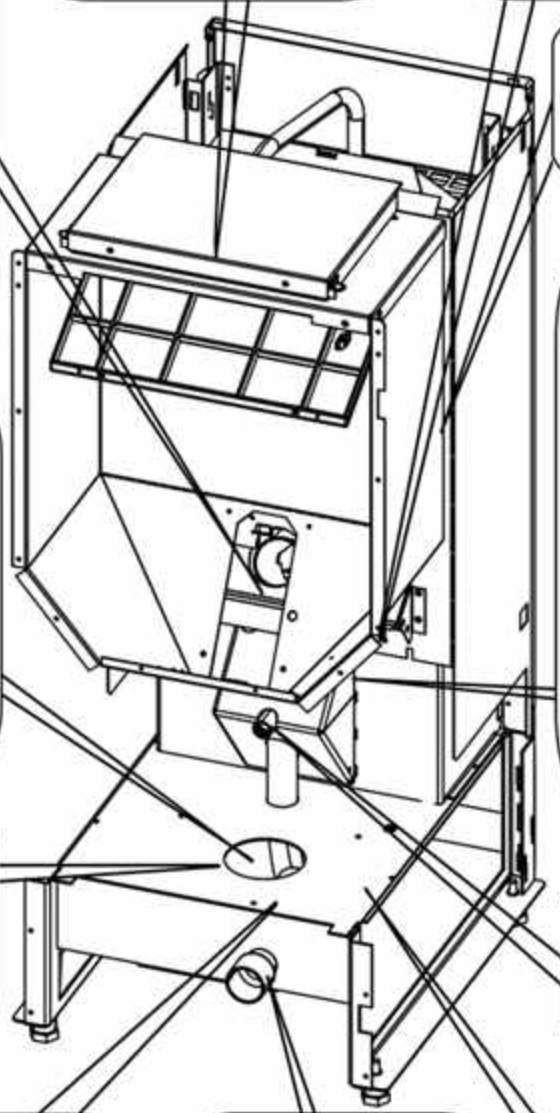
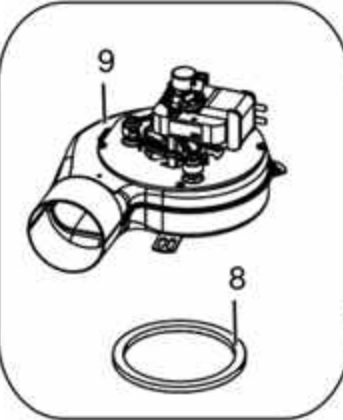
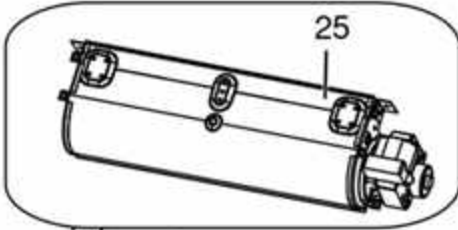
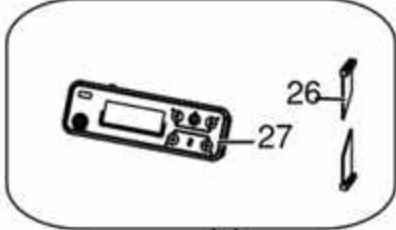
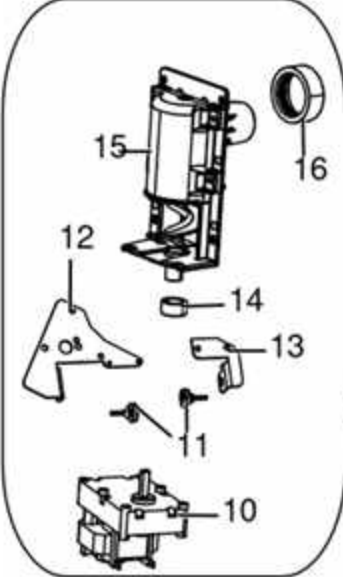
N°	Codice/Code	Descrizioni / Description / Beschreibung / Description / Descripcion	Prezzo (€)
1	4D24015838363	Frontalino inferiore / Lower filler / Untere Stopfung / Plaque inférieure / Tapa inferior	36.00
1a	4D18013009	Targhetta Freepoint / Freepoint plate / Freepoint blech / Plaque Freepoint / Placa Freepoint	24.00
2	4D24015703361	Cerniere porta (2 pz) / Door hinges (2 pc.) / Tür Scharnier (2 Teile) / Charnières porte (2. pcs.) / Bisagras puerta (2 pz.)	35.00
3	4D245GP16004	Porta fuoco completa / Complete fire door / Komplette Feuertür / Porte foyer complete / Puerta hogar completa	194.00
4	4D24015839361	Pannello frontale superiore nero 500° / Frontal upper panel black 500° / Oberes Frontpaneel schwarz 500° / Panneau frontal superieur noir 500° / Panel frontal superior negro 500°	46.00
5	4D2401300111	Tappo ispezione vano fumi / Smoke compartment inspection plug / Inspektionskappe Rauchabzug / Clapet inspection compartiment fumées / Tapón inspección compartimento humos	21.00
6	4D18013001	Guarnizione 130x80 mm / Gasket 130x80 mm / Dichtung 130x80 mm / Joint 130x80 mm / Junta 130x80 mm	26.00
7	4D24015834461	Cassetto cenere / Ash drawer / Aschenkasten / Tiroir à cendres / Cajón ceniza	91.00
8	4D130158010	Braciere / Grate / Brennschale / Braserio / Braserio	54.00
9	4D241158273	Deflettore aria / Air deflector / Luft Leitblech / Deflecteur air / Deflector aire	34.00
10	4D2401303101	Deflettore pellet / Pellet deflector / Pellet Leitblech / Deflecteur pellet / Deflector pellet	34.00
11	4D12013006	Piedini di appoggio (4 pz.) / Support feet (4 pcs.) / Einstellfüße (4 Stck.) / Vérins (4 pcs) / Pies de apoyo (4 pzs)	25.00
12	6918004	Rivestimento metallo Bianco / Metal cladding White / Metallverkleidung Weiss / Habillage metal Blanc / Revestimiento metal Blanco	74.00
12	6918005	Rivestimento metallo Bordeaux / Metal cladding Bordeaux / Metallverkleidung Bordeaux / Habillage metal Bordeaux / Revestimiento metal Bordeaux	74.00
12	6918006	Rivestimento metallo Antracite / Metal cladding Anthracite / Metallverkleidung Anthrazit / Habillage metal Titanium / Revestimiento metal Antracita	74.00
13	4D24017804363	Tamponamento / Filling / Ausfachung / Plaque métallique / Tapa	40.00
14	4D18013016	Guarnizione 155X190 mm / Gasket 155X190 mm / Dichtung 155x190 mm / Joint 155X190 mm / Junta 155X190 mm	34.00
15	4D241157093	Supporto / Support / Haltebügel / Support / Soporte	45.00
16	4D14013054C	Cerniera a innesto (2 pz) / Hinge (2 pc) / Scharnier (2 Stck) / Charnière (2 pcs) / Bisagra (2 pzs)	28.00
17	4D24017803463	Top / Top / Abdeckplatte / Dessus / Top	140.00
18	4D24015740361	Coperchio serbatoio pellet / Pellet hopper cover / Deckel Pelletbehälter / Couvercle réservoir pellet / Tapadera depósito pellet	48.00
19	4D241157253	Supporto pannello comandi / Display support / Display halterung / Support pour le panneau de comande / Soporte panel de mandos	50.00
20	4D24015765363	Porta display 64K nero / Display support 64K black / Displayträger 64K schwarz / Support tableau de commande 64K noir / Soporte panel de mandos 64K negro	53.00
21	4D241157241	Protezione cavo display / Display cable protection / Notfalldisplay Kabel Schützung / Protection du cable de panneau commandes / Protección Cable Display	13.00

SHARP

Porta fuoco / Fire door / Feuertür / Porte foyer / Puerta hogar

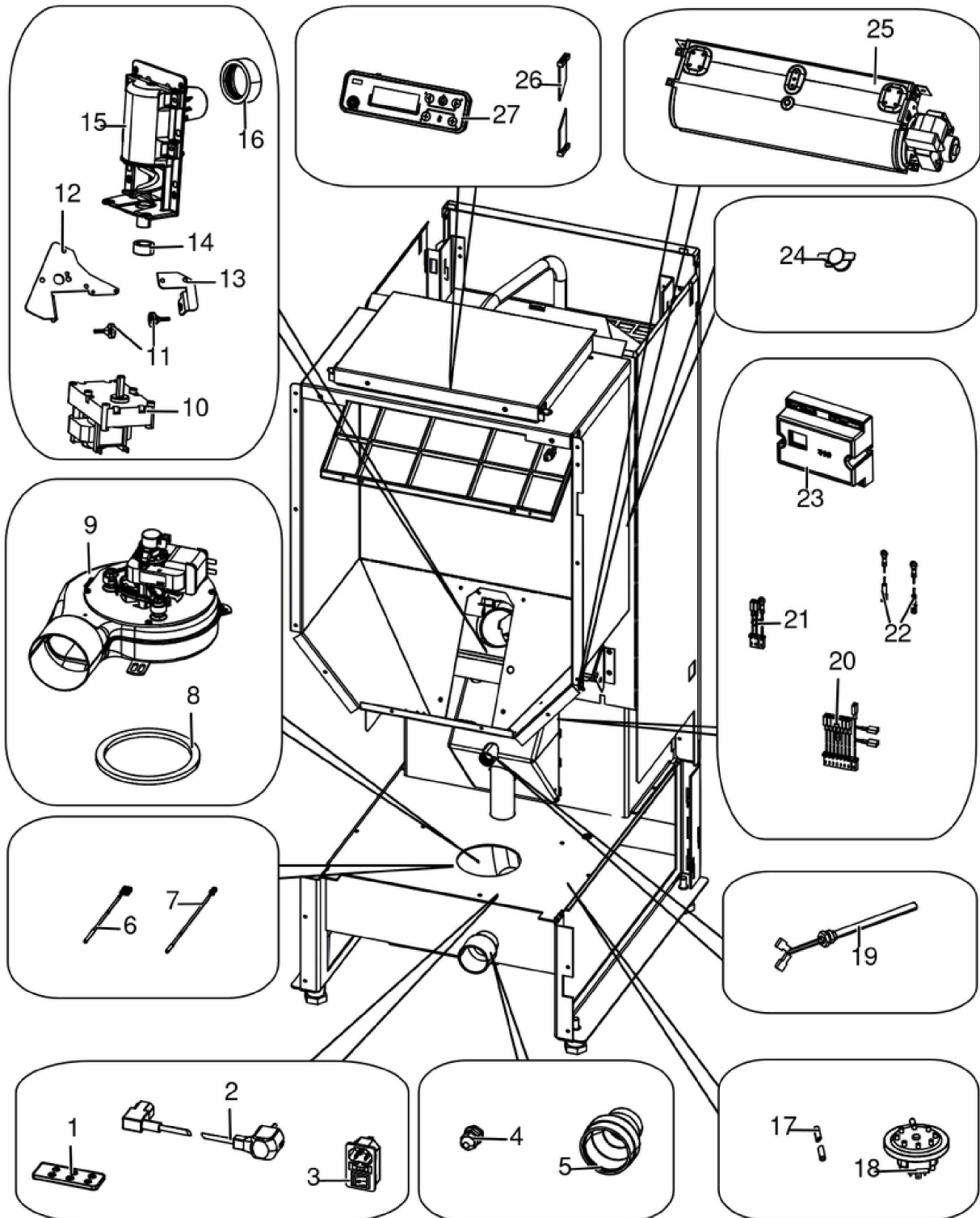


N°	Codice/Code	Descrizioni / Description / Beschreibung / Description / Descripcion	Prezzo (€)
1	4D13015702061	Telaio porta fuoco nero 500° / Black door frame 500° / Türrahmen Ausführung Schwarz lackiert 500° / Cadre porte foyer Noir 500° / Armazón acabado negro 500°	118.00
2	4D24015868161	Maniglia / Handle / Griff / Poignée / Tirador	26.00
3	4D241185293	Raccogli cenere / Ash holder / Aschensammeln / Collecteur de cendres / Recoger cenizas	25.00
4	4D2401317703	Fermavetro (pz.2) / Glass fastening brackets (pcs.2) / Haltebügel für Scheibenbefestigung (stk.2) / Etrier de fixation de la vitre (pcs.2) / Retendor del cristal (pz.2)	31.00
5	4D170157040	Vetroceramico 379X193X4 / Ceramic glass 379X193X4 / Glaskeramikscheibe 379X193X4 / Vitrecéramique 379x193x4 mm / Cristal cerámico 379x193x4 mm	106.00
6	4D18013021A	Guarnizione treccia nera D.10 - 5 M / Black twist gasket D.10 - 5 M / Dichtung D.10 - 5 M / Joint tresse noire D.10 - 5 M / Junta D.10 - 5 M	33.00
6	4D18013021B	Guarnizione treccia nera D.10 - 50 M / Black twist gasket D.10 - 50 M / Dichtung D.10 - 50 M / Joint tresse noire D.10 - 50 M / Junta D.10 - 50 M	144.00
7	4D18013034A	Guarnizione Tricotex D.6mm (5m) / Gasket Tricotex D.6mm (5m) / Dichtung Tricotex D.6mm (5m) / Joint Tricotex D.6mm (5m) / Junta Tricotex D.6mm (5m)	32.00
7	4D18013034B	Guarnizione Tricotex D.6mm (50m) / Gasket Tricotex D.6mm (50m) / Dichtung Tricotex D.6mm (50m) / Joint Tricotex D.6mm (50m) / Junta Tricotex D.6mm (50m)	106.00
8	4D241158273	Deflettore aria / Air deflector / Luft Leitblech / Deflecteur air / Deflector aire	34.00
9	4D240157991	Asola porta / Door lock hole / Schleife für Türblockierung / Boucle de porte / Ojal de la puerta	23.00



SHARP

Componenti interni meccanici ed elettronici / Electronic and mechanic internal parts / Interne mechanische und elektronische Bauteile / Composants internes mécaniques et électroniques / Componentes internos electrónicos y mecánicos



N°	Codice/Code	Descrizioni / Description / Beschreibung / Description / Descripción	Prezzo (€)
1	5019012	Telecomando / Remote control / Fernbedienung / Télécommande / Mando a distancia	55.00
2	4D14513041	Cavo alimentazione / Power source cable / Zündungskabel / Câble alimentation / Cable alimentación	25.00

3	4160193	Pulsante accensione / On/Off button / Zündungstaste / Touche d'allumage / Botón encendido	28.00
3	4D145181080	Pulsante accensione 30.5x50 mm / On/Off button 30.5x50 mm / Zündungstaste 30.5x50 mm / Touche d'allumage 30.5x50 mm / Botón encendido 30.5x50 mm	18.00
4	4D14513018	Pressacavo + cont. Dado / Cable holder / Kabelklemme / Presse-cable / Presionacable	20.00
5	4D180150030	Raccordo / Connector / Anschlußrohr / Raccord / Racor	24.00
6	4D145150060	Sonda fumi / Smoke sensor / Rauchsonde / Sonde fumées / Sonda humos	30.00
7	4D145150100	Sonda ambiente / Room temperature sensor / Raumtemperaturfühler / Sonde température ambiance / Sonda ambiente	24.00
8	4D18013024	Guarnizione / Gasket / Dichtung / Joint / Junta	26.00
9	4D145140150	Ventilatore fumi stagno / Air-tight smoke exhausted fan / Luftdichtes Rauchgasgebläse / Ventilateur fumées étanche / Ventilador humos hermético	121.00
10	4D145181010	Motoriduttore 1 RPM / Reduction motor 1 RPM / Getriebemotor 1 RPM / Motorréducteur 1 TPM / Motorreductor 1 RPM	104.00
11	4D120172010K	Kit 4 paracolpi / Kit 4 Bumpers / Kit 4 Schlagschutzgummi / Kit 4 pièces antichoc / Kit 4 anti-golpes	23.00
12	4D241183763	Staffa coclea / Feed screw bracket / Förderschneckebugel / Etrier vis sans fin / Abrazadera cóclea	22.00
13	4D241181061	Flangia supporto ventilatore / Ventilator support flange / Ventilator- Haltebugel Flansche / Bride support ventilateur / Brida soporte de ventilador	27.00
14	4D120183040	Anello Ø 17,2 / Ring Ø 17,2 / Bague Ø 17,2 / Ring Ø 17,2 / Anillo Ø 17,2	27.00
15	4D180177070	Coclea di caricamento pellet / Pellet feed screw / Pelletsförderschnecke / Vis sans fin pour chargement du pellet / Cóclea de carga pellet	141.00
16	4D18013003	Guarnizione D.50 mm / Gasket D.50 mm / Dichtung D.50 mm / Joint D.50 mm / Junta D.50 mm	26.00
17	4120631A	Tubicino silicónico - 5m / Silicon tube - 5m / Silikonrohr - 5m / Petit tuyau en silicone - 5m / Tubo silicónico - 5m	22.00
18	4160482	Pressostato 0,4 mbar / Pressure gauge 0,4 mbar / Druckwächter 0,4 mbar / Pressostat 0,4 mbar / Presostato 0,4 mbar	38.00
19	4D145181040	Candeletta / Sparkplug / Zündkerze / Bougie / Bujía	51.00
20	4D145158010	Cablaggio 8 Pin completo / Complete wiring kit 8 Pin / Komplette Verkabelung 8 Pin / Câblage complet 8 Pin / Cableado completo 8 Pin	29.00
21	4D14513024	Cablaggio 3 Pin completo / Complete wiring kit 3 Pin / Komplette Verkabelung 3 Pin / Câblage complet 3 Pin / Cableado completo 3 Pin	22.00
22	4D14513021	Cavo massa 140 mm / Mass cable 140 mm / Masse Kabel 140 mm / Cable masse 140 mm / Cable masa 140 mm	18.00
22	4D145140110	Cavo massa 280 mm / Mass cable 280 mm / Masse Kabel 280 mm / Cable masse 280 mm / Cable masa 280 mm	14.00
23	4D145157020A	Scheda madre N10064K / Motherboard N10064K / Hauptplatine N10064K / Carte mère N10064K / Tarjeta madre N10064K	155.00
24	4D14513006	Termostato 60°C / Thermostat 60°C / Thermostat 60°C / Thermostat 60°C / Termostato 60°C	48.00
25	4D145150120	Ventilatore aria / Air fan / Warmluftgebläse / Ventilateur air / Ventilador aire	63.00
26	4D145158020	Cavo flat scheda-pannello / Flat cable motherboard-control panel / Flat Kabel Hauptplatine-Bedienblende / Câble flat carte mère-panneau commande / Cable flat tarjeta madre-panel de mandos	29.00
27	4D1451303300	Pannello comandi grafico / Graphic control panel / Graphische Bedienblende / Tableau de commande / Panel de mandos gráfico	138.00