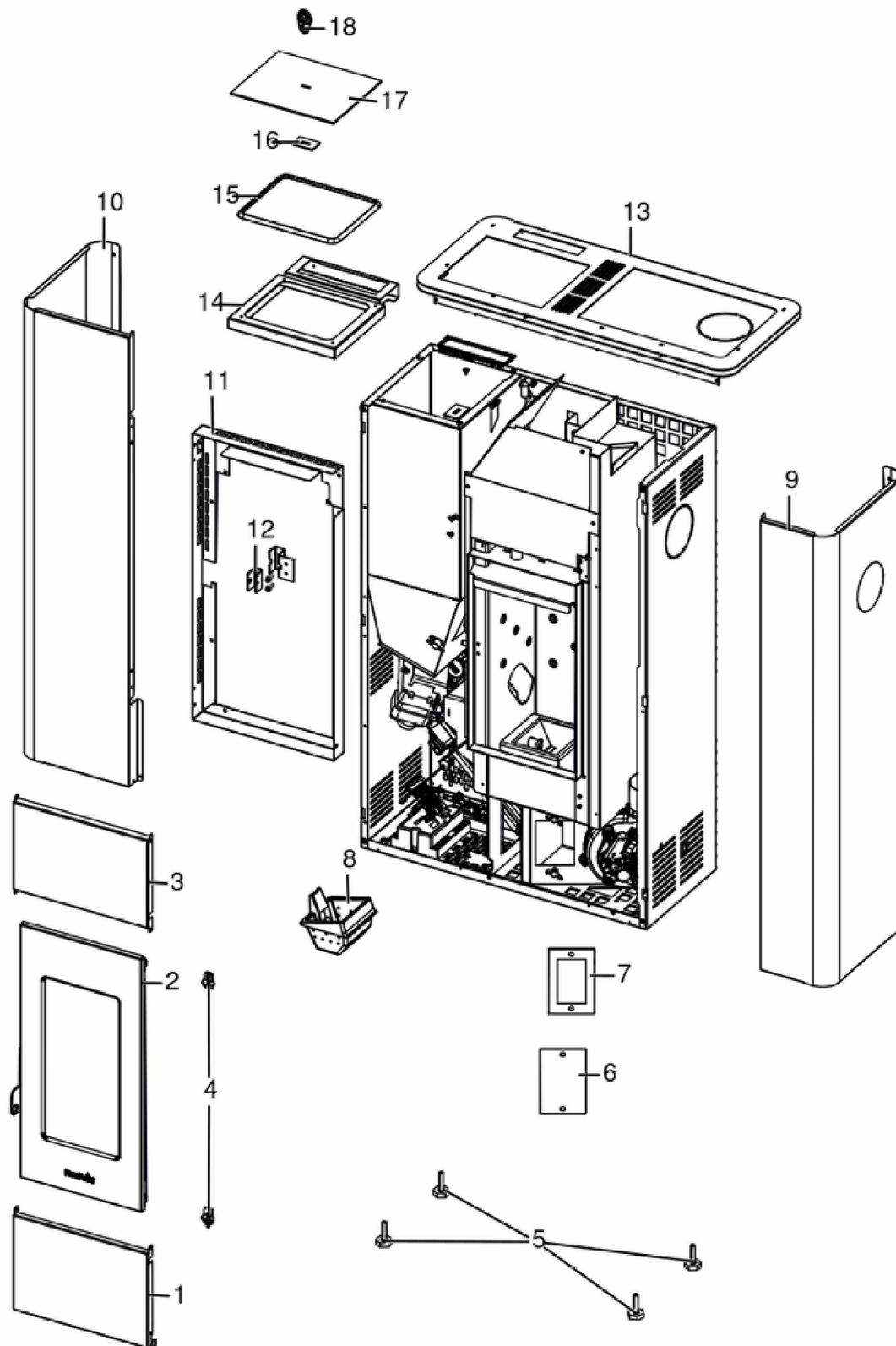


ATRIUM5

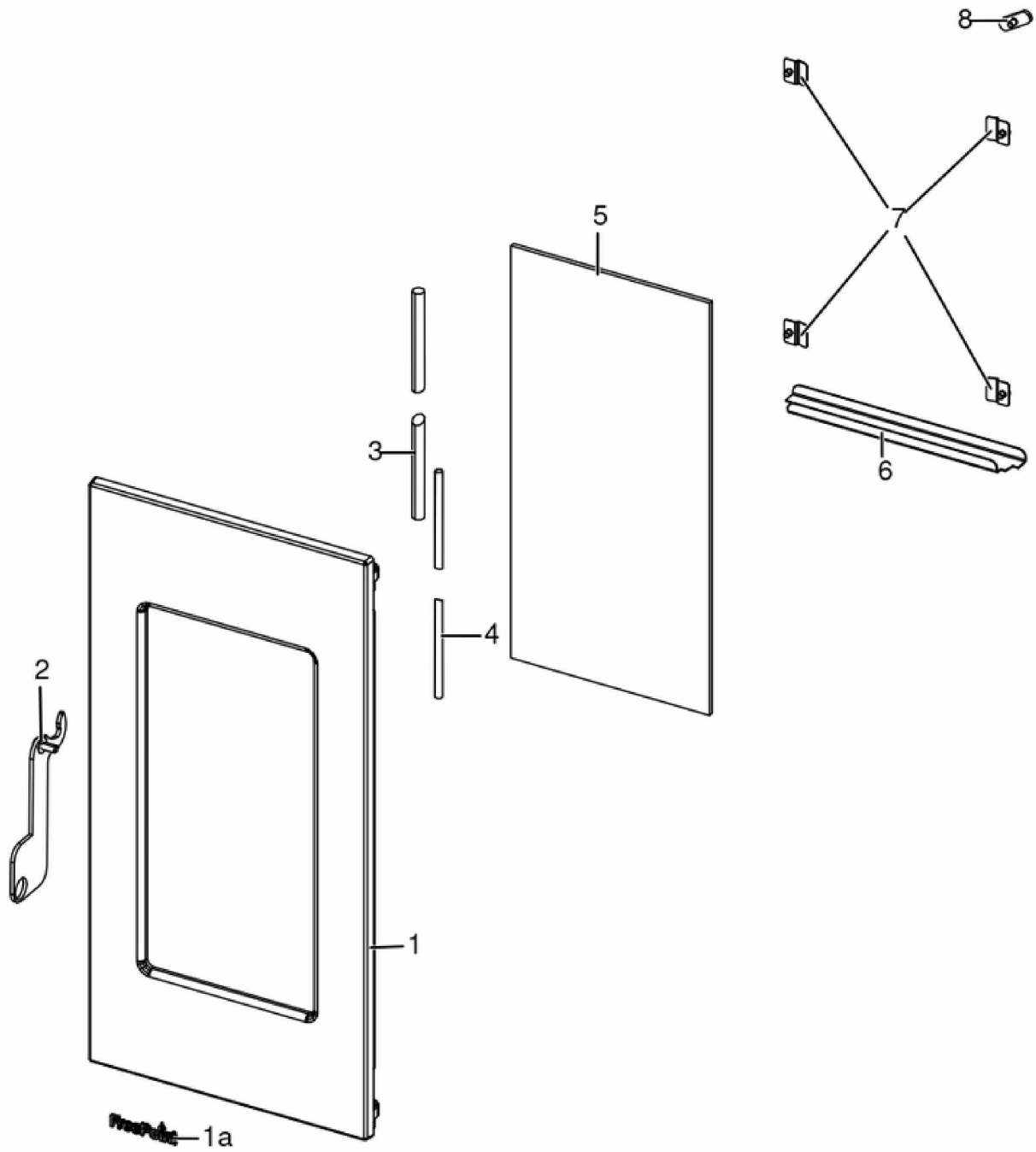
Componenti Struttura Esterna / External structure components / Bauteile Aussenkorpus / Composants structure externe / Componentes estructura externa



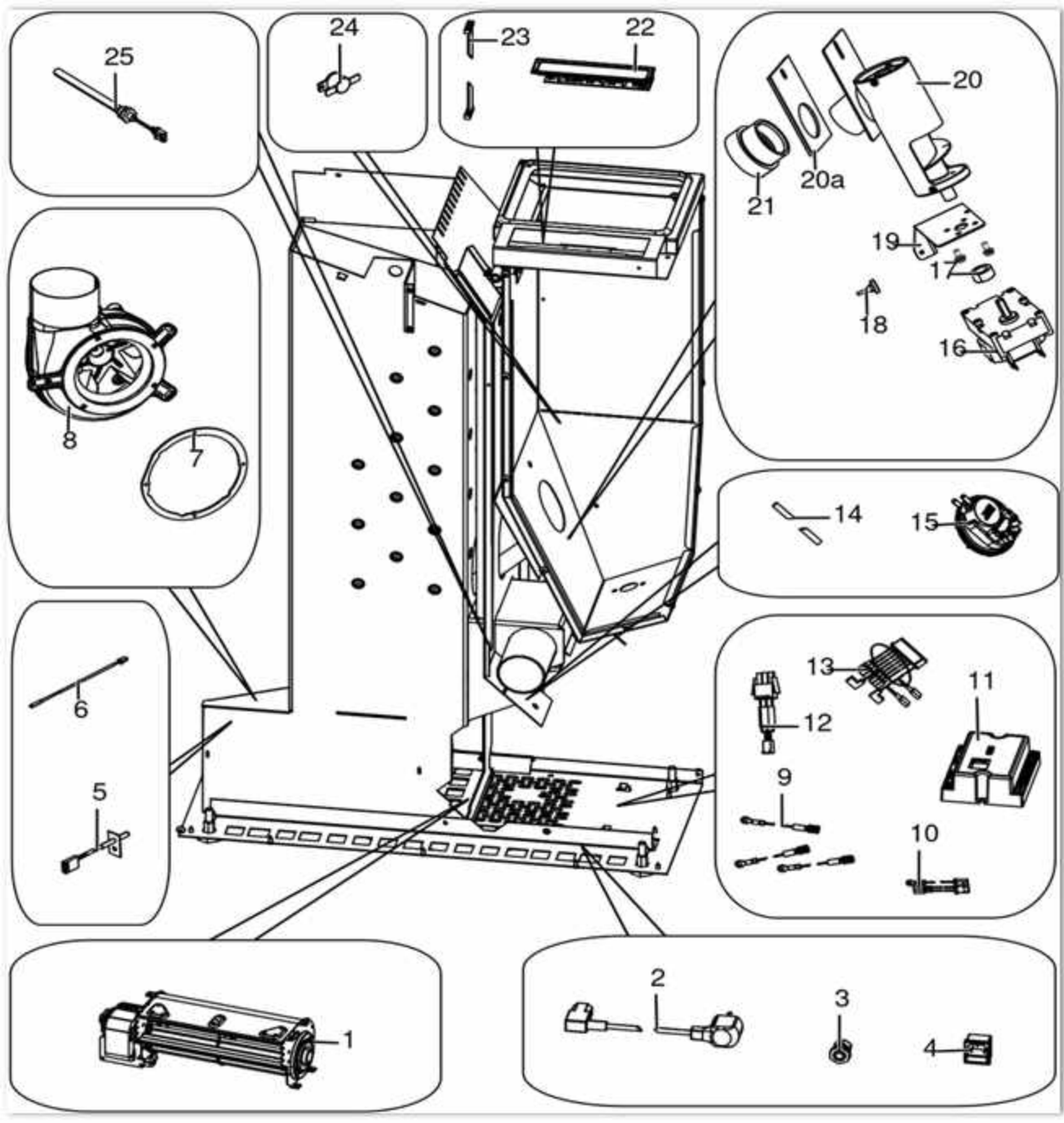
N°	Codice/Code	Descrizioni / Description / Beschreibung / Description / Descripcion	Prezzo (€)
1	4D24019470391	Pannello inferiore bordeaux / Lower panel Bordeaux / Paneel unten Bordeaux / Panneau inférieur bordeaux / Panel inferior bordeaux	35.00
1	4D24019470396	Pannello inferiore bianco / Lower panel White / Paneel unten Weiss / Panneau inférieur blanc / Panel inferior blanco	35.00
1	4D24019470340	Pannello inferiore antracite / Lower panel Anthracite / Paneel unten Anthrazit / Panneau inférieur Anthracite / Panel inferior antracita	35.00
2	4D245GP19010	Porta completa / Complete Door / Komplette Tür / Porte complète / Puerta completa	184.00
3	4D24019472391	Pannello superiore bordeaux / Upper panel Bordeaux / Paneel oben Bordeaux / Panneau supérieur bordeaux / Panel superior bordeaux	34.00
3	4D24019472396	Pannello superiore bianco / Upper panel White / Paneel oben Weiss / Panneau supérieur blanc / Panel superior blanco	34.00
3	4D24019472340	Pannello superiore antracite / Upper panel Anthracite / Paneel oben Anthrazit / Panneau supérieur Anthracite / Panel superior antracita	34.00
4	41201504460	Cerniera porta (2 pz.) / Door hinge (2 pc.) / Tür Scharnier (2 Stk.) / Charnière porte (2 pc.) / Bisagra puerta (2)	24.00
5	4D12013006	Piedini di appoggio (4 pz.) / Support feet (4 pcs.) / Einstellfüße (4 Stck.) / Vérins (4 pcs) / Pies de apoyo (4 pzs)	25.00
5	4D120201020	Piedino (4 pz) / Feet (4 Pcs) / Füße (4 Stck) / Vérins (4 Pcs) / Pies (4 pz)	22.00
6	4D2401300111	Tappo ispezione vano fumi / Smoke compartment inspection plug / Inspektionskappe Rauchabzug / Clapet inspection compartiment fumées / Tapón inspección compartimento humos	21.00
7	4D18013001	Guarnizione 130x80 mm / Gasket 130x80 mm / Dichtung 130x80 mm / Joint 130x80 mm / Junta 130x80 mm	26.00
8	4D130158010	Braciere / Grate / Brennschale / Brasero / Brasero	54.00
9	4D24019469391	Fianco dx bordeaux / Bordeaux right side / Rechte Seite Bordeaux / Panneau droite bordeaux / Panel DCHO bordeaux	90.00
9	4D24019469396	Fianco dx bianco / White right side / Rechte Seite Weiss / Panneau droite blanc / Panel DCHO bordeaux	114.00
9	4D24019469340	Fianco dx antracite / Anthracite right side / Rechte Seite Anthrazit / Panneau droite Anthracite / Panel DCHO antracita	102.00
10	4D24019471391	Fianco sx bordeaux / Bordeaux left side / Linke Seite Bordeaux / Panneau gauche bordeaux / Panel IZDO bordeaux	104.00
10	4D24019471396	Fianco sx bianco / White left side / Linke Seite Weiss / Panneau gauche blanc / Panel IZDO bordeaux	121.00
10	4D24019471340	Fianco sx antracite / Anthracite left side / Linke Seite Anthrazit / Panneau gauche Anthracite / Panel IZDO antracita	108.00
11	4D24019450363	Profilo frontale porta nero / Black frontal door profile / Schwarze Türschutz vorne / Profil porte frontal noir / Perfil frontal puerta negro	74.00
12	4D240194285	Kit staffa maniglia / Handle brackets kit / Haltebügel Kit / kit d'etriers du poigné / kit abrazaderas de tirador	36.00
13	4D24019468461	Top / Top / Top / Top / Top	127.00
14	4D241194063	Supporto display / Display support / Stütze Steuerplatine / Support tableau de commande / Soporte pantalla	38.00
15	4D18013016	Guarnizione 155X190 mm / Gasket 155X190 mm / Dichtung 155x190 mm / Joint 155X190 mm / Junta 155X190 mm	34.00
16	4D241198071	Spessore maniglia / Handle buffer / Griff Ausgleichsscheibe / Epaisseur poignée / Espesor manija	22.00
17	4D24019442163	Coperchio serbatoio pellet / Pellet hopper cover / Deckel Pelletbehälter / Couvercle réservoir pellet / Tapadera depósito pellet	35.00
18	41801602200	Maniglia silconica / silicone handle / Silikongriff / Poignée de silicone / Tirador de silicona	17.00

ATRIUM5

Porta fuoco / Fire door / Feuertür / Porte foyer / Puerta hogar

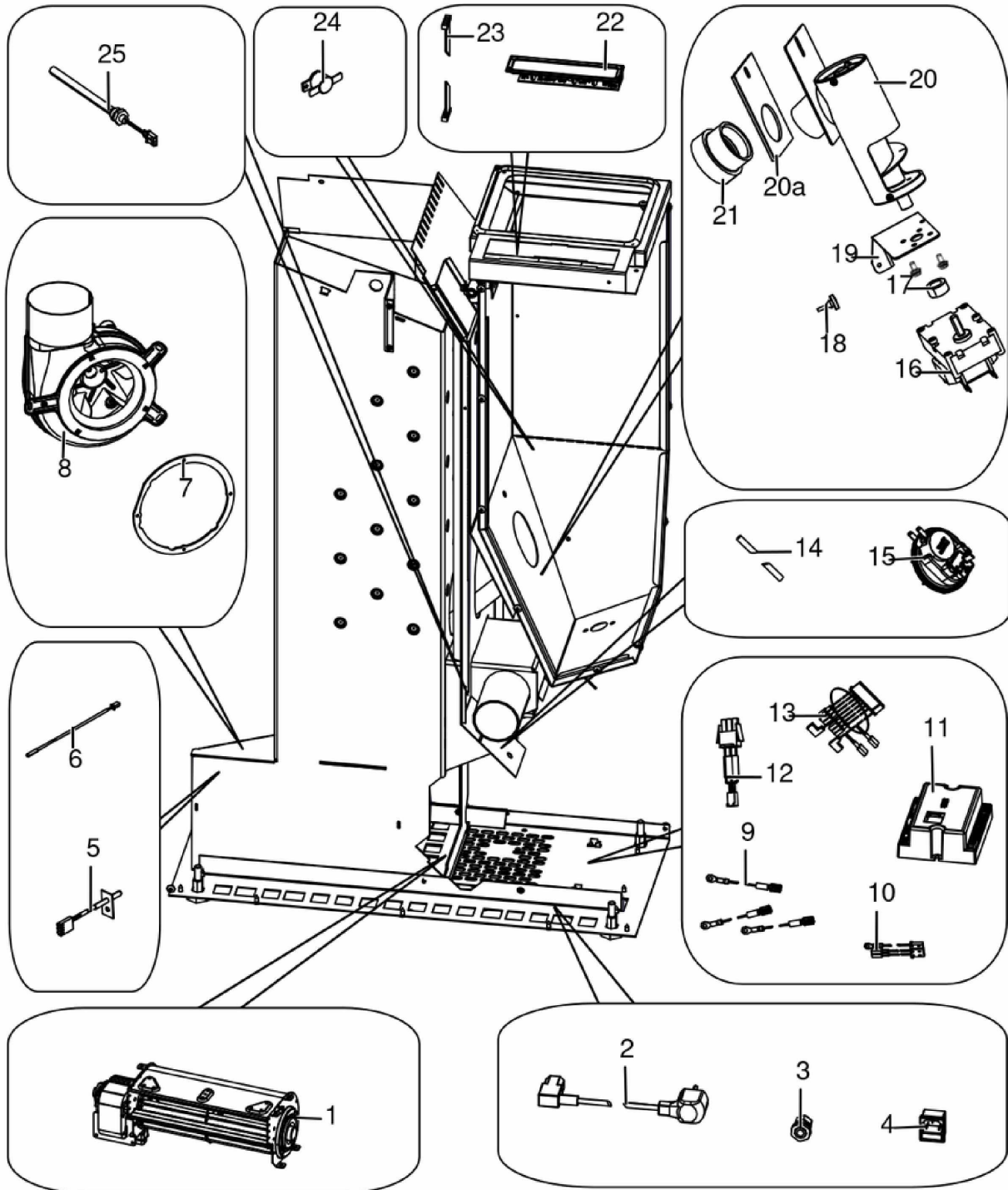


N°	Codice/Code	Descrizioni / Description / Beschreibung / Description / Descripción	Prezzo (€)
1	4D245GP19001	Porta / Door / Tür / Porte / Puerta	185.00
1a	4D18013009	Targhetta Freepoint / Freepoint plate / Freepoint blech / Plaque Freepoint / Placa Freepoint	24.00
2	4D24016014161	Maniglia / Handle / Griff / Poignée / Tirador	23.00
3	4D18013021A	Guarnizione treccia nera D.10 - 5 M / Black twist gasket D.10 - 5 M / Dichtung D.10 - 5 M / Joint tresse noire D.10 - 5 M / Junta D.10 - 5 M	33.00
3	4D18013021B	Guarnizione treccia nera D.10 - 50 M / Black twist gasket D.10 - 50 M / Dichtung D.10 - 50 M / Joint tresse noire D.10 - 50 M / Junta D.10 - 50 M	144.00
4	4D18013034A	Guarnizione Tricotex D.6mm (5m) / Gasket Tricotex D.6mm (5m) / Dichtung Tricotex D.6mm (5m) / Joint Tricotex D.6mm (5m) / Junta Tricotex D.6mm (5m)	32.00
4	4D18013034B	Guarnizione Tricotex D.6mm (50m) / Gasket Tricotex D.6mm (50m) / Dichtung Tricotex D.6mm (50m) / Joint Tricotex D.6mm (50m) / Junta Tricotex D.6mm (50m)	106.00
5	4D170194010	Vetro ceramico / Ceramic glass / Glaskeramikscheibe / Vitre en céramique / Cristal cerámico	68.00
6	4D241194153	Raccogli cenere porta / Door ash holder / Tür- Aschensammeln / Collecteur de cendres porte / Recoger cenizas	23.00
7	4D2401317703	Fermavetro (pz.2) / Glass fastening brackets (pcs.2) / Haltebügel für Scheibenbefestigung (stk.2) / Etrier de fixation de la vitre (pcs.2) / Retendor del cristal (pz.2)	31.00
8	4D240157991	Asola porta / Door lock hole / Schleife für Türblockierung / Boucle de porte / Ojal de la puerta	23.00



ATRIUM5

Componenti interni meccanici ed elettronici / Electronic and mechanic internal parts / Interne mechanische und elektronische Bauteile / Composants internes mécaniques et électroniques / Componentes internos electrónicos y mecánicos



N°	Codice/Code	Descrizioni / Description / Beschreibung / Description / Descripción	Prezzo (€)
1	4D145198010	Ventilatore aria destro / Right air fan / Rechte Luftgebläse / Ventilateur air droite / Ventilador aire derecho	78.00
2	4D14513041	Cavo alimentazione / Power source cable / Zündungskabel / Câble alimentation / Cable alimentación	25.00
3	4D14513018	Pressacavo + cont. Dado / Cable holder / Kabelklemme / Presse-cable / Presionacable	20.00
4	4D14513084	Cavo con spina Schuko / Cable with Schuko plug / Kabel mit Schucko Steckdose / Cable avec fiche Schuko / Cable con enchufe Schucko	33.00

5	4D145194010	Sonda fumi / Smoke sensor / Rauchgasfühler / Sonde fumées / Sonda humos	31.00
6	4D145150100	Sonda ambiente / Room temperature sensor / Raumtemperaturfühler / Sonde température ambiance / Sonda ambiente	24.00
7	4D180204001	Guarnizione ventilatore fumi / Smoke ventilator gasket / Rauchmotordichtung / Joint de ventilateur des fumées / Junta ventilador de humos	28.00
8	4D145181100	Aspiratore fumi stagno / Air-tight smoke exhausted fan / Luftdich Rauchgasgebläse / Ventilateur fumées étanche / Ventilador humos hermético	97.00
8	4D145209170	Encoder per ventilatore fumi marchi TRIAL / Encoder for TRIAL smoke fan / Encoder für TRIAL Rauchgasgebläse / Encoder pour ventilateur des fumées marques TRIAL / Encoder para ventilador humos marcas TRIAL	33.00
9	4D14513022	Cavo massa 680 mm / Mass cable 680 mm / Masse Kabel 680 mm / Cable masse 680 mm / Cable masa 680 mm	20.00
9	4D14513060	Cavo massa 130 mm / Mass cable 130 mm / Masse Kabel 130 mm / Cable masse 130 mm / Cable masa 130 mm	19.00
9	4D145140110	Cavo massa 280 mm / Mass cable 280 mm / Masse Kabel 280 mm / Cable masse 280 mm / Cable masa 280 mm	14.00
10	4D145183040	Cablaggio 3 Pin completo / Complete wiring kit 3 Pin / Komplette Verkabelung 3 Pin / Câblage complet 3 Pin / Cableado completo 3 Pin	22.00
11	4D14513036B	Scheda madre N100 / Motherboard N100 / Hauptplatine N100 / Carte mère N100 / Tarjeta madre N100	161.00
12	4D145194020	Cavo Encoder / Encoder cable / Encoder Kabel / Câble encoder / Cable encoder	23.00
13	4D145194040	Cablaggio 8 Pin completo / Complete wiring kit 8 Pin / Komplette Verkabelung 8 Pin / Câblage complet 8 Pin / Cableado completo 8 Pin	30.00
14	4120631A	Tubicino silicónico - 5m / Silicon tube - 5m / Silikonrohr - 5m / Petit tuyau en silicone - 5m / Tubo silicónico - 5m	22.00
15	4D145181110	Pressostato / Pressure switch / Druckwächter / Pressostat / Presostato	35.00
16	4D145181010	Motoriduttore 1 RPM / Reduction motor 1 RPM / Getriebemotor 1 RPM / Motoréducteur 1 TPM / Motorreductor 1 RPM	104.00
17	4120398	Connettore motoriduttore-coclea / Reduction motor-feed screw connector / Verbindung Getriebemotor-Schnecke / Connecteur motoréducteur-vis sans fin / Conector motorreductor-cóclea	22.00
18	4D120172010K	Kit 4 paracolpi / Kit 4 Bumpers / Kit 4 Schlagschutzgummi / Kit 4 pièces antichoc / Kit 4 anti-golpes	23.00
19	4D241198043	Staffa / Bracket / Haltebügel / Etrier / Abrazadera	22.00
20	41411933850	Gruppo alimentazione / Feeding group / Pelletsförderungsgruppe / Groupe d' alimentation / Grupo de alimentación	95.00
20a	41801902900	Guarnizione caricamento pellet / Pellet loading gasket / Dichtung Pelleteinfüllung / Joint de chargement pellet / Burlete carga pellet	16.00
21	41801702600	Disaccoppiatore coclea / Feed screw gasket / Dichtung Pelleutrutsche / Joint vis sans fin / Desacoplador cóclea	18.00
22	4D145198030	Display 3 tasti / 3 buttons control panel / Bedienblende mit 3 Taste / Panneau de commande 3 boutons / Panel de mandos con 3 botones	69.00
23	4D14513007	Cavo flat scheda-pannello / Flat cable motherboard-control panel / Flat Kabel Hauptplatine-Bedienblende / Câble flat carte mère-panneau commande / Cable flat tarjeta madre-panel de mandos	31.00
24	4D14513006	Termostato 60°C / Thermostat 60°C / Thermostat 60°C / Thermostat 60°C / Termostato 60°C	48.00
25	4D145181040	Candeletta / Sparkplug / Zündkerze / Bougie / Bujía	51.00