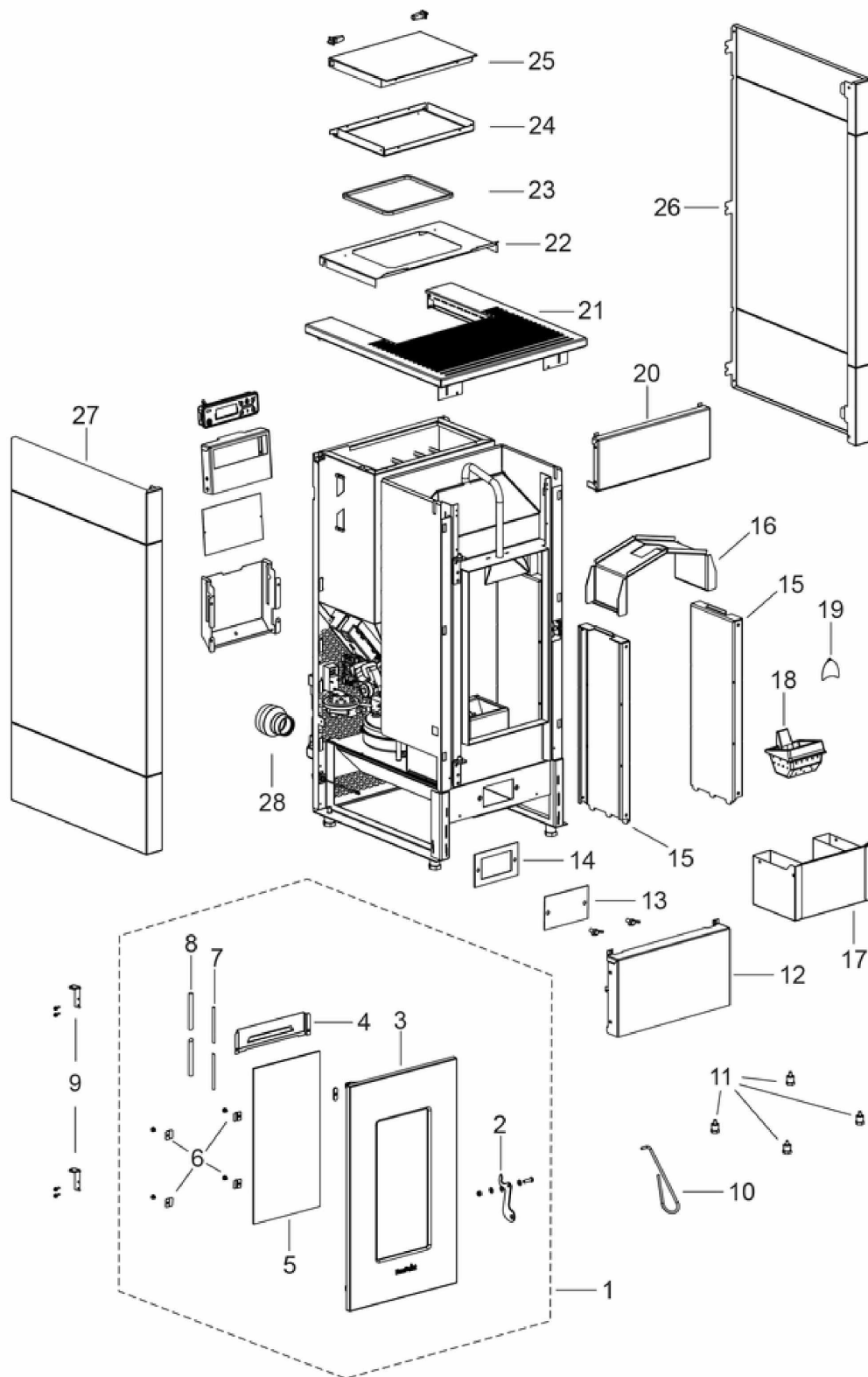


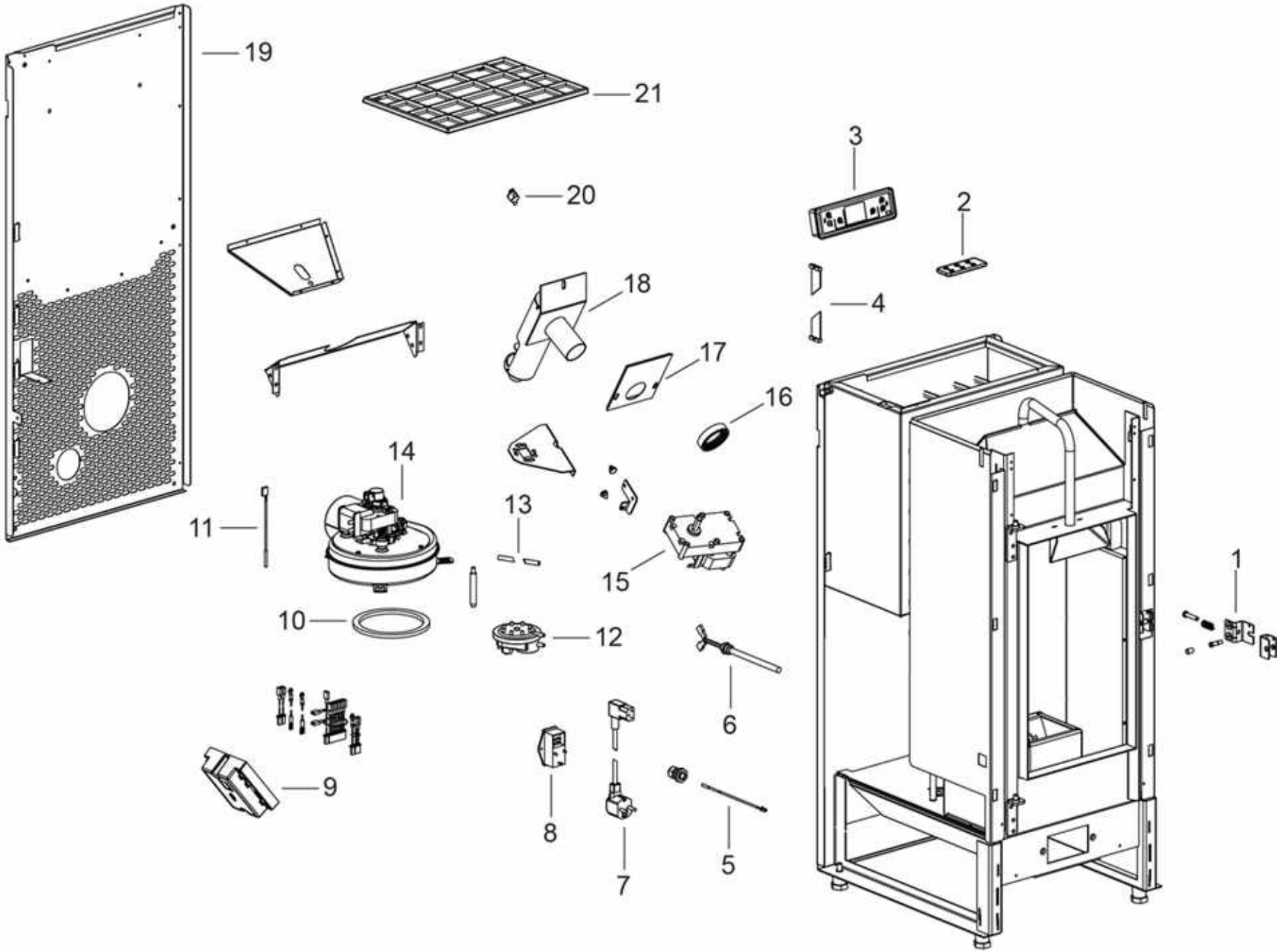
EASY

Componenti Struttura Esterna / External structure components / Bauteile Aussenkorpus / Composants structure externe / Componentes estructura externa



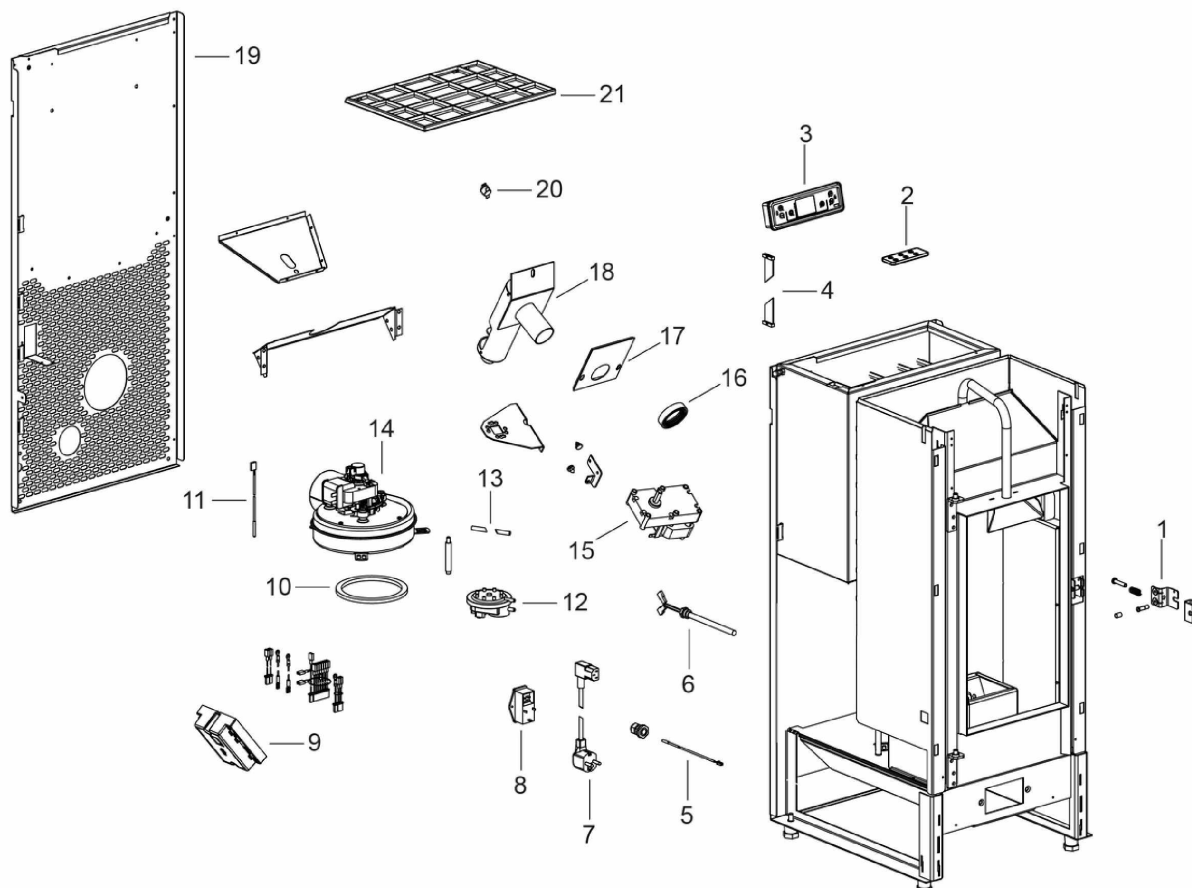
N°	Codice/Code	Descrizioni / Description / Beschreibung / Description / Descripcion	Prezzo (€)
1	4D245GP16004	Porta fuoco completa / Complete fire door / Komplette Feuertür / Porte foyer complete / Puerta hogar completa	194.00
2	4D24015868161	Maniglia / Handle / Griff / Poignée / Tirador	26.00
2	4D24015841361	Kit decompressione camera di combustione / Pressure relief kit / Bausatz Überdruckablauf Brennkammer / Kit decompression chambre de combustion / Kit decompression cámara de combustión	32.00
3	4D13015702061	Telaio porta fuoco nero 500° / Black door frame 500° / Türrahmen Ausführung Schwarz lackiert 500° / Cadre porte foyer Noir 500° / Armazón acabado negro 500°	118.00
4	4D241158273	Deflettore aria / Air deflector / Luft Leitblech / Deflecteur air / Deflector aire	34.00
5	4D170157040	Vetroceramico 379X193X4 / Ceramic glass 379X193X4 / Glaskeramikscheibe 379X193X4 / Vitrecerámique 379x193x4 mm / Cristal cerámico 379x193x4 mm	106.00
6	4D2401317703	Fermavetro (pz.2) / Glass fastening brackets (pcs.2) / Haltebügel für Scheibenbefestigung (stk.2) / Etrier de fixation de la vitre (pcs.2) / Retenedor del cristal (pz.2)	31.00
7	4D18013034A	Guarnizione Tricotex D.6mm (5m) / Gasket Tricotex D.6mm (5m) / Dichtung Tricotex D.6mm (5m) / Joint Tricotex D.6mm (5m) / Junta Tricotex D.6mm (5m)	32.00
7	4D18013034B	Guarnizione Tricotex D.6mm (50m) / Gasket Tricotex D.6mm (50m) / Dichtung Tricotex D.6mm (50m) / Joint Tricotex D.6mm (50m) / Junta Tricotex D.6mm (50m)	106.00
8	4D18013021A	Guarnizione treccia nera D.10 - 5 M / Black twist gasket D.10 - 5 M / Dichtung D.10 - 5 M / Joint tresse noire D.10 - 5 M / Junta D.10 - 5 M	33.00
8	4D18013021B	Guarnizione treccia nera D.10 - 50 M / Black twist gasket D.10 - 50 M / Dichtung D.10 - 50 M / Joint tresse noire D.10 - 50 M / Junta D.10 - 50 M	144.00
9	4D24015703361	Cerniere porta (2 pz) / Door hinges (2 pc.) / Tür Scharnier (2 Teile) / Charnières porte (2. pcs.) / Bisagras puerta (2 pz.)	35.00
10	4D12013060	Gancio "Mano fredda" / Hook "Cold hand" / Haken "Kalte Hand" / Crochet "Main froide" / Gancho "mano fría"	21.00
11	4D12013006	Piedini di appoggio (4 pz.) / Support feet (4 pcs.) / Einstellfüße (4 Stck.) / Vérins (4 pcs) / Pies de apoyo (4 pzs)	25.00
12	4D24015838396	Pannello frontale inferiore bianco / Frontal lower panel white / Unteres Frontpaneel weiss / Panneau frontal inferieur Blanc / Panel frontal inferior Blanco	44.00
12	4D24015838317	Pannello frontale inferiore moka / Frontal lower panel moka / Unteres Frontpaneel moka / Panneau frontal inferieur Moka / Panel frontal inferior Moka	56.00
12	4D24015838340	Pannello frontale inferiore Antracite / Frontal lower panel anthracite / Unteres Frontpaneel anthrazit / Panneau frontal inferieur Anthracite / Panel frontal inferior Anthracita	44.00
12	4D24015838391	Pannello frontale inferiore rosso / Frontal lower panel red / Unteres Frontpaneel rot / Panneau frontal inferieur Rouge / Panel frontal inferior Rojo	44.00
13	4D2401300111	Tappo ispezione vano fumi / Smoke compartment inspection plug / Inspektionskappe Rauchabzug / Clapet inspection compartiment fumées / Tapón inspección compartimento humos	21.00
14	4D18013001	Guarnizione 130x80 mm / Gasket 130x80 mm / Dichtung 130x80 mm / Joint 130x80 mm / Junta 130x80 mm	26.00
15	4D240158371	Laterale in acciaio / Steel side / Stahlseite / Latéral en acier / Lateral en acero	50.00
15	4D240158371	Laterale in acciaio / Steel side / Stahlseite / Latéral en acier / Lateral en acero	50.00
16	4D240158301	Deflettore / Deflector / Leitblech / Déflecteur / Deflector	35.00
17	4D24015834461	Cassetto cenere / Ash drawer / Aschenkasten / Tiroir à cendres / Cajón ceniza	91.00
18	4D130158010	Braciere / Grate / Brennschale / Braser / Braser	54.00
19	4D2401303101	Deflettore pellet / Pellet deflector / Pellet Leitblech / Deflecteur pellet / Deflector pellet	34.00
20	4D24015839361	Pannello frontale superiore nero 500° / Frontal upper panel black 500° / Oberes Frontpaneel schwarz 500° / Panneau frontal superieur noir 500° / Panel frontal superior negro 500°	46.00
21	4D24015840361	Coperchio nero 500° / Black cover 500° / Abdeckung schwarz 500° / Couvercle noir 500° / Tapadera negra 500°	111.00
22	4D24015867363	Supporto / Support / Haltebügel / Support / Soporte	44.00
23	4D18013016	Guarnizione 155X190 mm / Gasket 155X190 mm / Dichtung 155x190 mm / Joint 155X190 mm / Junta 155X190 mm	34.00
24	4D241157093	Supporto / Support / Haltebügel / Support / Soporte	45.00
25	4D24015740361	Coperchio serbatoio pellet / Pellet hopper cover / Deckel Pelletbehälter / Couvercle réservoir pellet / Tapadera depósito pellet	48.00
26	4D24015872396	Fianco DX metallo bianco / Metal white R. side / RE. Seite Metall Weiss / Côté droite acier Blanc / Lateral DCHO metal blanco	75.00
26	4D24015872317	Fianco DX metallo moka / Metal moka R. side / RE. Seite Metall Moka / Côté droite acier Moka / Lateral DCHO metal moka	72.00
26	4D24015872340	Fianco DX metallo antracite / Metal anthracite R. side / RE. Seite Metall Anthrazit / Côté droite acier Anthracite / Lateral DCHO metal antracita	72.00
26	4D24015872391	Fianco DX metallo rosso / Metal red R. side / RE. Seite Metall Rot / Côté droite acier Rouge / Lateral DCHO metal rojo	72.00
27	4D24015846396	Fianco SX metallo bianco / Metal white L. side / LI. Seite Metall Weiss / Côté gauche acier Blanc / Lateral IZDO	72.00

		metal blanco	
27	4D24015846317	Fianco SX metallo moka / Metal moka L. side / LI. Seite Metall Moka / Côté gauche acier Moka / Lateral IZDO metal moka	70.00
27	4D24015846340	Fianco SX metallo antracite / Metal antracite L. side / LI. Seite Metall Anthrazit / Côté gauche acier Anthracite / Lateral IZDO metal antracita	90.00
27	4D24015846391	Fianco SX metallo rosso / Metal red L. side / LI. Seite Metall Rot / Côté gauche acier Rouge / Lateral IZDO metal rojo	71.00
28	4D180150030	Raccordo / Connector / Anschlußrohr / Raccord / Racor	24.00
29	4D241157253	Supporto pannello comandi / Display support / Display halterung / Support pour le panneau de comande / Soporte panel de mandos	50.00



EASY

Componenti interni meccanici ed elettronici / Electronic and mechanic internal parts / Interne mechanische und elektronische Bauteile / Composants internes mécaniques et électroniques / Componentes internos electrónicos y mecánicos



N°	Codice/Code	Descrizioni / Description / Beschreibung / Description / Descripción	Prezzo (€)
1	4D24015841361	Kit decompressione camera di combustione / Pressure relief kit / Bausatz Überdruckablauf Brennkammer / Kit decompression chambre de combustion / Kit decompression cámara de combustión	32.00
2	5019012	Telecomando / Remote control / Fernbedienung / Télécommande / Mando a distancia	55.00
3	4D1451303300	Pannello comandi grafico / Graphic control panel / Graphische Bedienblende / Tableau de commande / Panel de mandos gráfico	138.00
4	4D145158020	Cavo flat scheda-pannello / Flat cable motherboard-control panel / Flat Kabel Hauptplatine-Bedienblende / Câble flat carte mère-panneau commande / Cable flat tarjeta madre-panel de mandos	29.00
5	4D145150100	Sonda ambiente / Room temperature sensor / Raumtemperaturfühler / Sonde température ambiance / Sonda ambiente	24.00
6	4D14513002	Candeletta / Sparkplug / Zündkerze Pelletzündung / Bougie / Bujia encendido pellet	50.00
7	4D14513041	Cavo alimentazione / Power source cable / Zündungskabel / Câble alimentation / Cable alimentación	25.00
8	4160193	Pulsante accensione / On/Off button / Zündungstaste / Touche d'allumage / Botón encendido	28.00
9	4D145157020	Scheda madre N100 / Motherboard N100 / Hauptplatine N100 / Carte mère N100 / Tarjeta madre N100	155.00
9	4D145157020A	Scheda madre N10064K / Motherboard N10064K / Hauptplatine N10064K / Carte mère N10064K / Tarjeta madre N10064K	155.00
10	4D18013024	Guarnizione / Gasket / Dichtung / Joint / Junta	26.00
11	4D145150060	Sonda fumi / Smoke sensor / Rauchsonde / Sonde fumées / Sonda humos	30.00
12	4160482	Pressostato 0,4 mbar / Pressure gauge 0,4 mbar / Druckwächter 0,4 mbar / Pressostat 0,4 mbar / Presostato 0,4 mbar	38.00

13	4120631A	Tubicino siliconico - 5m / Silicon tube - 5m / Silikonrohr - 5m / Petit tuyau en silicone - 5m / Tubo silicónico - 5m	22.00
14	4D145140150	Ventilatore fumi stagno / Air-tight smoke exhausted fan / Luftdichtes Rauchgasgebläse / Ventilateur fumées étanche / Ventilador humos hermético	121.00
14	41801600800	Guarnizione ventilatore fumi / Smoke exhaust fan gasket / Dichtung Rauchabsauggebläse / Joint Ventilateur aspiration fumées / Junta ventilador aspiración humos	22.00
15	4160278	Motoriduttore 1,5 RPM / Reduction motor 1,5 RPM / Getriebemotor 1,5 RPM / Motoréducteur 1,5 RPM / Motorreductor 1,5 RPM	103.00
15	4D145181010	Motoriduttore 1 RPM / Reduction motor 1 RPM / Getriebemotor 1 RPM / Motoréducteur 1 TPM / Motorreductor 1 RPM	104.00
15	4D241183763	Staffa coclea / Feed screw bracket / Förderschneckebugel / Etrier vis sans fin / Abrazadera cóclea	22.00
16	4D18013003	Guarnizione D.50 mm / Gasket D.50 mm / Dichtung D.50 mm / Joint D.50 mm / Junta D.50 mm	26.00
17	4D18013004	Guarnizione 100X108 mm / Gasket 100X108 mm / Dichtung 100x108 mm / Joint 100X108 mm / Junta 100X108 mm	28.00
18	4D140160030	Coclea di caricamento pellet / Pellet feed screw / Pelletsförderschnecke / Vis sans fin pour chargement du pellet / Cóclea de carga pellet	163.00
18	4D180177070	Coclea di caricamento pellet / Pellet feed screw / Pelletsförderschnecke / Vis sans fin pour chargement du pellet / Cóclea de carga pellet	141.00
18	4D180177010	Boccola / Bushing / Buchse / Douille / Abrazadera	23.00
18	4D241183763	Staffa coclea / Feed screw bracket / Förderschneckebugel / Etrier vis sans fin / Abrazadera cóclea	22.00
19	4D241158223	Schiena esterna / External back / Äußere Rückwand / Dossieret extérieur / Parte trasera	66.00
20	4D14513006	Termostato 60°C / Thermostat 60°C / Thermostat 60°C / Thermostat 60°C / Termostato 60°C	48.00
21	4D120157030	Griglia antintrusione / Hopper protection grille / Schutzgitter Pelletbehälter / Grille de protection réservoir / Rejilla de protección depósito	38.00