

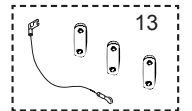
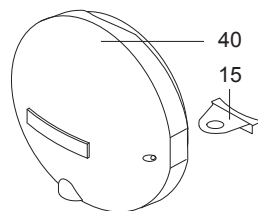
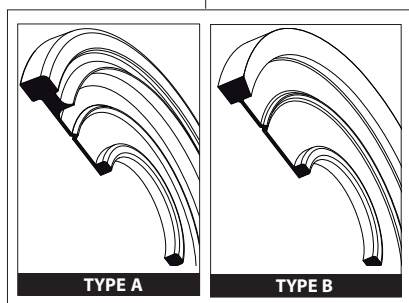
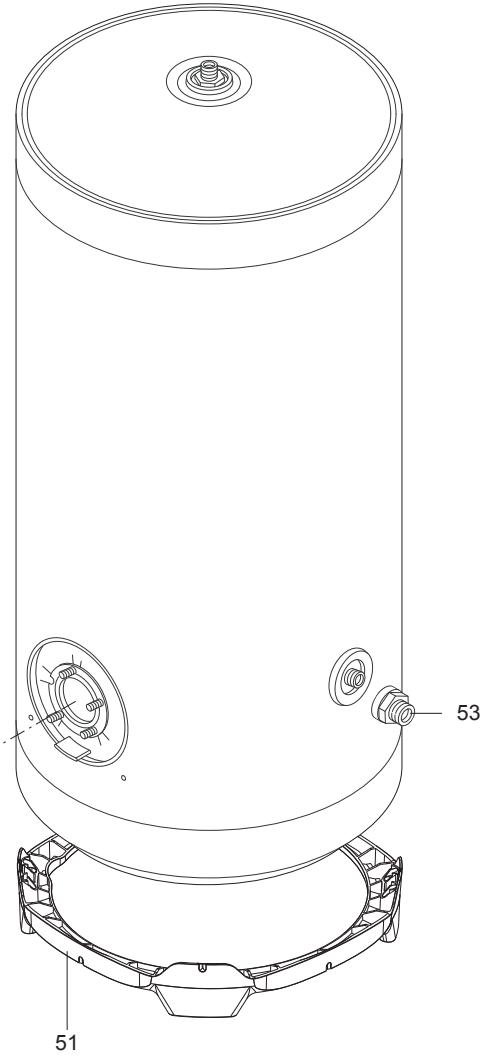
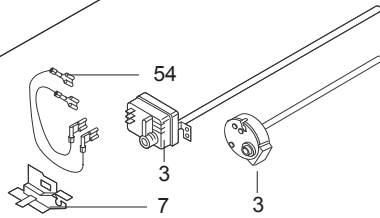
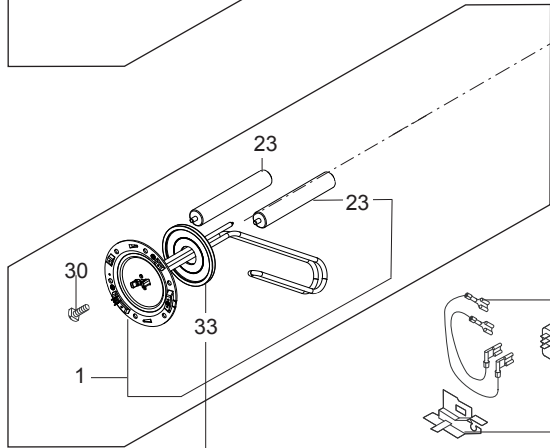
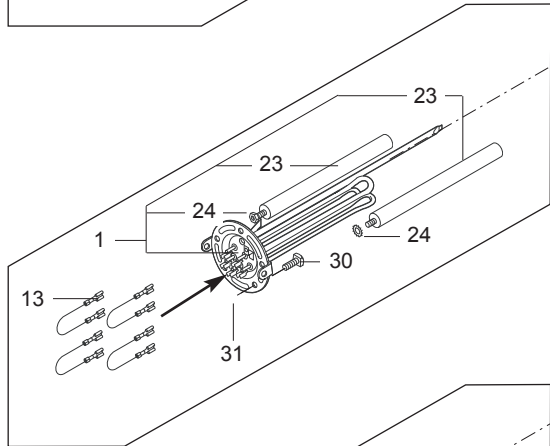
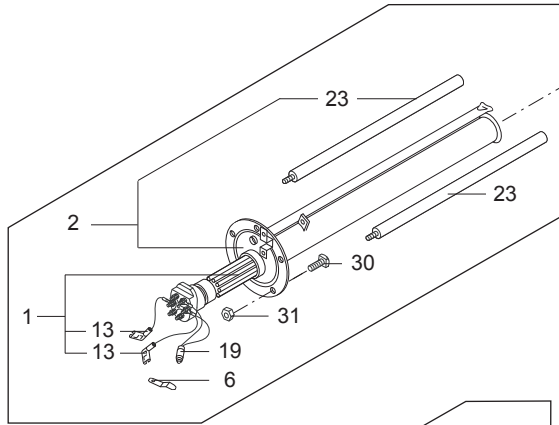
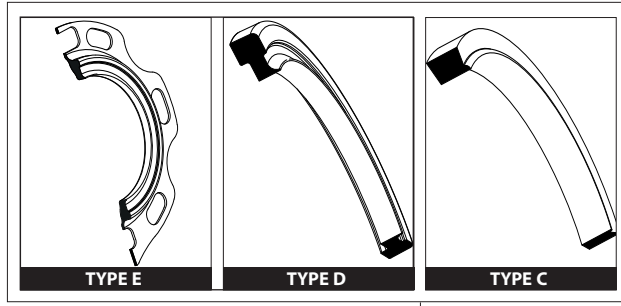
SPARE PARTS EXPLODED VIEW STORAGE ELECTRIC WATER HEATERS

Model

STABLE - STEA & THER

R8203312-10 - 16/11/2020

1	3010536	CE ALT 200 STB 560 STEA MT	03-2011	01-2014
2	3010537	CE ALT 250 STB 560 STEA MT	03-2011	01-2014
3	3010538	CE ALT 300 STB 560 STEA MT	03-2011	05-2012
4	3010527	CE ALT 300 STB 560 THER MT	03-2011	11-2015
5	3070442	CE ALT 200 STB 560 STEA MO EU	09-2015	02-2018
5	3000626	CE ALT 200 STAB 570 STEA MO EU	06-2016	-
6	3070443	CE ALT 250 STB 560 STEA MO EU	09-2015	02-2018
6	3000627	CE ALT 250 STAB 570 STEA MO EU	06-2016	-
7	3070444	CE ALT 300 STB 560 STEA MO EU	09-2015	02-2018
7	3000628	CE ALT 300 STAB 570 STEA MO EU	06-2016	-
8	3010733	CE ALT 300 STB 560 THER MO EU	09-2015	09-2017
8	000003060514	300 STAB 560 THER MO EU	12-2015	12-2016
8	3000629	CE ALT 300 STAB 570 THER MO EU	06-2016	-
8	3000706	CE ALT 200 STAB 570 THER MO EU	10-2020	-
8	3000707	CE ALT 250 STAB 570 THER MO EU	10-2020	-
9	3010789	CE ALT 300 STB 560 THER TM EU	09-2015	08-2016
Col	Reference	Model type	Begin	End



☉⇒	Description	Manf. Pt. N	Type	<div style="display: flex; justify-content: space-between; font-size: small;"> 200 L STEA250 L STEA300 L STEA300 L THER200 L STEA - EU250 L STEA - EU300 L STEA - EU200-250-300L T.MC-EU300 L THER TM - EU </div>																		From	to
				1	2	3	4	5	6	7	8	9	10	11	12	13	14	15	16	17	18		
0001	CERAMIC RESISTANCE 3000W 230V/380V	396010-01		•	•	•														09/13	08/13		
	CERAMIC RESISTANCE 3000W 230V/380V	60003127		•	•	•				•	•	•	•										
	HEATING ELEMENT 3000W 230V	60002701											•										
	HEATING ELEMENT 3000W 230V	60002709-01												•									
	HEATING ELEMENT 3000W 380V	60003309					•																
0002	FLANGE STEATITE D.105	60002696-01								•	•	•	•										
	FLANGE WITH ANODE	396037		•	•	•															03/12		
	FLANGE WITH ANODE	60001842		•	•	•														04/12	08/13		
	FLANGE WITH ANODE	60002197		•	•	•														09/13			
0003	THERMOSTAT	992162		•	•	•															03/12		
	THERMOSTAT	992162					•																
	THERMOSTAT (TBS PLUS 300 16A)	65101286											•										
	THERMOSTAT L:450	60001544								•	•	•	•										
	THERMOSTAT L:450	60001841		•	•	•														04/12			
	THERMOSTAT L:450	60002577												•									
0006	FIXING BRACKET	60072531		•	•	•				•	•	•								04/12			
0007	PLASTIC SEPARATOR	926084		•	•	•															03/12		
	THERMOSTAT SUPPORT	60001560								•	•	•	•										
0013	CABLE (PURPLE)+PLATE CONNECTION	61401781		•	•	•				•	•	•	•										
	LEAD	61401780		•	•	•				•	•	•	•										
	LEAD (BROWM)	61401779		•	•	•				•	•	•	•										
	WIRING (PURPLE) 2,5X100 (FASTON-FASTON)	925075					•																
0015	WIRE PIN BRACKET	60002702								•	•	•	•	•									
	WIRE PIN BRACKET	926124		•	•	•	•																
0023	ANODE D:21,3 L:430 M5-M8	61402252-01		•	•	•															03/12		
	ANODE D:21,3 L:430 M5-M8	61402252-01												•									
	ANODE D:25,5 L:380 M8	65102462								•	•	•	•										
	ANODE D:25.5 L:440 M8	60000797					•																
	ANODE D:25.5 L:440 M8	60000797		•	•	•														09/13			
	ANODE D:32,8 L:287 M8	61005400											•										
	ANODE D:33 L:350 M8	61314319		•	•	•														04/12	08/13		
0024	ANODE GASKET	61402251												•									
0030	SCREW M8X14 (6 PCES)	60000681											•										
	SCREW M8X14 (6 PCES)	60000681		•	•	•				•	•	•	•	•						04/12			
	SCREW M8X20	918064		•	•	•															03/12		
	SCREW M8X20	918064					•																
0031	NUT M8	918004		•	•	•															03/12		
	NUT M8	918004					•																
0033	FLANGE GASKET Ø105	60002699	TYPE A										•										
	FLANGE GASKET D121,7 X 105 X 11,5	60000682	TYPE C	•	•	•				•	•	•								04/12			
	FLANGE GASKET WITH 5 HOLES	60003308		•	•																03/12		
	FLANGE GASKET WITH 5 HOLES	60003308				•	•																
	FLANGE GASKET Ø 105	60000687	TYPE B										•										
	FLANGE GASKET Ø 105	60002697	TYPE D							•	•	•	•	•									
	FLANGE GASKET Ø 105	60002697	TYPE E							•	•	•	•	•	•								
0040	COVER	60002693		•	•	•	•			•	•	•	•	•	•								
0044	CABLE PACK	926283											•										
0051	SUPPORT D:505-560	60000803		•	•	•	•			•	•	•	•	•	•								
	SUPPORT D:570	60002411								•	•	•	•	•	•								
0053	DIELECTRIC FITTINGS 3/4"	65118634		•	•	•	•			•	•	•	•	•	•								
0054	WIRING 2,5 X 160 (FASTON - FASTON)	925025					•							•									

LIST OF THE ABBREVIATIONS

HW	: Hot water.
CW	: Cold water.
C	: Ceramic resistance (normal heating).
Ca	: Ceramic resistance (accelerated heating)
TP	: Immersion heater.
1F	: With fittings.
2F	: Without fittings.
3F	: With fittings and another outlet connection.
AMI	: With mixing valve.
SMI	: Without mixing valve.
PUISS	: Power of th appliance.
PN	: Appliance with normal pression.
LP	: Appliance with low pression.
PV	: Appliance with variable power.
PF	: Appliance with fixed power.

IDENTIFICATION PLATE

SERIAL NUMBER

9 Characters : 07 91 00301 (from 01/77 to 12/92)

Month of manufacture 07 91 Sequential number 00301
Year of manufacture 07 91

10 Characters : 95 01 065004 (from 01/93 to 06/95)

Year of manufacture 95 01 Sequential number 065004
Month of manufacture 95 01

OU

10 Characters : 01 95 065004 (from 07/95)

Month of manufacture 01 95 Sequential number 065004
Year of manufacture 01 95

12 Characters : 924 2 3 134 0115

Product reference 924 2 3 Sequential number 134 0115
Year of manufacture 924 2 3 Manufacturing day 134 0115

15 ou 16 Characters : (0)03 070 0001 893077 (from 01/97 to 01/05)

Year of manufacture (0)03 070 Product reference 893077
Day of manufacture (0)03 070 Sequential number 0001 893077

OU

16 Characters : 05 070 0001 0000000 (from 02/05)

Year of manufacture 05 070 Product reference 0001 0000000
Day of manufacture 05 070 Sequential number 0001 0000000

17 Characters : 07 070 00315 3070107

Year of manufacture 07 070 Product reference 00315 3070107
Sequential number 00315 3070107
Manufacturing day (70) 00315 3070107

21 Characters : 3000115 XX 08115 0000001

Product reference 3000115 XX Sequential number 08115 0000001
Year (08) / Manufacturing day (115) 08115 0000001

22 Characters : 3000115 XX 070416 0000001

Product reference 3000115 XX Sequential number 070416 0000001
Year (07) / Month (04) / Manufacturing day (16) 070416 0000001