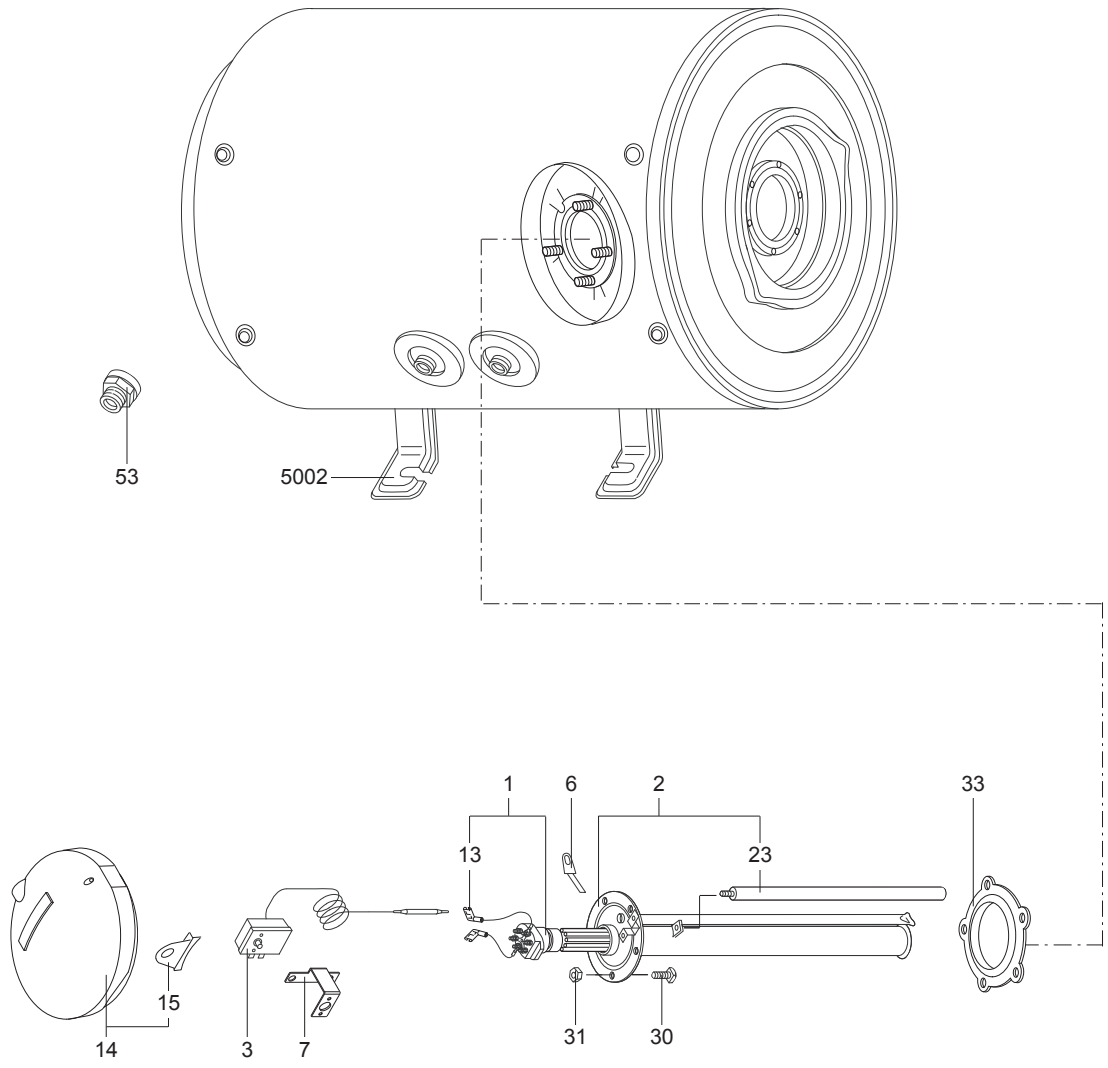




SPARE PARTS EXPLODED VIEW  
STORAGE ELECTRIC WATER HEATERS  
Model  
**HORIZONTAL - STEA - 04/2007 —> ...**

R8203139-06 - 05/11/2015

<b>1</b>	3010119	FLE 100 HORB 560 STEA MO	07-2007	12-2014
<b>2</b>	3010120	FLE 150 HORB 560 STEA MO	06-2007	12-2014
<b>3</b>	3010121	FLE 200 HORB 560 STEA MO	07-2007	12-2014
Col	Reference	Model type	Begin	End



☉⇒	Description	Manf. Pt. N	Type	<div style="display: flex; justify-content: space-between; align-items: center;"> <div style="transform: rotate(-45deg); font-size: small;">           100 L HORB 560            150 L HORB 560            200 L HORB 560         </div> <div style="border: 1px solid black; padding: 2px;"> </div> </div>																		From	to
				1	2	3	4	5	6	7	8	9	10	11	12	13	14	15	16	17	18		
0001	HEATING ELEMENT 2000W	396004-01		•	•	•																	
0002	FLANGE WITH ANODE	396037		•	•	•																	
0003	THERMOSTAT	60000954		•	•	•																	
0006	SUPPORT (ELEMENT)	65101298		•	•	•																	
0007	THERMOSTAT SUPPORT	60000955		•	•	•																	
0013	LEAD (BROWM)	61401779		•	•	•																	
0014	PLASTIC COVER	926166		•	•	•																	
0015	WIRE PIN BRACKET	926124		•	•	•																	
0023	ANODE D:21,3 L:430 M5-M8	61402252-01		•	•	•																	
0030	SCREW M8X20	918064		•	•	•																	
	SCREW M8X25	918001		•	•	•																	
0031	NUT M8	918004		•	•	•																	
0033	FLANGE GASKET WITH 5 HOLES	924001		•	•	•																	
0053	DIELECTRIC JOINT 3/4»	926195		•	•	•																	
<b>5000</b>	<b>ACCESSORIES</b>																						
5002	WALL FIXING BRACKET	290280		•	•	•														10/07			
	WALL FIXING BRACKET D:470-505-560	912006		•	•	•															09/07		

## LIST OF THE ABBREVIATIONS

HW .....	: Hot water.
CW .....	: Cold water.
C .....	: Ceramic resistance (normal heating).
Ca .....	: Ceramic resistance (accelerated heating)
TP .....	: Immersion heater.
1F .....	: With fittings.
2F .....	: Without fittings.
3F .....	: With fittings and another outlet connection.
AMI .....	: With mixing valve.
SMI .....	: Without mixing valve.
PUISS .....	: Power of th appliance.
PN .....	: Appliance with normal pression.
LP .....	: Appliance with low pression.
PV .....	: Appliance with variable power.
PF .....	: Appliance with fixed power.

## IDENTIFICATION PLATE

### SERIAL NUMBER

**9 Characters :** 07 91 00301 (**from 01/77 to 12/92**)

Month of manufacture 07 91 00301 Sequential number  
Year of manufacture 07 91 00301

**10 Characters :** 95 01 065004 (**from 01/93 to 06/95**)

Year of manufacture 95 01 065004 Sequential number  
Month of manufacture 95 01 065004

**OU**

**10 Characters :** 01 95 065004 (**from 07/95**)

Month of manufacture 01 95 065004 Sequential number  
Year of manufacture 01 95 065004

**12 Characters :** 924 2 3 134 0115

Product reference 924 2 3 134 0115 Sequential number  
Year of manufacture 924 2 3 134 0115 Manufacturing day

**15 ou 16 Characters :** (0)03 070 0001 893077 (**from 01/97 to 01/05**)

Year of manufacture (0)03 070 0001 893077 Product reference  
Day of manufacture (0)03 070 0001 893077 Sequential number

**OU**

**16 Characters :** 05 070 0001 0000000 (**from 02/05**)

Year of manufacture 05 070 0001 0000000 Product reference  
Day of manufacture 05 070 0001 0000000 Sequential number

**17 Characters :** 07 070 00315 3070107

Year of manufacture 07 070 00315 3070107 Product reference  
Sequential number  
Manufacturing day (70)

**21 Characters :** 3000115 XX 08115 0000001

Product reference 3000115 XX 08115 0000001 Sequential number  
Year (08) / Manufacturing day (115)

**22 Characters :** 3000115 XX 070416 0000001

Product reference 3000115 XX 070416 0000001 Sequential number  
Year (07) / Month (04) / Manufacturing day (16)