



SPARE PARTS EXPLODED VIEW STORAGE ELECTRIC WATER HEATERS

Model

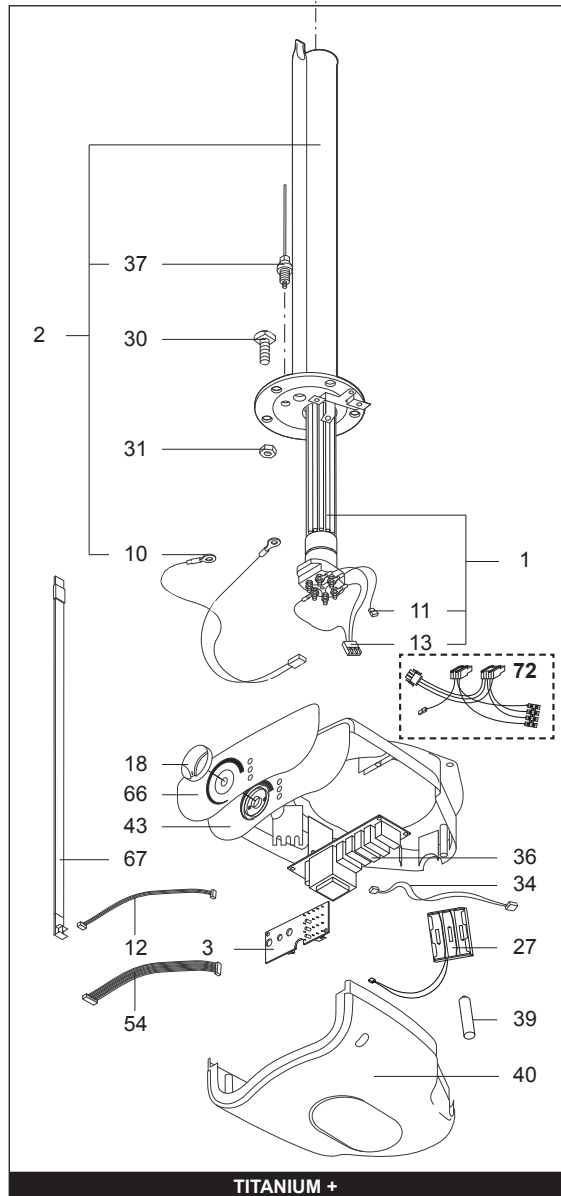
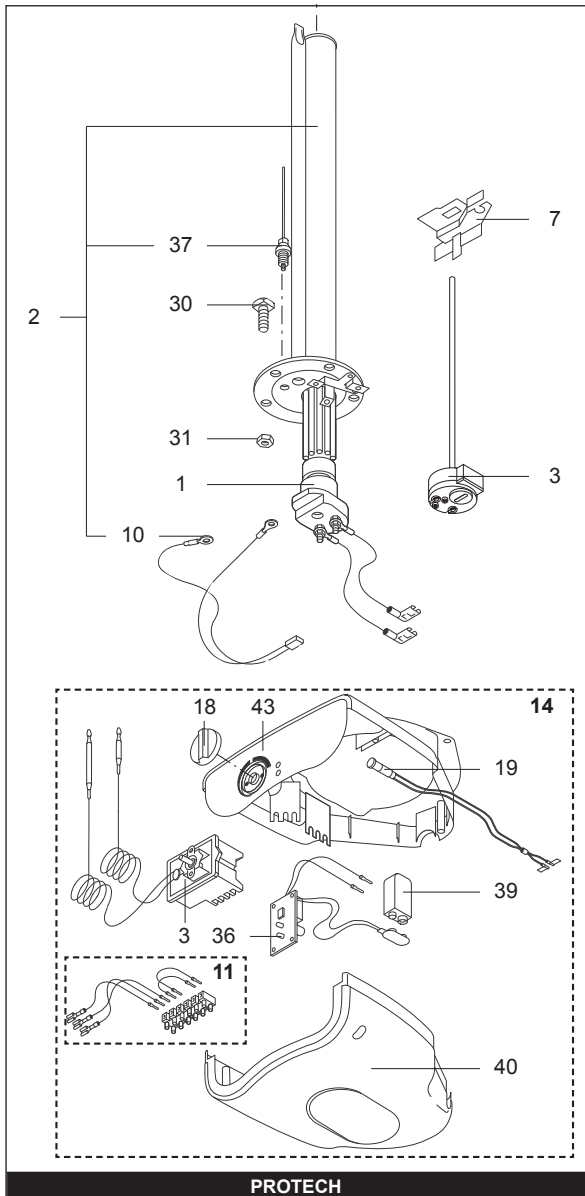
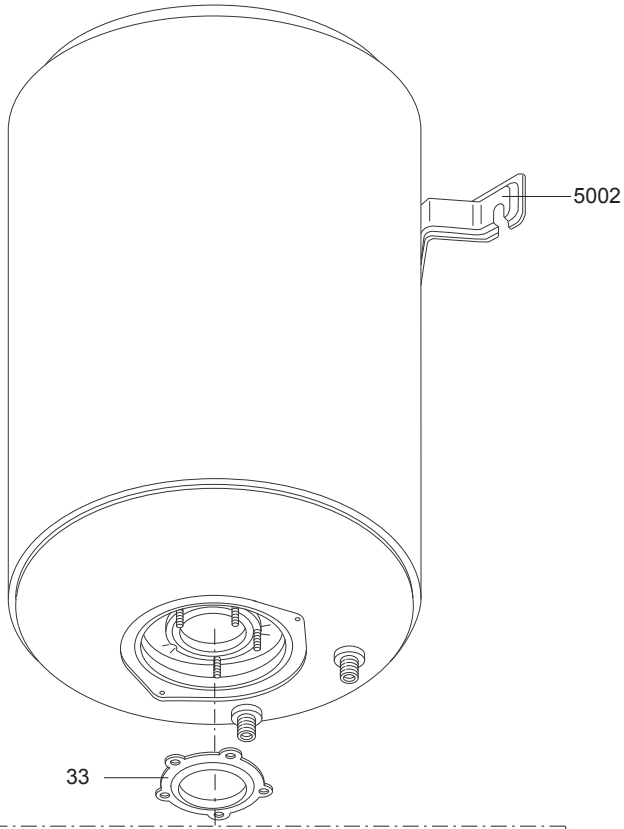
VERTICAL - PROT. & TIT.+ - ..—> 03/2007

R8203035-03 - 03/07/2013

VERTICAL - PROT. & TIT.+ - ... --> 03/2007

Storage Electric Water Heaters

1	892869	F LES 75 XVM Protech	01-2000	05-2004
1	892877	75 FL XVML PROTECH	01-2000	03-2007
1	892231	FL 75 PROTECH	12-2000	05-2004
2	892363	F LES 100 PROTECH	01-2000	12-2004
2	892878	100 FL XVML PROTECH	01-2000	03-2007
3	892364	F LES 150 PROTECH	01-2000	01-2005
3	892879	150 FL XVML PROTECH	01-2000	03-2007
3	892232	FL 150 PROTECH TRI	12-2000	05-2004
4	892365	F LES 200 PROTECH	01-2000	02-2005
4	892880	200 FL XVML PROTECH	01-2000	03-2007
4	892233	FL 200 PROTECH TRI	12-2000	05-2004
5	3010071	75 XVTL TITANIUM + FLECK	09-2006	03-2007
6	3010072	100 XVTL TITANIUM + FLECK	09-2006	03-2007
7	3010073	150 XVTL TITANIUM + FLECK	09-2006	03-2007
8	3010074	200 XVTL TITANIUM + FLECK	09-2006	03-2007
Col	Reference	Model type	Begin	End



LIST OF THE ABBREVIATIONS

HW	: Hot water.
CW	: Cold water.
C	: Ceramic resistance (normal heating).
Ca	: Ceramic resistance (accelerated heating)
TP	: Immersion heater.
1F	: With fittings.
2F	: Without fittings.
3F	: With fittings and another outlet connection.
AMI	: With mixing valve.
SMI	: Without mixing valve.
PUISS	: Power of th appliance.
PN	: Appliance with normal pression.
LP	: Appliance with low pression.
PV	: Appliance with variable power.
PF	: Appliance with fixed power.

IDENTIFICATION PLATE

SERIAL NUMBER

9 Characters : 07 91 00301 (from 01/77 to 12/92)

Month of manufacture _____ Sequential number
 Year of manufacture _____

10 Characters : 95 01 065004 (from 01/93 to 06/95)

Year of manufacture _____ Sequential number
 Month of manufacture _____

OU

10 Characters : 01 95 065004 (from 07/95)

Month of manufacture _____ Sequential number
 Year of manufacture _____

12 Characters : 924 2 3 134 0115

Product reference _____ Sequential number
 Year of manufacture _____ Manufacturing day

15 ou 16 Characters : (0)03 070 0001 893077 (from 01/97 to 01/05)

Year of manufacture _____ Product reference
 Day of manufacture _____ Sequential number

OU

16 Characters : 05 070 0001 0000000 (from 02/05)

Year of manufacture _____ Product reference
 Day of manufacture _____ Sequential number

17 Characters : 07 070 00315 3070107

Year of manufacture _____ Product reference
 Sequential number
 Manufacturing day (70)

21 Characters : 3000115 XX 08115 0000001

Product reference _____ Sequential number
 Year (08) / Manufacturing day (115)

22 Characters : 3000115 XX 070416 0000001

Product reference _____ Sequential number
 Year (07) / Month (04) / Manufacturing day (16)