



SPARE PARTS EXPLODED VIEW STORAGE ELECTRIC WATER HEATERS

Model

VERTICAL - TP - 04/2007 → ...

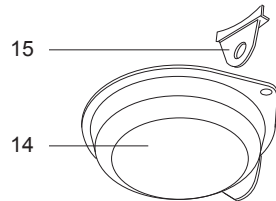
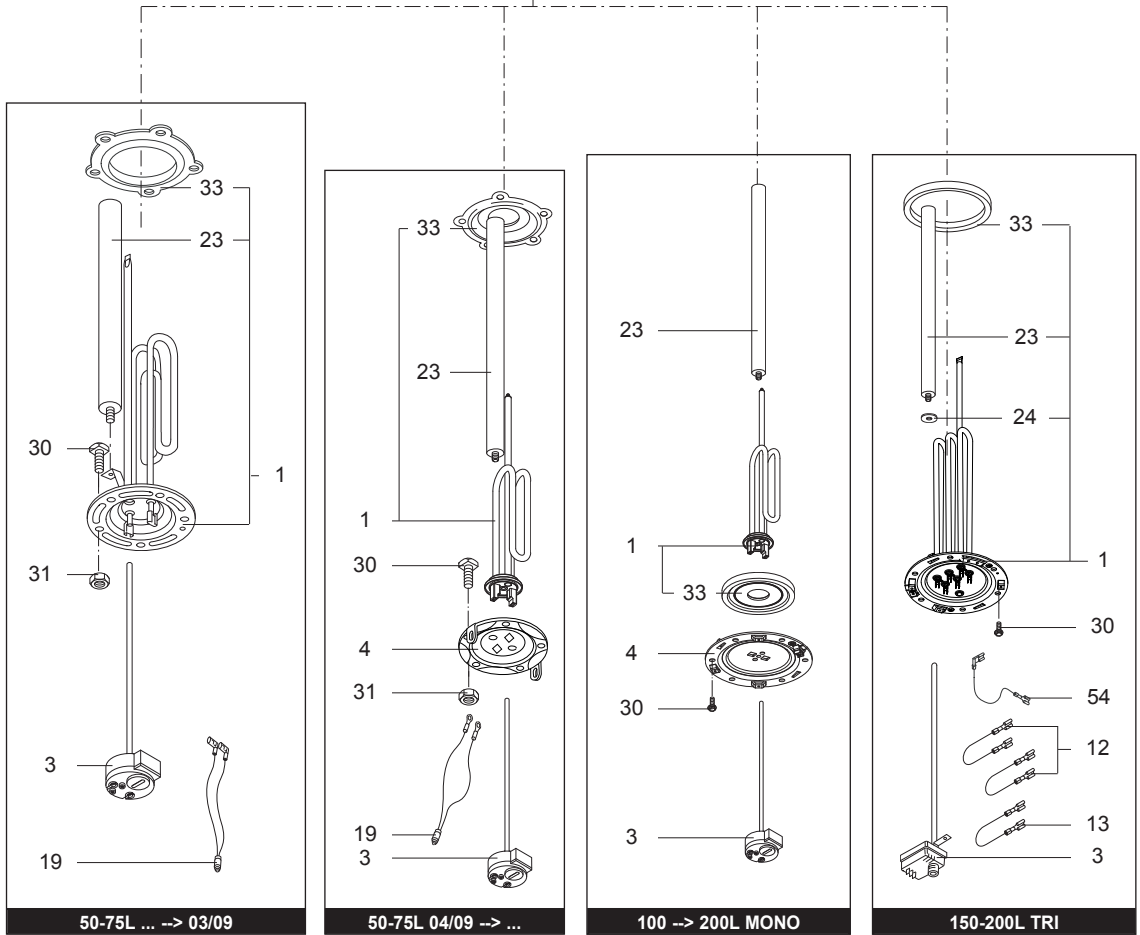
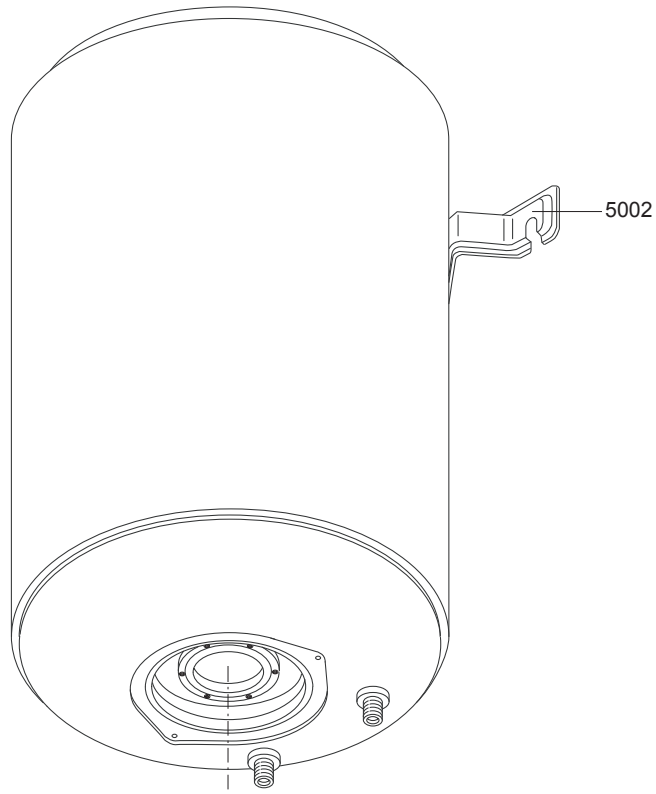
R8203099-08 - 08/04/2016

VERTICAL - TP - 04/2007 --> ...

Storage Electric Water Heaters

1	3010101	FLE 050 VERT 460 THER MO	05-2007	11-2015
2	3010102	FLE 075 VERT 460 THER MO	05-2007	11-2015
3	3010103	FLE 100 VERT 505 THER MO	05-2007	-
4	3010104	FLE 150 VERT 505 THER MO	05-2007	-
4	3010238	FLE 150 VERT 505 THER TR	07-2007	11-2015
5	3010105	FLE 200 VERT 505 THER MO	05-2007	-
5	3010239	FLE 200 VERT 505 THER TR	05-2007	11-2015
6	3010790	FLE 050 VERT 470 THER MO EU		
7	3010791	FLE 075 VERT 470 THER MO EU		
8	3000454	FLE 100 VERT 530 THER MO EU		
8	3010842	FLE 100 VERT 505 THER MO EU		
9	3000455	FLE 150 VERT 530 THER MO EU		
9	3000476	FLE 150 VERT 530 THER TR EU		
9	3010843	FLE 150 VERT 505 THER MO EU		
9	3010844	FLE 150 VERT 505 THER TR EU		
10	3000456	FLE 200 VERT 530 THER MO EU		
10	3000477	FLE 200 VERT 530 THER TR EU		
10	3010845	FLE 200 VERT 505 THER MO EU		
10	3010846	FLE 200 VERT 505 THER TR EU		

Col	Reference	Model type	Begin	End
-----	-----------	------------	-------	-----



☺→	Description	Manf. Pt N	Type																			
				1	2	3	4	5	6	7	8	9	10	11	12	13	14	15	16	17	18	From
0001	HEATING ELEMENT 1200W	61401776					•					•										
	HEATING ELEMENT 1200W	816096		•	•																03/09	
	HEATING ELEMENT 1200W 220-240V	65111787		•	•					•	•										02/13	
	HEATING ELEMENT 1200W 230V	816702		•	•																04/09	
	HEATING ELEMENT 1800W	60000688	MONO				•															
	HEATING ELEMENT 2200W	60000689	MONO					•														
	IMMERSION HEATER 1800W	60000707-01	TRI					•														
	IMMERSION HEATER 2400W	60000710-01	TRI							•												
0003	THERMOSTAT	691219	MONO	•	•																03/09	
	THERMOSTAT	691219	MONO			•	•	•				•	•	•								
	THERMOSTAT L:300	691216	MONO	•	•					•	•										04/09	
	THERMOSTAT L:450	60000708	TRI				•	•														
	THERMOSTAT L:450	60002573	TRI																			
	THERMOSTAT L:450	60002575	TRI																			
0004	FLANGE (5 HOLES)	65111789		•	•					•	•										02/13	
	FLANGE D.75	570407		•	•																04/09	
	MATING FLANGE	60000686	MONO			•	•	•				•	•	•								
0012	CABLE KIT (2 CABLES)	65100536	TRI																			
0013	CABLE (PURPLE) 2,5X100 (faston-faston)	925075	TRI																			
0014	COVER + RED SIGNAL	65108721-01		•																	02/08	
	PLASTIC COVER	60002276		•																	01/08	
	PLASTIC COVER	60002276			•	•	•	•														
	PLASTIC COVER	60002569								•	•											
	PLASTIC COVER	60002570																				
0015	CABLE BUSHING	65113517		•	•	•	•	•	•	•	•	•	•	•	•	•	•	•	•	•	•	11/13
	WIRE PIN BRACKET	926124		•	•	•	•	•	•													10/13
0019	SIGNAL LAMP	60000973		•																		02/08
	SIGNAL LAMP	993025								•												03/09
	SIGNAL LAMP	993025		•																		04/09
	SIGNAL LAMP	993186		•																		11/13
0023	ANODE D:21,3 L:390 M5-M8	993312-01		•	•																	03/09
	ANODE D:21,3 L:430 M5-M8	61402252-01	MONO				•	•							•	•						
	ANODE D:21,3 L:430 M5-M8	61402252-01	TRI				•								•							
	ANODE D:21,3 L:550 M5-M8	993207-01	TRI					•														
	ANODE D:25,5 L:230 M5-M8	993014-01					•															
	ANODE D:25,5 L:230 M5-M8	993014-01		•	•					•	•											04/09
0024	ANODE GASKET	61402251					•	•							•	•						
0030	SCREW M6X20	65151225		•	•							•	•									02/13
	SCREW M8X14 (6 PCES)	60000681					•	•							•	•	•					
	SCREW M8X20	918064		•	•																	01/13
0031	LOCK NUT M6	994140		•	•					•	•											02/13
	NUT M8	918004		•	•																	01/13
0033	FLANGE GASKET	65111788		•	•					•	•											02/13
	FLANGE GASKET D.75	570393		•	•																	04/09
	FLANGE GASKET D:121.7-105-11.5	60000682	TRI				•	•							•	•						
	FLANGE GASKET WITH 5 HOLES	924001		•	•																	03/09
	FLANGE GASKET Ø 105	60000687	MONO				•	•	•						•	•	•					
0054	LEAD (BROWN) 2,5X160 (faston-faston)	925025	TRI				•	•							•	•						
5000	ACCESSORIES																					
5002	WALL FIXING BRACKET D:470-505-560	912006		•	•	•	•	•	•		•	•	•	•								
	WALL FIXING BRACKET D:530	60002292													•	•	•					

LIST OF THE ABBREVIATIONS

HW	: Hot water.
CW	: Cold water.
C	: Ceramic resistance (normal heating).
Ca	: Ceramic resistance (accelerated heating)
TP	: Immersion heater.
1F	: With fittings.
2F	: Without fittings.
3F	: With fittings and another outlet connection.
AMI	: With mixing valve.
SMI	: Without mixing valve.
PUISS	: Power of th appliance.
PN	: Appliance with normal pression.
LP	: Appliance with low pression.
PV	: Appliance with variable power.
PF	: Appliance with fixed power.

IDENTIFICATION PLATE

SERIAL NUMBER

9 Characters :	07 91 00301	(from 01/77 to 12/92)
Month of manufacture	_____ _____ _____	_____ _____ Sequential number
Year of manufacture	_____ _____	_____
10 Characters :	95 01 065004	(from 01/93 to 06/95)
Year of manufacture	_____ _____ _____	_____ _____ Sequential number
	_____ _____	_____ Month of manufacture
OU		
10 Characters :	01 95 065004	(from 07/95)
Month of manufacture	_____ _____ _____	_____ _____ Sequential number
	_____ _____	_____ Year of manufacture
12 Characters :	924 2 3 134 0115	
Product reference	_____ _____ _____	_____ _____ Sequential number
Year of manufacture	_____ _____	_____ Manufacturing day
15 ou 16 Characters :	(0)03 070 0001 893077	(from 01/97 to 01/05)
Year of manufacture	_____ _____ _____	_____ _____ Product reference
Day of manufacture	_____ _____	_____ Sequential number
OU		
16 Characters :	05 070 0001 0000000	(from 02/05)
Year of manufacture	_____ _____ _____	_____ _____ Product reference
Day of manufacture	_____ _____	_____ Sequential number
17 Characters :	07 070 00315 3070107	
Year of manufacture	_____ _____ _____	_____ _____ Product reference
	_____ _____	_____ _____ Sequential number
	_____ _____	_____ Manufacturing day (70)
21 Characters :	3000115 XX 08115 0000001	
Product reference	_____ _____ _____	_____ _____ Sequential number
	_____ _____	_____ Year (08) / Manufacturing day (115)
22 Characters :	3000115 XX 070416 0000001	
Product reference	_____ _____ _____	_____ _____ Sequential number
	_____ _____	_____ Year (07) / Month (04) / Manufacturing day (16)

The indications mentioned on the prices, commercial or technical literature and the scheme are written for your guidance and are available at a given time. The CONSTRUCTOR retains the power to modify the presentation, the form, the size, the conception or the material of the products.